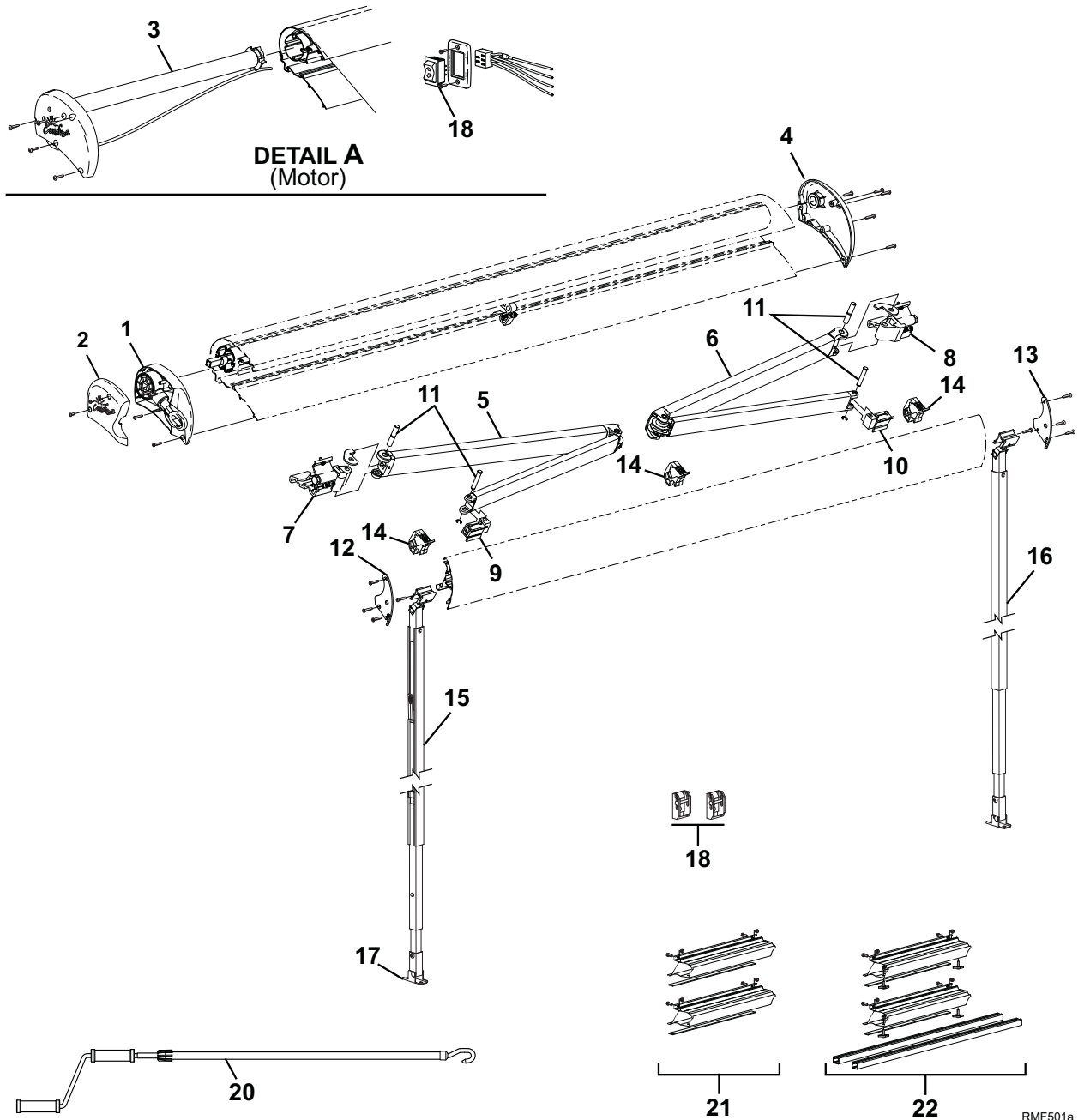


# FREEDOM RM ILLUSTRATED PARTS LIST



| <b>Item</b> | <b>Part Number</b> | <b>Description</b>                             | <b>Notes</b>                  |
|-------------|--------------------|--|-------------------------------|
| <b>1</b>    | R001593WHT         | Crank Assy, White                              |                               |
|             | R001593BLK         | Crank Assy, Black                              |                               |
|             | R001593SAT         | Crank Assy, Satin                              |                               |
| <b>2</b>    | R037361-005        | Endcap Outer, Manual, LH, White                |                               |
|             | R037361-006        | Endcap Outer, Manual, LH, Black                |                               |
|             | R037361-001        | Endcap Outer, Manual, LH, Satin                |                               |
| <b>3</b>    | R001647WHT         | Motor Assembly, White                          | 3,4                           |
|             | R001647BLK         | Motor Assembly, Black                          | 3,4                           |
|             | R001647SAT         | Motor Assembly, Satin                          | 3,4                           |
| <b>4</b>    | R001594WHT         | Endcap Assy, RH, White                         |                               |
|             | R001594BLK         | Endcap Assy, RH, Black                         |                               |
|             | R001594SAT         | Endcap Assy, RH, Satin                         |                               |
| <b>5</b>    | R012530-TB68L      | Spring Arm Assy, LH                            | Used with 2.44 Meter 1        |
|             | R012530-TB76L      | Spring Arm Assy, LH                            | Used with 2.57 Meter          |
|             | R012530-TB94L      | Spring Arm Assy, LH                            | Used with 3 Meter & Up 1      |
| <b>6</b>    | R012530-TB68R      | Spring Arm Assy, RH                            | Used with 2.44 Meter 1        |
|             | R012530-TB76R      | Spring Arm Assy, RH                            | Used with 2.57 Meter 1        |
|             | R012530-TB94R      | Spring Arm Assy,RH                             | Used with 3 Meter & Up 1      |
| <b>7</b>    | R019280-001        | Connector Assy, Case, LH                       | 1                             |
| <b>8</b>    | R019280-002        | Connector Assy, Case, RH                       | 1                             |
| <b>9</b>    | R019269-003        | Connector Assy, Lead Rail, LH                  | 1                             |
| <b>10</b>   | R019269-002        | Connector Assy, Lead Rail, RH                  | 1                             |
| <b>11</b>   | R001595            | Hardware Pack, Arm Attach, 1 Arm               |                               |
| <b>12</b>   | R035389-005        | Lead Rail End Plate, LH, White                 |                               |
|             | R035389-006        | Lead Rail End Plate, LH, Black                 |                               |
|             | R035389-001        | Lead Rail End Plate, LH, Satin                 |                               |
| <b>13</b>   | R035388-005        | Lead Rail End Plate, RH, White                 |                               |
|             | R035388-006        | Lead Rail End Plate, RH, Black                 |                               |
|             | R035388-001        | Lead Rail End Plate, RH, Satin                 |                               |
| <b>14</b>   | R001658            | Ramp Kit                                       | 5                             |
| <b>15</b>   | R001655-001        | Vertical Support Leg, LH                       | Used with 3 Meter & smaller 6 |
|             | R001655-002        | Vertical Support Leg, LH                       | Used with 3.5 Meter & Up 6    |
| <b>16</b>   | R001655-101        | Vertical Support Leg, RH                       | Used with 3 Meter & smaller 6 |
|             | R001655-102        | Vertical Support Leg, RH                       | Used with 3.5 Meter & Up 6    |
| <b>17</b>   | R00394             | Carport Foot                                   |                               |
| <b>18</b>   | R019283-005        | Kit, Bottom Bracket, White                     | qty: 2                        |
|             | R019283-006        | Kit, Bottom Bracket, Black                     | qty: 2                        |
|             | R019283-001        | Kit, Bottom Bracket, Satin                     | qty: 2                        |
| <b>19</b>   | R001605            | Switch Kit                                     |                               |
| <b>20</b>   | R001546-RP         | Crank Handle                                   |                               |
| <b>21</b>   | R014644-001        | Bracket Kit (includes 2 brackets and hardware) | Flat Roof                     |
| <b>22</b>   | R014644-002        | Bracket Kit (includes 2 brackets and hardware) | Sprinter Roof 2               |

- Notes:
1. Attaching hardware not included with assemblies. Order item 11.
  2. Sprinter brackets require the Sprinter roof channel . Substitute channels included in kit for vehicles without the OEM installed channels.
  3. Motor assy (tem 3) includes motor, bearing, one-way drive and end cap. Motor components not available separately.
  4. A motor upgrade kit (SR0098XXX) is available for manual crank awnings and includes motor assembly (item 3), switch kit (item 18) and attaching hardware.
  5. Ramp kit (item 14) contains 3 each ramp assemblies.
  6. Original vertical support legs uses a gray flipper latch. Replacement latch kit is R00144. Kit not available if leg has orange flipper latch.