

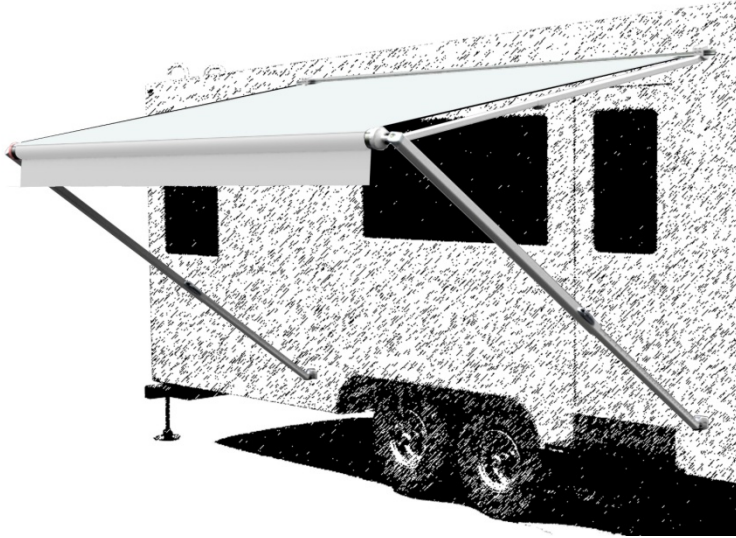


# SERVICE MANUAL

## MANUALLY OPERATED PATIO AWNING

**FIESTA, FIESTA LITE, SPIRITFX AND SIMPLICITY AWNINGS**

**RV**



*These instructions apply to all models listed. Details and procedures unique to a specific model are labeled appropriately. For optional equipment, refer to the instructions included with the option.*

### TABLE OF CONTENTS

<b>Product Overview</b> .....	<b>1</b>
<b>Canopy Replacement</b> .....	<b>2</b>
Removing the Old Canopy .....	2
Installing the New Canopy .....	3
Positioning the Canopy: .....	4
Installing the Trainers .....	5
<b>Spring Replacement</b> .....	<b>6</b>
Replacing the Left Spring Assembly .....	6
Replacing the Right Spring Assembly .....	7
Spring Wind Chart .....	8
<b>Remote Lock Replacement (Spirit and Fiesta Only)</b> .....	<b>8</b>
<b>LED Lighting</b> .....	<b>9</b>
Switch Installation .....	9
Replacing the LED Strip .....	10
Canopy Harness Replacement .....	11
Attaching the Harness to Fabric Wrap .....	12
<b>Standard Maintenance</b> .....	<b>13</b>
Fabric Care .....	13
Arm Care .....	13
<b>Part Number Listing</b> .....	<b>14</b>
Spirit FX & Fiesta Part Number Configuration .....	14
Simplicity Part Number Configuration .....	15
Part Number/Serial Number Location .....	15
Spirit FX and Fiesta Illustrated Parts List .....	16
Simplicity Illustrated Parts List .....	18
Fiesta Lite Illustrated Parts List .....	20
Roller Tube LED .....	22

## PROPRIETARY STATEMENT

The manual Patio Awning is a product of Carefree of Colorado, located in Broomfield, Colorado, USA. The information contained in or disclosed in this document is considered proprietary to Carefree of Colorado. Every effort has been made to ensure that the information presented in the document is accurate and complete. However, Carefree of Colorado assumes no liability for errors or for any damages that result from the use of this document.

The information contained in this manual pertains to the current configuration of the models listed on the title page. Earlier model configurations may differ from the information given. Carefree of Colorado reserves the right to cancel, change, alter or add any parts and assemblies, described in this manual, without prior notice.

Carefree of Colorado agrees to allow the reproduction of this document for use with Carefree of Colorado products only. Any other reproduction or translation of this document in whole or part is strictly prohibited without prior written approval from Carefree of Colorado.

## SAFETY INFORMATION

---

**⚠ WARNING** A WARNING INDICATES A POTENTIALLY HAZARDOUS SITUATION WHICH, IF NOT AVOIDED, COULD RESULT IN DEATH OR SERIOUS INJURY AND/OR MAJOR PROPERTY DAMAGE.

---

**⚠ CAUTION** A caution indicates a potentially hazardous situation that may cause minor to moderate personal injury and/or property damage. It may also be used to alert against unsafe practices.

**NOTE:** A note indicates further information about a product, part, or step.

*Tip:* A tip provides helpful suggestions.

### Safety Notes:

- To avoid shock hazard and/or accidental system shorting, always disconnect battery or power source before working on or around the electrical system.
- Always wear appropriate safety equipment (i.e. goggles).
- Awnings have significant weight. Always use appropriate lifting devices and/or helpers when lifting or holding heavy objects.
- When using fasteners, use care to not over tighten. Soft materials such as fiberglass and aluminum can be "stripped out" and lose the ability to grip and hold.
- Use extreme care when working with the roller springs. Springs are under tremendous tension and will quickly unwind if released. Possible injury and/or damage may occur.

## PRODUCT OVERVIEW

Carefree's line of traditional manual awnings provide the RV owner with choices of multiple fabrics and options while having some of the strongest and longest lasting hardware in the industry.

- **Fiesta** – The adjustable arms allow the user to adjust the pitch of the awning or can be placed in the carport position when desired. Additional refinements include a remote lock, storage travel locks and canopy clamps to help tension the fabric.
- **Fiesta Lite** – The adjustable arms allow the user to adjust the pitch of the awning or can be placed in the carport position when desired. Additional refinements include a remote lock and storage travel straps and canopy clamps to help tension the fabric. The Fiesta Lite has 16% less weight than the Fiesta (weight comparison based on 14' model, other sizes may vary).

Additional fabrics with Weatherguard or Alumaguard (Fiesta Only) are available.

**NOTE:** The Simplicity and Spirit FX Models have been discontinued as of January, 2013. These products are no longer available for new product installation. References to the Spirit and Simplicity are for service only.

### FEATURES

	EXTENSION <sup>1</sup>	AVAILABLE LENGTHS	BRAKE LEVER RELEASE	ARM TRAVEL LOCK METHOD	ROLLER TUBE SERIES	CANOPY CLAMP
Fiesta	8' <sup>1</sup>	8' to 25'	Remote Lock	Storage Lock	3.5" (4-slot)	Standard
Fiesta Lite	8'	10' to 21'	Remote Lock	Arm Strap	3.5" (4-slot)	n/a

#### HARDWARE COLOR:

White w/ White Castings; Black w/ Black Castings; Satin w/ Black Castings (Fiesta Only)

#### FABRIC OPTIONS <sup>2</sup>

VINYL W/ WEATHERGUARD, FLXGUARD OR ALUMAGUARD    ACRYLIC W/ FLXGUARD OR ALUMAGUARD

#### ADDITIONAL OPTIONS <sup>2</sup>

LED LIGHTING    TIE DOWN STRAPS    CURVED HARDWARE <sup>5</sup>    CENTER RAFTER <sup>3,4</sup>    ADD-A-ROOM <sup>3,4</sup>

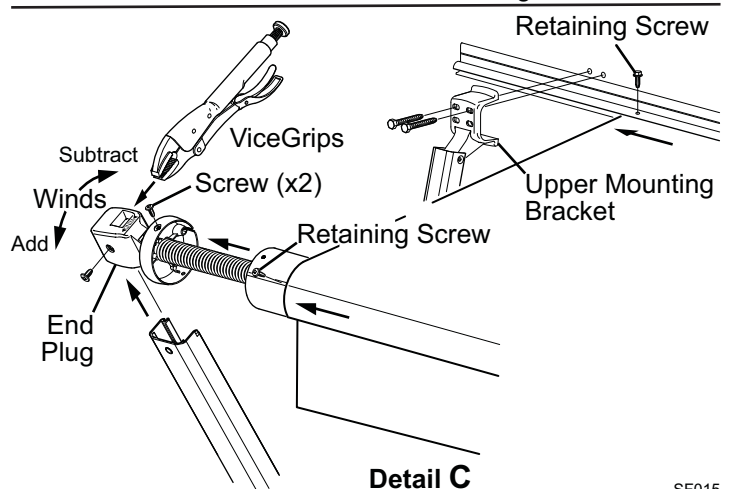
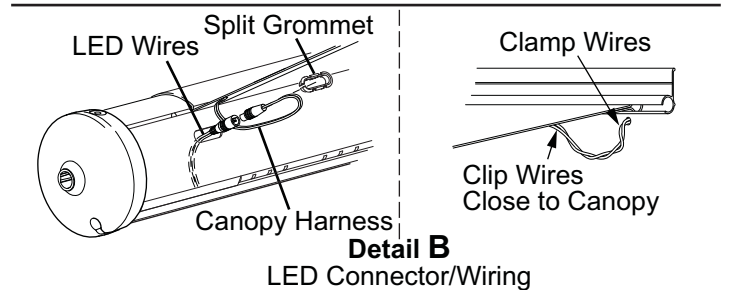
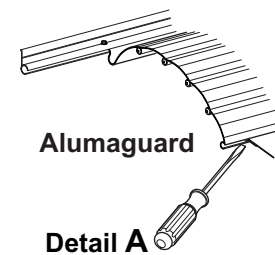
- Notes:
1. Optional Hi-Lo Awnings have an extension of 6' 6".
  2. Some options may not be available through Original Equipment Manufacturer Installations.
  3. Consult the sales and order information for specific application availability.
  4. Options are ordered separately.
  5. Curved Hardware is not available for Simplicity or Fiesta Lite. Limited styles for Spirit/Fiesta.

# CANOPY REPLACEMENT

**⚠️ WARNING** THIS PROCEDURE REQUIRES WORKING WITH THE ROLLER SPRINGS. WHEN REMOVED FROM THE ARM, THE SPRING IS UNDER EXTREME TENSION AND WILL UNWIND QUICKLY. KEEP HANDS AND CLOTHING CLEAR WHILE FIRMLY HOLDING THE VICE GRIPS! DO NOT TRY TO HOLD THE END PLUG BY HAND. FAILURE TO FOLLOW THE INSTRUCTIONS CAN RESULT IN PERSONAL INJURY AND PROPERTY DAMAGE.

## REMOVING THE OLD CANOPY

1. Remove the fabric retaining screws located in the roller tube and the awning rail (4 in total). Set screws aside.
2. Extend the awning out completely.
3. On the right side, lift and lock the upper brace in position. Tape the roller lock in the OPEN position.
4. Remove the fabric retaining screws in the roller tube.
5. *For full fabric canopy with Weatherguard or FLXguard or canopies complete with Alumaguard:* Remove the fabric retaining screws from the awning rail.
6. *(Detail A) For canopy only replacement for units with Alumaguard.* The fabric is crimped into the aluminum slat. Use a large flat screw driver or similar tool to spread open the crimp on both sides of the fabric.
7. *(Detail B) For awnings with LEDs:*
  - 7.1. Remove the split grommet in the roller tube.
  - 7.2. Carefully pull out the LED harness connectors. Use care that the connectors do not separate while pulling out of the slot.
  - 7.3. Disconnect the harness connectors.
  - 7.4. Clamp or tape the wire and connector from the LED strip so that it does not slip back into the roller tube.
  - 7.5. At the awning rail, clip the harness close to the canopy. Clamp the harness to prevent it from falling inside the wall.
8. On the left side of the awning, remove the upper mounting bracket from the coach wall. Allow the brace to pivot out of the way.
9. On the left arm, grasp the end plug firmly with vice grips. Pad the grip teeth to prevent damage or marring on the end plug.
10. Remove the attaching screw and remove the end plug from the arm while firmly holding onto the vice grips.
11. Hold onto the arm and move it out of the way when the end plug is removed.
12. Support the roller tube.
13. Carefully count the number of turns while unwinding the spring. To unwind, rotate the end plug over the top and towards the coach.
14. Remove the screws attaching the end cap to the roller tube.
15. Remove the spring from the roller tube and set aside.
16. Mark the slots that the canopy is mounted in then slide the old canopy out from the roller tube and awning rail.



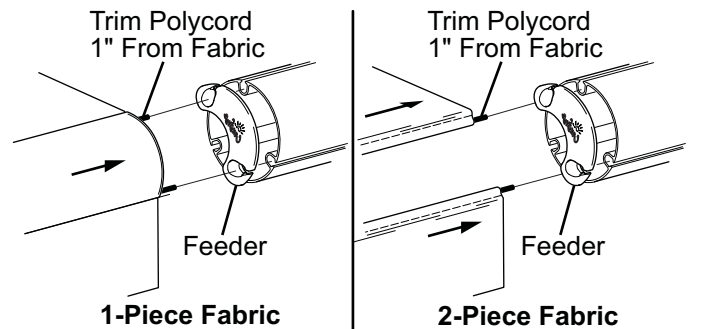
SF015

## INSTALLING THE NEW CANOPY

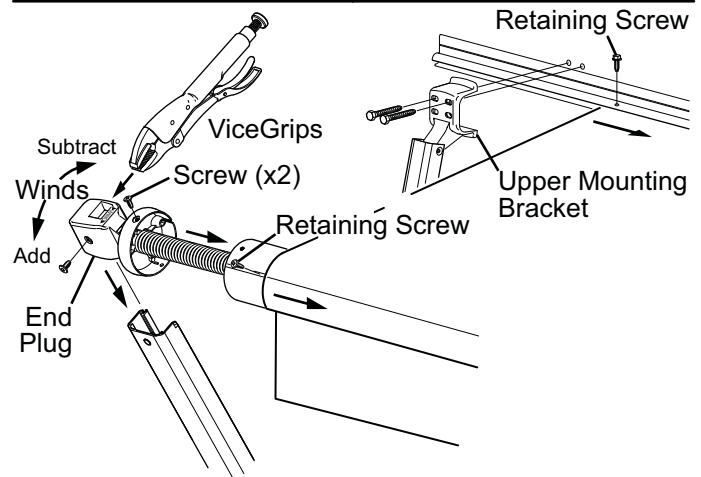
1. Clean and deburr the roller tube slots and awning rail/Alumaguard as required. If not previously done, spread open the awning rail track to facilitate inserting the new fabric.

*Tip: Lightly spraying the slots with a dry silicone lubricant will help the fabric slide into the slot without staining the material.*

2. Position the fabric feeders on the roller tube. Be sure to use the same slots as the old canopy.
3. Slide the new canopy into the awning rail and roller tube simultaneously.
  - 3.1. For a one piece canopy it will be necessary to slide the canopy and valance at the same time.
  - 3.2. For two piece replacements, slide the canopy in first then slide the valance in the second slot.

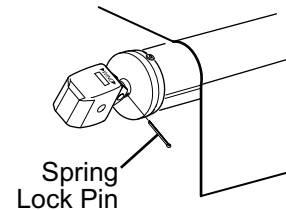


4. Remove the feeders.
5. Attach the upper mounting bracket to the coach.
6. Slide the spring into the roller tube. Align the end cap on the roller tube then press onto the roller tube completely. The roller tube should bottom out inside the cap.
7. Attach the end cap to the roller tube with the screws removed previously.
8. Grasp the end plug with vice grips and turn the spring to add winds. To wind, rotate the end plug over the top and away from the vehicle. One complete turn equals one wind. The number of turns must equal the same as the number removed previously.



**⚠CAUTION** The spring is under extreme tension; when the end plug is not attached to the arm channel the spring will unwind quickly. Keep hands and clothing clear while **FIRMLY** holding the vice grips! Do not try to hold the end plug by hand.

9. Temporarily insert a cotter pin through the cap and spring.
10. Slide the end plug over arm channel. Align the holes and secure using the screw removed previously.



SF015b

*Positioning the Canopy:*

11. *Alumaguard applications:*

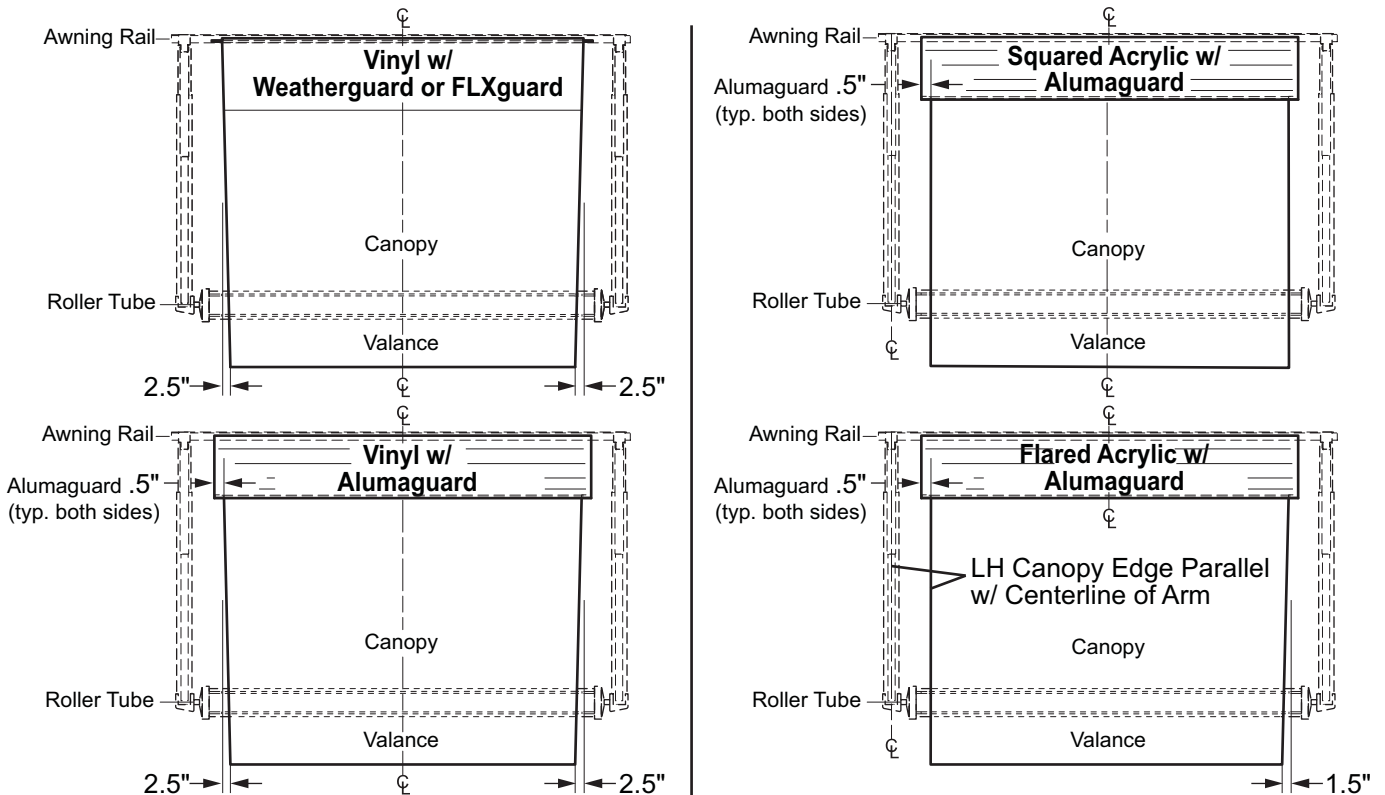
- 11.1. The Alumaguard should be centered between the arms.
- 11.2. Center the fabric in the Alumaguard. Once positioned, use a pair of side cutters or similar tool and crimp the aluminum over the polyrod. Use care to not bend or distort the aluminum slats.

12. *FLXguard and Weatherguard:* Center the fabric in the awning rail between the arms.

13. *Vinyl Canopies:* Vinyl canopies are flared (tapered) on both sides. Center the fabric on the roller tube. Install the fabric retaining screws outside the fabric through the polyrod and into the roller tube.

14. *Acrylic Canopies:*

- 14.1. *Square cut canopies used without LEDs:* Center the fabric on the roller tube. Install the fabric retaining screws outside the fabric through the polyrod and into the roller tube.
- 14.2. *Canopies used with LEDs:* Acrylic canopies used with LEDs are flared on the right side only. The canopy is NOT centered in the roller tube.
  - 14.2.1. The LH edge of the canopy should be parallel to the centerline of the LH arm leaving a larger space between the roller tube end cap and fabric on the RH side (approximately 1.5").
  - 14.2.2. Install the fabric retaining screws outside the fabric through the polyrod and into the roller tube.



*Dimensions are approximate and may vary based on installation and fabric tolerances.*

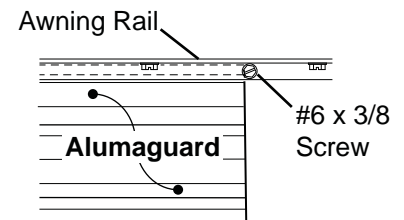
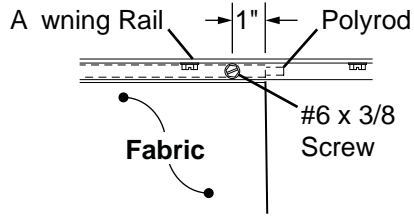
CA006d

- 15. Remove the cotter pin and tape from the roller lock then release the brace(s).
- 16. Slowly roll up the awning and observe that the braces and arms nestle together correctly. If necessary, loosen the screws holding the upper mounting bracket then use the slots in the bracket to adjust the brace position so that the brace and arm nestle together properly.
- 17. Tighten the upper mounting bracket screws.



18. Extend and retract the awning to confirm that the canopy is rolling up straight. Then secure the fabric in the awning rail using the fabric retaining screws removed previously.

18.1. For vinyl awnings, place screw through awning rail, polyrod and canopy approximately 1" in from the end of the fabric.



SF022

18.2. For Alumaguard awnings, place screw on the outer edge of the Alumaguard (not through the Alumaguard).

19. The roller tube screws go into the slot and through the polycord on the outside edge of the fabric.

20. For awnings with LEDs in the roller tube:

20.1. Connect the canopy harness connector and LED connector. Then carefully push the connectors into the roller tube.

20.2. Place the split grommet around the canopy harness and press the grommet into the roller tube hole.

20.3. If the canopy has a metal wrap, attach the wire to the inside of the wrap (see page ) then proceed with the next step.

20.4. At the vehicle wall, route the new canopy harness through the wall to the switch.

*Tip: Tie the new harness to the old harness that was cut previously. Use the old harness to pull the new harness through the wall to the desired location.*

20.5. At the vehicle wall, provide a 3" loop of harness between the canopy and wall. Seal the wall entrance hole and harness with a quality silicone sealant.

20.6. Connect the new harness to the switch. Two (2) .187, 18-24 awg female disconnects are provided if connecting to a switch.

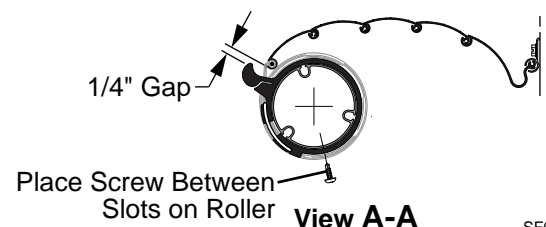
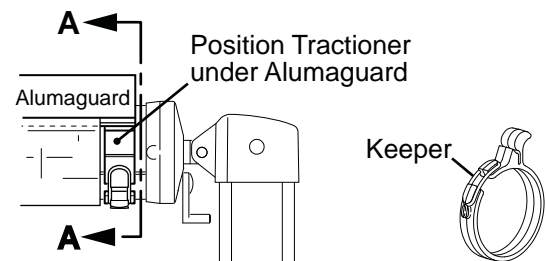
20.7. Alternate method: At the wall, splice the new harness to the existing harness using 24 awg butt connectors. Push the connectors into the vehicle wall. Seal the wall entrance hole and wires with a quality silicone sealant.

**NOTE:** Be sure to allow enough harness from the canopy to provide a 3" loop of harness and adequate length for the connectors to be pushed inside the wall before sealing the hole and harness with a quality silicone sealant.

## INSTALLING THE TRACTIONERS

The tractioners are used with Alumaguard.

- Partially extend the awning until the Alumaguard is extended as shown.
- Unlock the keeper and wrap the tractioner around the roller tube.
- Position the tractioner under the Alumaguard with a 1/4" gap between Alumaguard and tractioner. Lock the keeper.
- Repeat for the other end of the roller tube.
- Extend the awning to verify that the tractioners are lifting the metal wrap up and over the roller assembly.
- To secure the tractioner, drill a 1/8" hole through the tractioner and roller tube, roughly center the hole between two slots of the roller tube.
- Secure with one (1) #10 square drive screw.



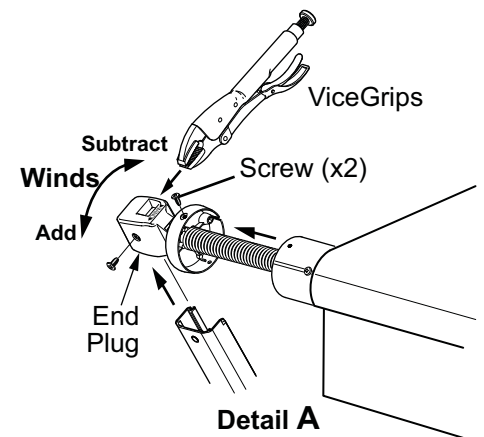
SF023

## SPRING REPLACEMENT

**⚠WARNING** THIS PROCEDURE REQUIRES WORKING WITH THE ROLLER SPRINGS. WHEN REMOVED FROM THE ARM, THE SPRING IS UNDER EXTREME TENSION AND WILL UNWIND QUICKLY. KEEP HANDS AND CLOTHING CLEAR WHILE FIRMLY HOLDING THE VICE GRIPS! DO NOT TRY TO HOLD THE END PLUG BY HAND. FAILURE TO FOLLOW THE INSTRUCTIONS CAN RESULT IN PERSONAL INJURY AND PROPERTY DAMAGE.

### REPLACING THE LEFT SPRING ASSEMBLY

1. Extend the awning out completely.
2. On the right side, lift and lock the upper brace in position. Tape the roller lock in the OPEN position.
3. On the left arm, grasp the end plug firmly with vice grips. Pad the grip teeth to prevent damage or marring on the end plug.
4. Remove the attaching screw and remove the end plug from the arm while firmly holding onto the vice grips.
  - It will be necessary to hold onto the arm and move it out of the way when the end plug is removed.
  - It will be necessary to support or hold the roller tube during the rest of the procedures.
5. Unwind the spring. To unwind, rotate the end plug over the top and towards the coach.

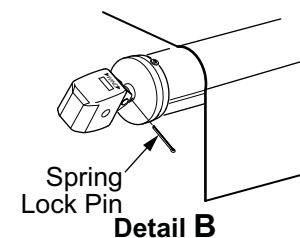


**⚠CAUTION** A broken spring can still retain winds under tension.

6. Remove the screws attaching the end cap to the roller tube. Set screws aside.
7. Remove the spring from the roller tube and set aside.
8. Slide the new spring into the roller tube. Align the end cap on the roller tube then press onto the roller tube completely. The roller tube should bottom out inside the cap.
9. Attach the end cap to the roller tube with the screws removed previously.
10. Grasp the end plug with vice grips and turn the spring to add winds. To wind, rotate the end plug over the top and away from the coach. One complete turn equals one wind. Use the spring wind chart on page 8 for the correct number of winds.

**⚠CAUTION** While the end plug is not attached to the arm channel, the wound spring is under extreme tension and will unwind quickly. Keep hands and clothing clear while FIRMLY holding the vice grips! Do not try to hold the end plug by hand.

11. Temporarily insert a cotter pin through the cap and spring (refer to Detail B).
12. Slide the end plug over arm channel. Align the holes and secure using one (1) 1/4-20 x 7/16 Quadrex Drive screw.
13. Remove the cotter pin and tape from the roller lock then release the upper brace.
14. Slowly roll up the awning and observe that the braces and arms nestle together correctly. If necessary, loosen the screws holding the upper mounting bracket then use the slots in the bracket to adjust the brace position so that the brace and arm nestle together properly.



SF017

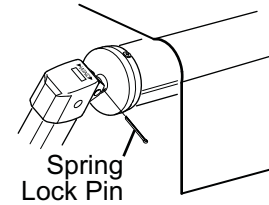


## REPLACING THE RIGHT SPRING ASSEMBLY

1. Extend the awning out completely.
2. On the left side, lift and lock the upper brace in position. Insert a cotter pin through the cap and spring (Detail A).

3. On the right arm, grasp the end plug firmly with vice grips. Pad the grip teeth to prevent damage or marring on the end plug.

**⚠CAUTION** When removed from the arm, the spring is under extreme tension and will unwind quickly. Keep hands and clothing clear while FIRMLY holding the vice grips! Do not try to hold the end plug by hand.



Detail A

4. Remove the attaching screw and remove the end plug from the arm while firmly holding onto the vice grips.

- It will be necessary to hold onto the arm and move it out of the way when the end plug is removed.
- It will be necessary to support or hold the roller tube during the rest of the procedures.

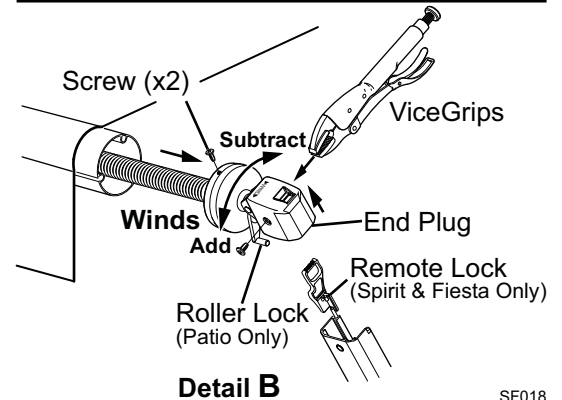
5. Place the roller lock in the CLOSE position then unwind the spring. To unwind, rotate the end plug over the top and towards the coach.

**⚠CAUTION** A broken spring can still retain winds under tension.

6. Remove the screws attaching the end cap to the roller tube. Set screws aside.
7. Remove the spring from the roller tube and set aside.

**NOTE:** For patio awnings with LED: Partially pull the spring out. Slide the wire guard out from the roller tube and hold the LED wires out of the way. Finish pulling out the spring.

8. Slide the new spring into the roller tube. Align the end cap then press onto the roller tube completely. The roller tube should bottom out inside the cap.



Detail B

SF018

9. Attach the end cap to the roller tube with the screws removed previously.
10. Place the roller lock in the OPEN position then grasp the end plug with vice grips and turn the spring to add winds. To wind, rotate the end plug over the top and away from the coach. One complete turn equals one wind. Use the chart on page 8 for the correct number of winds.

**NOTE:** For patio awnings with LED: Partially push the spring in. Slide the wire guard into the roller tube and tuck the LED wires between the guard and roller tube. Finish pushing in the spring.

9. Attach the end cap to the roller tube with the screws removed previously.

10. Place the roller lock in the OPEN position then grasp the end plug with vice grips and turn the spring to add winds. To wind, rotate the end plug over the top and away from the coach. One complete turn equals one wind. Use the chart on page 8 for the correct number of winds.

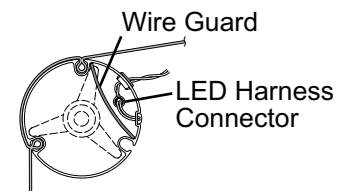
**⚠CAUTION** While the end plug is not attached to the arm channel, the wound spring is under extreme tension and will unwind quickly. Keep hands and clothing clear while FIRMLY holding the vice grips! Do not try to hold the end plug by hand.

1. *For Simplicity* Slide the end plug over arm channel. Align the holes and secure using one (1) 1/4-20 x 7/16 Quadrex Drive screw.

2. *For Spirit and Fiesta:* Hook the remote lock over the brake lever while sliding the end plug over the arm. Align the holes in the arm and end plug and secure using one (1) 1/4-20 x 7/16 Quadrex Drive screw.

*Tip: Slide the remote lock up until it protrudes over the arm. Hook the remote over the brake lever. Allow the remote lock to slide back into the channel while sliding the end plug over the arm channel.*

11. Slowly roll up the awning and observe that the braces and arms nestle together correctly. If necessary, loosen the screws holding the upper mounting bracket then use the slots in the bracket to adjust the brace position so that the brace and arm nestle together properly.



LED Connector/Wiring LED011

SPRING WIND CHART

**To Add Winds:** Rotate the end plug over the top and away from the vehicle.

**To Unwind:** Rotate the end plug over the top and towards the vehicle.

LENGTH OF AWNING	REPLACEMENT SPRING		WINDS W/ AWNING CLOSED	WINDS W/ AWNING OPEN
	RH	LH		
<b>SPIRIT, FIESTA &amp; SIMPLICITY</b>				
7' 11" or less	R00926XXX-A	n/a	6	14
8' - 12'	R00925XXX-A	R00923XXX-A	5	13
12' 1" - 18'	R00925XXX-A	R00923XXX-A	7	15
18' 1" and longer	R00926XXX-A	R00924XXX-A	8	16
<b>FIESTA LITE</b>				
16' or less	R001703XXX-A	n/a	8	16
16' 1" and longer	R001704XXX-A	R001706XXX-A	7	15

REMOTE LOCK REPLACEMENT (SPIRIT AND FIESTA ONLY)

1. Open the awning. On the left arm, raise and lock the upper brace in position. Do not forget to tighten the black lock knob.

**NOTE:** As an additional safety, align the cotter pin holes in the LH cap and spring and temporarily insert a lock pin through the hole (reference Detail A in Error! Reference source not found. on page Error! Bookmark not defined.). This will prevent the awning from closing if the upper brace is not adequately tightened.

2. On the right side, tape the roller lock lever in the OPEN position.

**CAUTION** The roller lock **MUST** stay in the open position. If the lever is pushed to the close position while the end plug is not attached to the arm channel, the wound spring will unwind quickly with significant force. Personal injury and/or property damage could occur.

3. (Detail A) Detach the end plug and lift off of the arm channel. Unhook the old remote lock stirrup from the lock lever while lifting the roller tube.

- It will be necessary to hold onto the arm when the end plug is removed.
- It will be necessary to support or hold the roller tube during the next two steps.

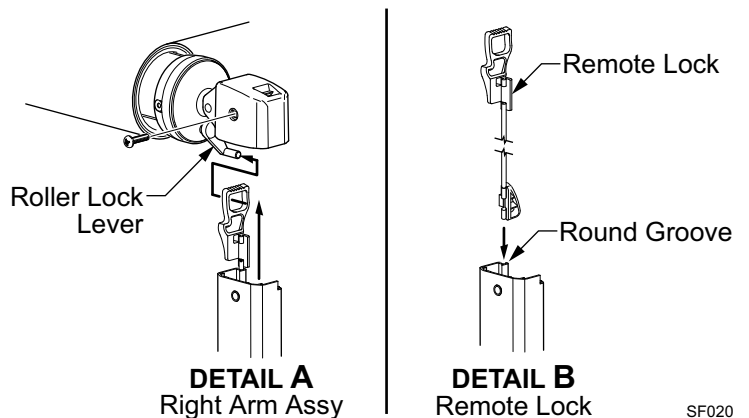
4. Slide the old remote lock out of the round groove of the right arm.

5. Clean the groove then slide the new remote lock in. Allow the lock to protrude over the arm channel.

6. Lift the roller tube over the arm channel and hook the remote lock stirrup over the lever. Slide the remote lock into the channel while sliding the end plug onto the arm.

7. Align the holes and secure the end plug with the screw removed previously.

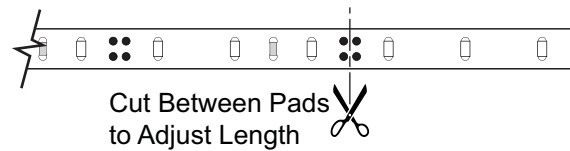
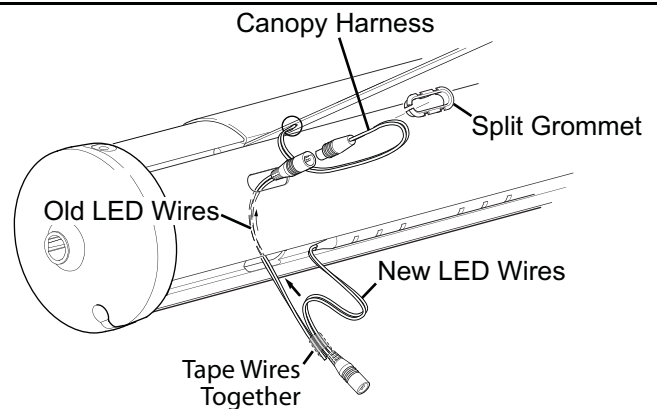
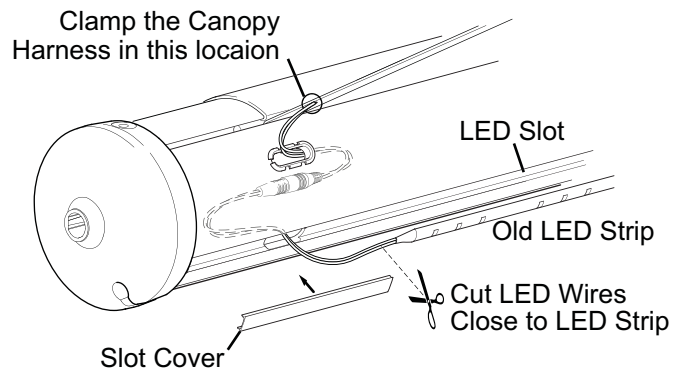
8. Remove cotter pin (if installed) and the tape used to hold the lock lever in place.





## REPLACING THE LED STRIP

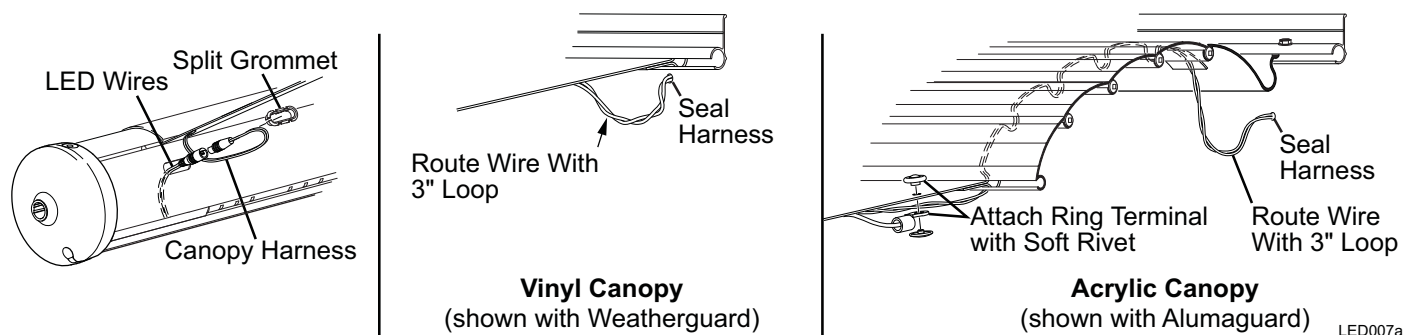
1. Extend the awning out completely.
2. Disconnect power.
3. Use a non-permanent marker to mark the location of the ends of the LED strip.
4. Clamp the canopy harness in the canopy to prevent the wire from pulling up into the seam of the canopy. This can be done with a paper clip or similar device that will not damage the wires or canopy.
5. Remove the slot covers from the ends of the LED strip and set aside.
6. Remove the existing LED strip from the LED slot.
7. Cut the old LED wires close to the LED strip. Tape or secure the wires on the outside of the roller tube.
8. Clean the slot to remove any dirt and tape residue.
9. Starting with the wire leads at the reference mark made previously, remove the release paper from the back of the new strip and press the strip into the LED slot.
10. At the end of the roller tube, cut the LED strip to match the mark made previously. To trim the LED strip, always cut between the 4-pad cluster as shown.
11. Tape the old LED wires to the new LED wires and connector.
12. Locate and remove the split grommet from the roller tube.
13. Carefully pull the wires and connectors out of the roller tube. Disconnect the connectors.
14. Carefully feed the new LED connector through the hole in the slot
15. Use the old LED wire to pull the new connector out of the grommet hole. Remove the tape and old wire and discard.
16. Connect the canopy harness connector and new LED connector. Then carefully push the connectors back into the roller tube.
17. Place the split grommet around the canopy harness and press the grommet into the hole of the roller tube.
18. Press the slot covers into the LED slot.
19. Restore power and test.



LED005b

## CANOPY HARNESS REPLACEMENT

**NOTE:** Acrylic canopies use a soft rivet in the hem next to the awning rail to hold the harness in place. Dual tapered canopies do not use the rivet. If replacing a harness in a tapered canopy, skip steps 6 and 11.1.



1. Extend the awning out completely.
  2. Locate and remove the split grommet from the roller tube.
  3. Carefully pull the wires and connectors out of the roller tube. Disconnect the connectors.
  4. Clamp the LED harness connector outside the roller tube to prevent it from falling back into the roller tube. This can be done with a paper clip or similar device that will not damage the wires.
  5. At the awning rail, clip the harness close to the canopy. Clamp the harness going into the vehicle to prevent it from falling in the vehicle wall.
  6. For acrylic canopies only: Remove the rivet from the canopy. This is a soft rivet and can be cut off with side cutters.
  7. At the roller tube, cut off the connector from the old canopy harness.
  8. Securely tape the new harness to the old harness.
  9. Carefully use the old harness to pull the new harness through the hem of the canopy.
  10. After the new harness has been routed in the canopy hem:
    - 10.1. Connect the canopy harness connector and LED connector. Then carefully push the connectors into the roller tube.
    - 10.2. Place the split grommet over the canopy harness and press the grommet into the hole of the roller tube.
  11. At the vehicle wall:
    - 11.1. For acrylic canopies only: Attach the new harness terminal ring to the canopy using a new rivet.
    - 11.2. If the canopy has a metal wrap, attach the wire to the inside of the wrap (see page Attaching the Harness to Fabric Wrap) then proceed with the next step.
    - 11.3. At the vehicle wall, route the new canopy harness through the wall to the switch.
 

*Tip: Tie the new harness to the old harness that was cut previously. Use the old harness to pull the new harness through the wall to the desired location.*
    - 11.4. At the vehicle wall, provide a 3" loop of harness between the canopy and wall. Seal the wall entrance hole and harness with a quality silicone sealant.
    - 11.5. Connect the new harness to the switch. Two (2) .187, 18-24 awg female disconnects are provided if connecting to a switch.
    - 11.6. Alternate method: At the wall, splice the new harness to the existing harness using 24 awg butt connectors. Push the connectors into the vehicle wall. Seal the wall entrance hole and wires with a quality silicone sealant.
- NOTE:** Be sure to allow enough harness from the canopy to provide a 3" loop of harness and adequate length for the connectors to be pushed inside the wall before sealing the hole and harness with a quality silicone sealant.

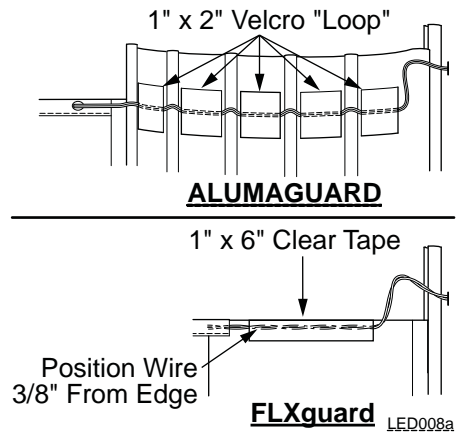
## ATTACHING THE HARNESS TO FABRIC WRAP

When replacing the canopy only or replacing the canopy harness, it is necessary to attach the cable to the inside of the wrap.

For vinyl canopies with Weatherguard, the harness is routed in the seam of the Weatherguard, no additional attachment is necessary.

For other wraps follow the directions below:

1. Open the awning to access the inside surface of the wrap.
2. Clean the inside surface of the wrap.
3. Attach the harness to the inside surface.
  - 3.1. For Alumaguard: Use 1" by 2" pieces of Velcro (loop) taping the harness on each slat between the joints.
  - 3.2. For FLXguard: Position the harness approximately 3/8" from the edge of the material. Attach using a 1" x 6" piece of clear tape (the tape is a special bond tape available from Carefree).





## STANDARD MAINTENANCE

Maintaining the Carefree Manual Patio Awning is easy. Just follow these basic steps:

- Always operate the awning according to the instructions.
- Periodically check that the fasteners are tight. Tighten if necessary.
- Keep the awning fabric and arms clean.

### FABRIC CARE

**⚠CAUTION DO NOT USE OIL BASED CLEANERS OR ANY CAUSTIC, GRANULATED, OR ABRASIVE TYPE CLEANERS ON YOUR CAREFREE PRODUCT.**

1. One of the best ways to keep the fabric looking good and to delay the need for deep or vigorous cleanings is to hose fabrics off on a monthly basis with clear water. This practice will help prevent dirt from becoming deeply imbedded in the fabric. In most environments, a thorough cleaning will be needed every two to three years.
2. When it's time for a thorough cleaning, the fabric can be cleaned while still on an awning frame.
  - For Vinyl Fabric – Use a soft brush and warm water with soap.
  - For Acrylic Fabric – Use a stiff brush and warm water with soap.
3. When cleaning the fabric, it is important to observe the following:
  - Always use a natural soap, never detergent.
  - Water should be cold to lukewarm, never more than 100°F.
  - Air-dry only. Never apply heat to the fabric.
  - Always allow the fabric to dry thoroughly before rolling up the awning.

#### *Mildew*

Mildew is a fungus growth that looks like dirt. Vinyl coated polyester fabrics are mildew resistant because of a chemical biocide in the vinyl coating. Under ordinary conditions, mildew will not appear. However, in areas where high temperature and humidity are common, mildew can be a problem and required the material to be washed more frequently. Thoroughly rinse the fabric with clean water and allow to air dry completely before rolling up the awning.

#### *Pooling*

When water collects on the top of the fabric, this is known as "pooling". This can occur during inclement weather or if a running air conditioner discharges over the awning. The water is dumped when the awning is retracted. It is recommended that if water accumulates on the top, briefly retract the awning to dump the water. This will help prevent the fabric from stretching or distorting.

#### *Leaking*

On vinyl canopies, side hems and poly cords are stitched in with a sewing machine. On occasion, this stitching may allow water to seep or leak through the stitches. This is normal and not a defect covered by warranty. Treat the seams with a quality seam sealer.

### ARM CARE

The best method of keeping the arms and braces operating smoothly is to clean them. Dirt and debris can cause the channels not to slide easily.

Periodically wash out the channels with running water (i.e. a hose) to keep them clean. If the channels still do not slide easily, lightly spray the inside of the channels with a dry silicone lubricant, after the arms have been cleaned and dried thoroughly.

#### *Hardware Maintenance*

- Replace any parts that become damaged.
- Periodically check all mounting hardware, screws, lags, etc., and re-tighten when necessary.
- Locking knobs should be periodically loosened and removed then sprayed with a dry lubricant to prevent binding and locking.

**PART NUMBER LISTING**

**SPIRIT FX & FIESTA PART NUMBER CONFIGURATION**

**Example: Part Number: 25 18 79 79**

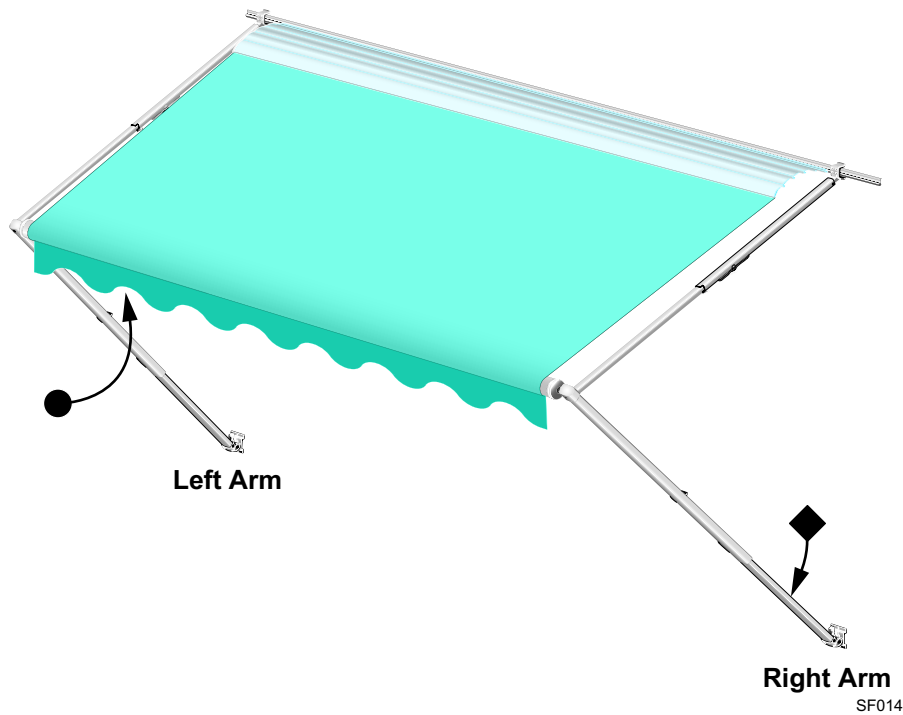
STYLE CODE	SIZE	CANOPY COLOR	FABRIC WRAP TYPE/COLOR
<b>25</b>	<b>18</b>	<b>79</b>	<b>79</b>
SPIRIT FX Vinyl w/ Black Castings	18' Length	Ocean Blue Vinyl	Ocean Blue/Cream Weatherguard
<b>SPIRIT FX</b> <b>25</b> = Vinyl or Polyweave w/ Black Castings <b>DV</b> = Vinyl or Polyweave w/ White Castings <b>26</b> = Acrylic w/ Alumaguard Ltd w/ Black Castings <b>DW</b> = Acrylic w/ Alumaguard Ltd w/ White Castings <b>FIESTA</b> <b>86</b> = Vinyl or Polyweave w/ Black Castings Up To 21' <b>EP</b> = Vinyl or Polyweave w/ Black Castings Over 21' <b>EA</b> = Vinyl or Polyweave w/ White Castings Up To 21' <b>ER</b> = Vinyl or Polyweave w/ White Castings Over 21' <b>SA</b> = Vinyl or Polyweave w/ Alumaguard w/ Black Castings Up To 21' <b>SB</b> = Vinyl or Polyweave w/ Alumaguard w/ Black Castings Over 21' <b>SE</b> = Vinyl or Polyweave w/ Alumaguard w/ White Castings Up To 21' <b>SF</b> = Vinyl or Polyweave. With Alumaguard /White Castings Over 21' <b>AB</b> = Acrylic w/ Alumaguard Ltd W /Black Castings Up To 21' <b>ET</b> = Acrylic w/ Alumaguard Ltd w/ Black Castings Over 21' <b>EB</b> = Acrylic w/ Alumaguard Ltd w/ White Castings Up To 21' <b>EU</b> = Acrylic w/ Alumaguard Ltd w/ White Castings Over 21'	8' 9' 10' 11' 12' 13' 14' 15' 16' 17' 18' 19' 20' 21' 22' 23' 24' 25'	<b>VINYL</b> Refer to Sales and Order Information for Color Availability and Color Codes <b>CUSTOM GRAPHICS</b> Refer to Sales and Order Information for Color Availability and Color Codes <b>ACRYLIC</b> Refer to Sales and Order Information for Color Availability and Color Codes AVAILABLE IN HORIZONTAL OR VERTICAL STRIPE OR SOLID. <b>CUSTOM ACRYLIC</b> 140 custom colors are available Refer to Sales and Order Information for Color Availability and Color Codes	<b>VINYL</b> Refer to Sales and Order Information for Color Availability and Color Codes <b>ALUMAGUARD</b> Refer to Sales and Order Information for Color Availability and Color Codes

SIMPLICITY PART NUMBER CONFIGURATION

Example: Part Number: 77217900

STYLE CODE	SIZE	CANOPY COLOR	FABRIC WRAP TYPE/COLOR
77	21	79	00
Simplicity Awning	21' Length	Ocean Blue	White Weatherguard
77 = Simplicity Awning - All	8' 9' 10' 11' 12' 13' 14' 15' 16' 17' 18' 19' 20' 21'	<b>VINYL</b> Refer to Sales and Order Information for specific color availability and color codes	<b>VINYL</b> 00 = WHITE (xx) = MATCHING COLOR

PART NUMBER/SERIAL NUMBER LOCATION



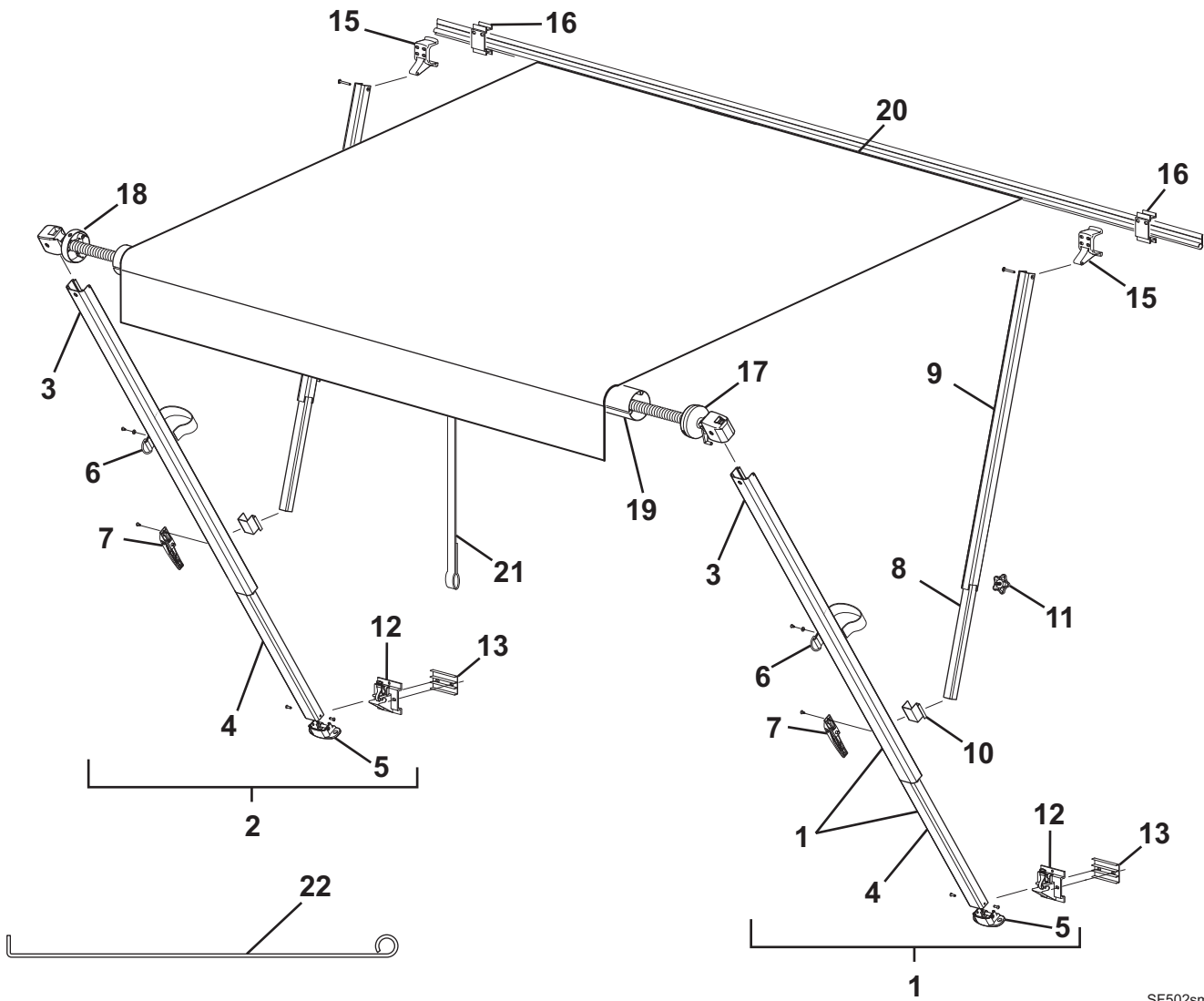
- ◆ The arm part numbers/serial numbers are located on the inside of the lower arm channel.
- The roller tube part numbers/serial numbers are located on the roller tube and the valance care label.



Item	Part Number	Description		Notes
1	R00415-3nn-XX	1/2 Set Hardware	Right	1,3
2	R00416-3nn-XX	1/2 Set Hardware	Left	1,3
3	R00410-3nn-XX	Upper Main Arm (includes items 8, 9)	Right	1,3
4	R00411-3nn-XX	Upper Main Arm (includes items 8, 9)	Left	1,3
5	R00412-3nn-XX	Lower Main Arm (includes Item 6)		1,3
6	901020	Carport Foot	Black	
	901020W	Carport Foot	White	
7	R012803-005	Remote Lock, White	L = 38.5"	Universal
	R012803-006	Remote Lock, Black	L = 38.5"	Universal
	R012803-105	Remote Lock, White	L = 25.4"	Hi-Lo
	R012803-106	Remote Lock, Black	L = 25.4"	Hi-Lo
	R012803-405	Remote Lock, White	L = 41.5"	Monaco
	R012803-406	Remote Lock, Black	L = 41.5"	Monaco
	R012803-505	Remote Lock, White	L = 51.8"	Teton
	R012803-506	Remote Lock, Black	L = 51.8"	Teton
	R012803-205	Remote Lock, White	L = 34.4"	Short
	R012803-206	Remote Lock, Black	L = 34.4"	Short
8	901017	Travel Lock, Black		
	901017W	Travel Lock, White		
9	901015W	Handle, White		
	901015	Handle, Black		
10	R00414-3nn-XX	Lower Brace (includes item 12)		1,3
11	R00413-3nn-XX	Upper Brace (includes items 13, 14, 18)		1,3
12	R00405	Brace Slider		
	R00405-2	Brace Slider, Curved Hardware		
	R00549	Brace Slider	Pre 1997	
13	901022	Locking Knob		
14	902801W	Canopy Clamp, White		
	902801	Canopy Clamp, Black		
15	901019W	Bottom Bracket, White		
	901019	Bottom Bracket, Black		
16	R00716	Bottom Bracket, Shim, Optional	pkg of 2	
17	169037	Bottom Bracket Stand-Off, Optional	Airstream	
18	901018W	Top Bracket, White		
	901018	Top Bracket, Black		
19	249153	Top Bracket Stand-Off	Optional	
20	R00926XXX-A	Spring Assy, RH	7' 11" or less	2,4,5
	R00925XXX-A	Spring Assy, RH	8'-18'	2,4,5
	R00926XXX-A	Spring Assy, RH	18' 1" and longer	2,4,5
21	R00923XXX-A	Spring Assy, LH	8'-18' Width	2,4,5
	R00924XXX-A	Spring Assy, LH	18' 1" and longer	2,4,5
	R098226-005	Idler End Cap, White (Does Not Include a Spring)	7' 11" or less	2
	R098226-006	Idler End Cap, Black (Does Not Include a Spring)	7' 11" or less	2
22a	19xx00	Roller Tube, 4-slot	3 1/2" Dia	
22b	15xx00A	Roller Tube, w/ Utility Slot	3 1/2" Dia	
23		Canopy Only	Refer to Canopy Order Form	
24	20xx36XXX	Alumaguard Only		
25	901011	Pull Strap		
26	901035	Pull Wand	43"	
	901035XL	Pull Wand	61"	
	<i>The following items are not shown</i>			
	R012479-006	Hardware Pack	Black Castings	
	R012479-005	Hardware Pack	White Arms w/ White Castings	
	030573	Slider Set Screw		

- Notes: 1. XX = Color -06 = Satin w/ Black Castings -55 = White w/ White Castings  
2. Awnings 7'11" and shorter use only one RH spring, no left hand spring.  
3. nn = Arm style.  
4. For springs used with a utility slot roller tube, add a "U" at the end of the part number.  
5. XXX = Color BLK=Black; WHT=White

SIMPLICITY ILLUSTRATED PARTS LIST



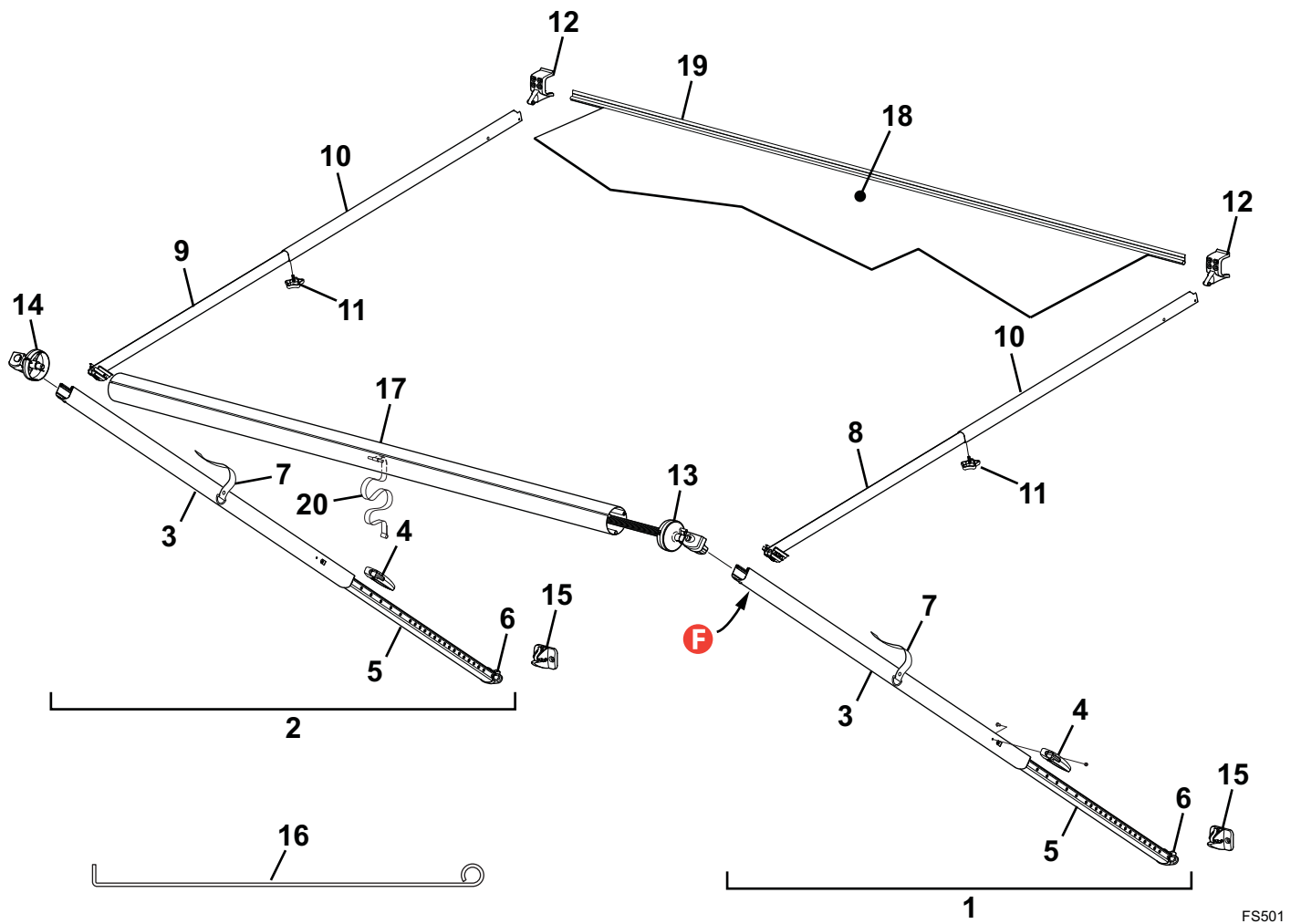
SF502sm



Item	Part Number	Description	Notes
1	R00415-4nn-XX	Arm Assy, 1/2 Set	Right 1,2
2	R00416-4nn-XX	Arm Assy, 1/2 Set	Left 1,2
3	R00410-4nn-XX	Upper Main Arm (includes items 6, 7)	1,2
4	R00412-4nn-XX	Lower Main Arm (includes Item 5)	1,2
5	249104UP	Carport Foot	Unpainted
6	R00532	Travel Strap	
7	901015W	Handle, White	
	901015	Handle, Black	
8	R00414-4nn-XX	Lower Brace (includes item 10)	1,2
9	R00413-4nn-XX	Upper Brace (includes items 11, 15)	1,2
10	R00405	Brace Slider	
	R00549	Brace Slider	Pre1997
11	901022	Locking Knob	
12	R00935	Bottom Bracket	pkg of 2
13	R00716	Bottom Bracket, Shim	pkg of 2
15	249162UP	Top Bracket	
16	249153	Top Bracket Stand-Off	pkg of 2
17	R00925MIL-A	Spring Assy, RH	8'-18'
	R00926MIL-A	Spring Assy, RH	18' 1" and longer
18	R00923MIL-A	Spring Assy, LH	8'-18' Width
	R00924MIL-A	Spring Assy, LH	18' 1" and longer
19	19xx00	Roller Tube, 4-slot	3 1/2" Dia
20		Canopy Only	Refer to Canopy Order Form
21	901011	Pull Strap	
22	901035	Pull Wand	43"
	901035XL	Pull Wand	61"
	<i>The following items are not shown</i>		
	R012804-002	Hardware Pack	

Notes: 1. XX = Color -00 = Satin w/ unpainted Castings -50 = White w/ unpainted Castings  
2. nn = Arm style.

# FIESTA LITE ILLUSTRATED PARTS LIST

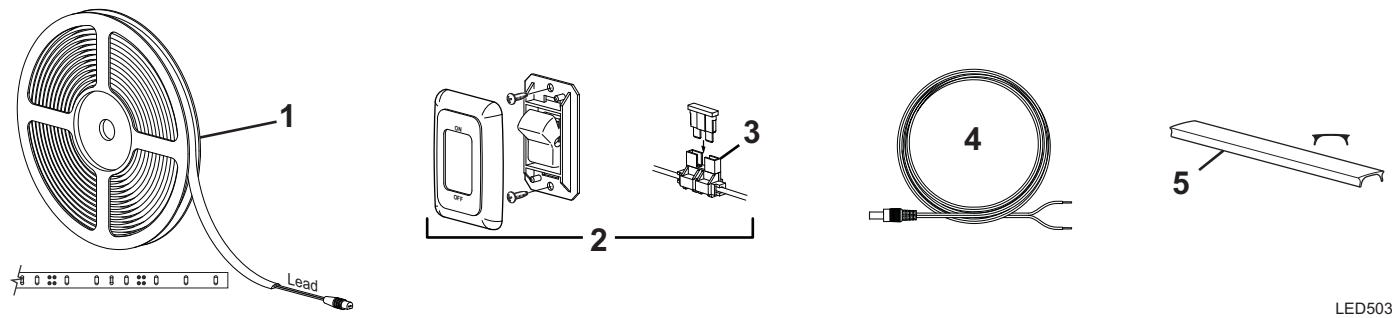


FS501

<b>Item</b>	<b>Part Number</b>	<b>Description</b>		<b>Notes</b>
1	R001701-1XX-xx	1/2 Set Hardware	Right	1,3,4
2	R001702-1XX-xx	1/2 Set Hardware	Left	1,3
3	R001774-XXX	Upper Main Arm, (includes item 4)		1
4	901071	Handle Assy	Black	
	901071WHT	Handle Assy	White	
5	R001668-XXX	Lower Main Arm, (includes Item 6)		1
6	901068	Carport Foot	Black	
	901068WHT	Carport Foot	White	
7	R00532	Travel Strap		
8	R001669-XXX	Lower Brace, RH		1,2
9	R001671-XXX	Lower Brace, LH		1,2
10	R001673-XXX	Upper Brace, (includes items 11, 12)		1
11	R001674	Locking Knob		
12	901069	Top Bracket	Black	
	901069WHT	Top Bracket	White	
13	R001703WHT-A	Spring, RH, White	Used with awning length 16' or less	
	R001703BLK-A	Spring, RH, Black	Used with awning length 16' or less	
	R001704WHT-A	Spring, RH, White	Used with awning length 16'1" or Longer	
	R001704BLK-A	Spring, RH, Black	Used with awning length 16'1" or Longer	
14	R001705WHT	Idler Assy, No Spring, White	Used with awning length 16' or less	
	R001705BLK	Idler Assy, No Spring, Black	Used with awning length 16' or less	
	R001706WHT-A	Idler Assy, w/ Spring, White	Used with awning length 16'1" or Longer	
	R001706BLK-A	Idler Assy, w/ Spring, Black	Used with awning length 16'1" or Longer	
15	901070	Bottom Bracket	Black	
	901070WHT	Bottom Bracket	White	
16	901035	Pull Cane	43"	
	901035XL	Pull Cane	61"	
17	19xx00	Roller Tube, 4-slot	3.5" Dia	
18		Canopy Only	Refer to Canopy Order Form	
19		Awning Rail	See Hardware and Accessories	
20	901011	Pull Strap		
	<i>The following items are not shown</i>			
	R019358-XXX	Hardware Pack	not shown	

- Notes:
1. XXX = Color: -005 = White; -006 = Black
  2. Lower brace (items 8, 9) includes brace slider. Brace slider not available separately.
  3. Arms available in universal only.
  4. New front (right) arm assembly is identified with an "F".

ROLLER TUBE LED



LED503a

Item	Part Number	Description	Notes
1	R001714	LED Strip, White, Short Lead	Used with 18' or shorter 1
	R001715	LED Strip, White, Long Lead	Used with 19' and longer 1
2	SR0101	Switch Kit (includes item 3)	
3	R019493-001	Fuse Kit (includes in-line fuse holder and 2A fuse)	
4	R060740-001	Harness, LED Power	
5	R001716	Slot Cover, 12"	2'

Notes: 1. LED strip (item 1) is sent on a roll and cut to length during installation.