



Builder's Best®



DRYER VENTING


Dryer Vent Outlet Box



- Cleanly finishes off dryer vent rough-ins
- Add or recaptures space behind the dryer for venting
- Can be used in-wall (prior to dry wall) or on-wall
- Standard 4" airflow connections allow best airflow
- Meets UL® standard 94HB Tests for flammability



Contents

- 1x 
- One self trimming unit 17" wide x 24" high
- Fits 16" centers and 2x6 studs
 - Four pre-scored 4" diameter knockouts



Safety precautions

Builder's Best products are engineered to resist crushing. Crushed venting is one of the most common causes of dryer fires and maintenance calls.

- Dryer manufacturers specify all metal dryer venting to:
- Improve airflow
 - Reduce the risk of fires



Made in the U.S.A.
Fabriqué aux États-Unis
Hecho en EE.UU.

Instructions inside:

Additional parts recommended (not included):

- Six #10 - 2.5" wood screws (to secure box to studs)
- Two #10.5" sheet metal screws (to secure venting to box)
- 4" diameter rigid metal pipe and elbow venting (to complete run from box to outside)



DRYER OUTLET BOX

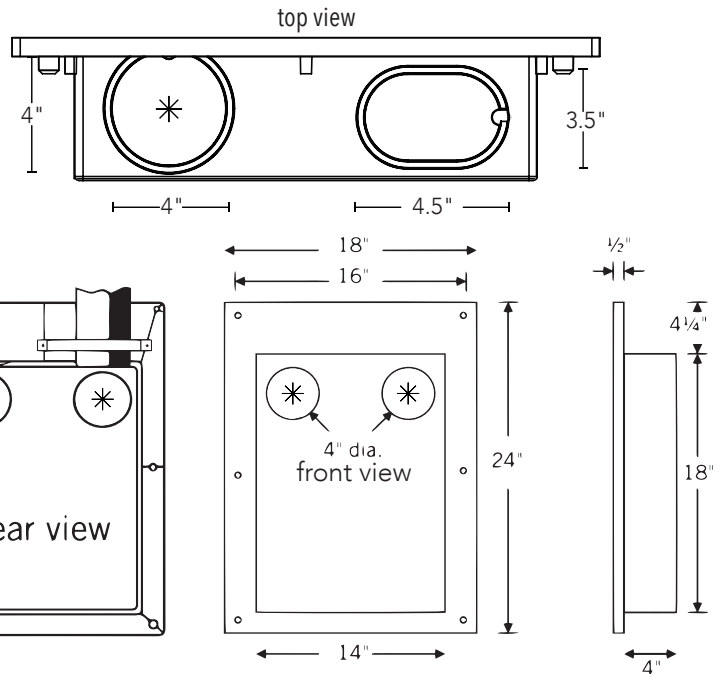
PRODUCT SPECIFICATIONS

- One Self trimming unit: 18" wide by 24" high
- Fits all 16" centers 2x4's and 2x6's;
- Six patented rip-tab knockouts in most common positions
 - Four true 4" diameter knockouts (two rear, two right upper and lower)
 - Two 3" x 4.5" oval knockouts (left upper and lower)*Oval knockouts are provided for non-standard connections to existing venting (i.e. squashed duct), or for a round to oval adapter.*
- 4 starburst knockouts for gas connections and venting
- 6 pre-drilled mounting holes
- Plastic meets UL® standard 94 HB tests for flammability
- Six screws included



PART NUMBERS

Description	Part #	Qty	Package
Single Box	110697	10	Bulk
	110698	3	Ind. Box
	110696	3	Display Box
Kit with round to oval adapter	111563	3	Display Box
Kit for 8' ceiling	111000	5	Ind. Box
Kit for 10' ceiling	111001	5	Ind. Box



Round to oval adapter



Periscope section



Rectangle to round adapter

DISPLAY SAMPLE

Box with adhesive label



KITS

- PN 111563 includes a round to oval adapter
- PN 111000 includes one Aluminum Periscope for 8' ceiling and two rectangle to round adapters
- PN 111001 includes one Aluminum Periscope for 10' ceiling and two rectangle to round adapters

RECOMMENDATIONS

- Proper maximum operating temperature of a dryer is approximately 180°
- The UL® standard 94HB tests at 200°. Melting point is 350-380°

LABELS

US Patent 10,125,899

