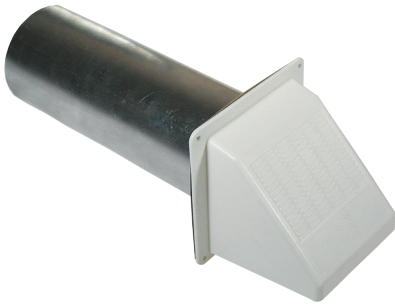


# WIDE MOUTH PLASTIC HOOD

## PRODUCT SPECIFICATIONS



- Polypropylene molded plastic
- Free swinging back draft flapper
- Aluminum trim plate
- Aluminum tailpipe
- 4 mounting holes
- Fully Assembled

## PART NUMBERS

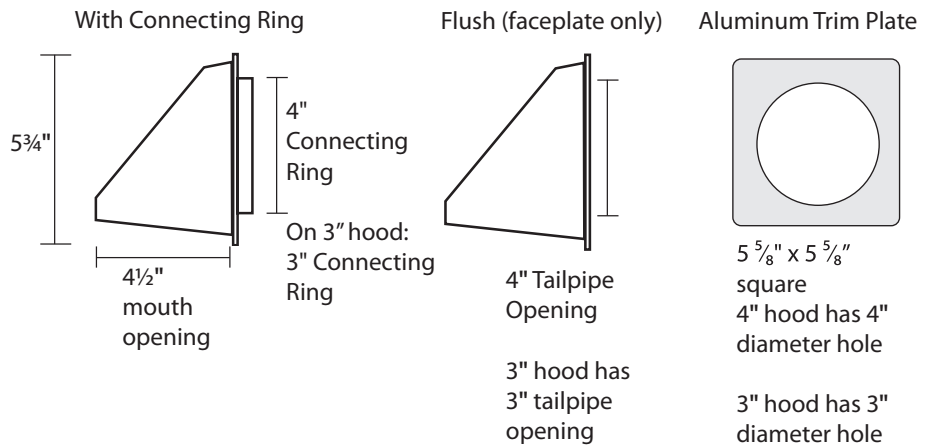
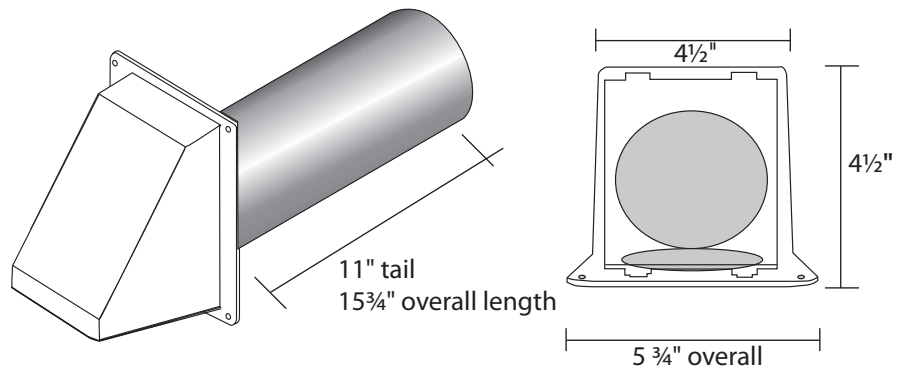
Diameter	Color	Part #	Qty	Package
3"	White	111243	8	Bulk
	Brown	111378	8	Bulk
4"	White	010179	6	Display Tray
	White	110164	8	Display Card
	White	110113	8	Bulk
	White	110330	4	Ind. Box
	Brown	110410	8	Display Card
Brown	110177	6	Display Tray	
Brown	110284	8	Bulk	
Brown	110332	4	Ind. Box	

Faceplate with Ring:

3"	White	111373	8	Bulk
	Brown	111374	8	Bulk
4"	White	110119	8	Bulk
	White	010723	336	Skid (gaylord)
	Brown	110285	8	Bulk
	Brown	010724	336	Skid (gaylord)

Faceplate for flush installation (no ring):

4"	White	110766	8	Bulk
	White	010768	392	Skid (gaylord)
	Brown	110767	8	Bulk
	Brown	010769	392	Skid (gaylord)



## LABELS





# SILVERDUCT™



## DESCRIPTION

Silverduct™ UL® 2158A clothes dryer transition duct provides flame resistance. It crushes easily behind the dryer and is held together with layers of aluminum foil and polyester plastic. Clothes dryer manufacturers may limit the use of plastics in venting. Check the dryer warranty and installation instructions as well as your local building codes for appropriate use.

## PART NUMBERS

Diameter	Length	Part #	Pkg	Qty
4"	5'	110504	Bulk	12
	5'	010507	Bulk	72
	5'	110676	Display Box	6
	8'	110505	Bulk	12
	8'	010508	Bulk	54
	8'	110677	Display Box	6
8'	8'	010793	Display Box	20
	With Two Spring Tension Clamps			
4"	5'	110670	Bag	12
	8'	110671	Bag	12
With Two Plastic Screw Clamps:				
4"	5'	110672	Display Box	12
	8'	110673	Display Box	12

## PRODUCT SPECIFICATIONS

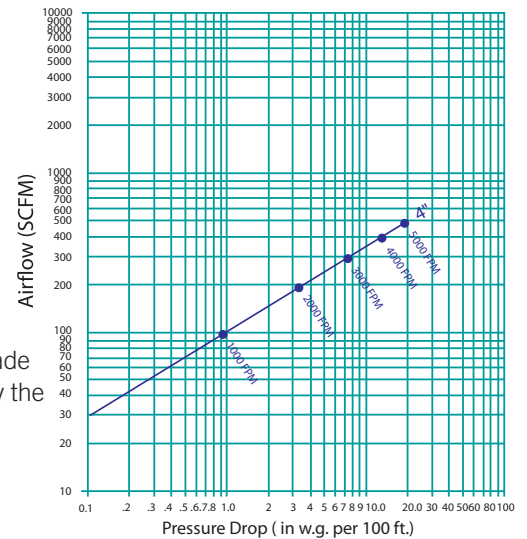
- UL® listed and labeled as foil dryer transition duct
- Steel wire support, multi-ply design of aluminum and polyester

## PERFORMANCE DATA

- Recommended Operating Pressure: 6" w.g. positive
- Recommended velocity: 5,000 FPM
- Operating Temp. Range: 0°F to +200°F  
Maximum 250°

INSTALLATION: Connections shall be made per installation instructions outlined by the appliance manufacturer

Air Friction Chart



Friction loss is computed in inches of water gauge per 100 feet of straight duct.

## APPROVAL

- UL® 2158A Transition Duct for clothes dryers for installations of 8 feet or less only.
- The Steel wire and foil provide some flame resistance, however, all wire helix designs are held together with layers of aluminum foil and polyester plastic. Clothes dryer manufacturers may limit the use of plastics in venting. Check the dryer warranty and installation instructions as well as your local building codes for appropriate use.

## LABELS

