



# AEV300 SERIES BUILDER'S BEST ALUMINUM EAVE VENT



AEV PROFILE WITH FEMALE TAIL



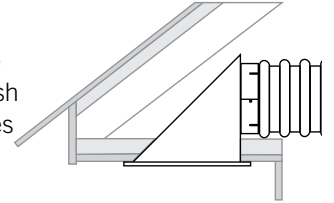
AEV320 10200  
WITH MALE TAIL AND FLAPPER



AEV WITH 1/4" SCREEN

## DESCRIPTION

The Builder's Best AEV300 series is an all aluminum eave vent for clothes dryers and bathroom fans. It installs flush into the eave and provides a good solution for appliances venting through attics and crawl spaces.

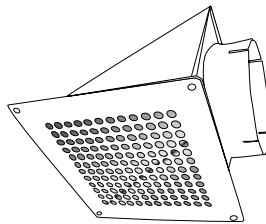
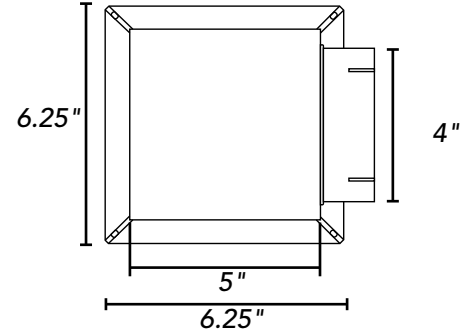
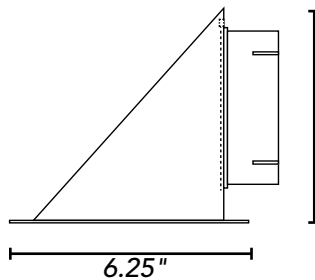


## PRODUCT SPECIFICATIONS

- Aluminum construction
- Snap-Lock™ male and female tails connect to standard 4" connections or snap without clamps to other snap-lock collars
- Four mounting holes

## RECOMMENDATIONS

Dryer vents should not be screened, per IBC code.  
10189 Intake does not have flapper, meeting IBC codes.



## PART NUMBERS

### AEV304 Intake

Dia.	Tail	Flapper	Screen	Each #	Qty	Case #	Package	UPC	Labeled
4"	female	n/a	1/4"x1/4", 1/4" round holes	10189	8	110189	Bulk	722048101890	

### AEV320 Dryer Vent

Dia.	Tail	Flapper	Screen	Each #	Qty	Case #	Package	UPC	Labeled
4"	female	flapper	n/a	10166	8	110166	Display Card	722048101661	•
4"	female	flapper	n/a	10139	8	110139	Bulk	722048101395	
4"	male	flapper	n/a	10200	8	110200	Bulk	722048102002	



### AEV324 Exhaust

Dia.	Tail	Flapper	Screen	Each #	Qty	Case #	Package	UPC	Labeled
4"	female	flapper	1/4"x1/4", 1/4" round holes	10188	8	110188	Bulk	722048101883	
4"	male	flapper	1/4"x1/4", 1/4" round holes	10199	8	110199	Bulk	722048101999	

## LABELS

