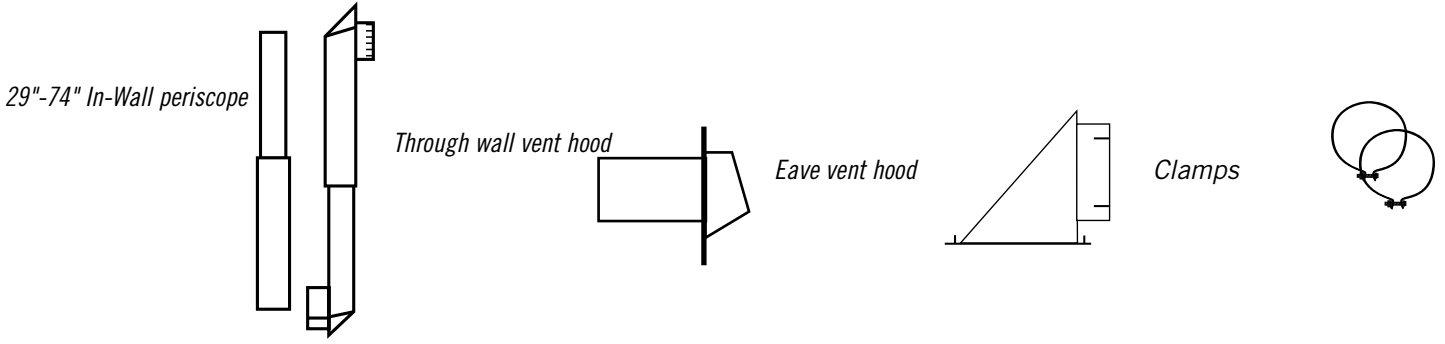
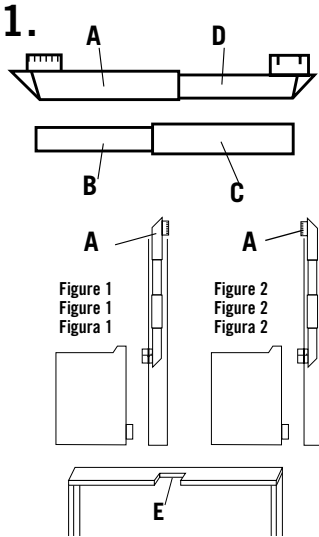


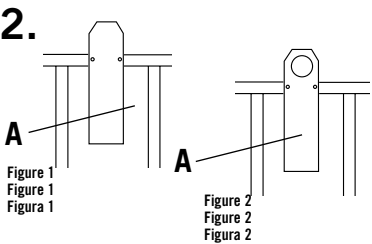
# In-Wall Periscope, Through-Wall Vent Hood, and Eave Vent



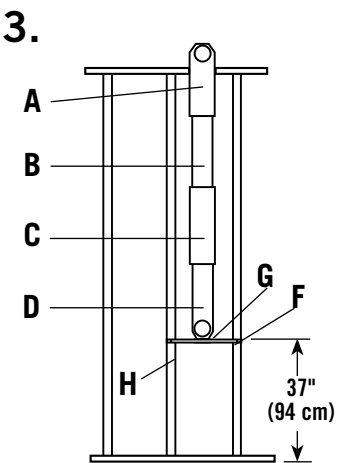
**Tools needed:**  
Phillips-head screwdriver  
Tin snips



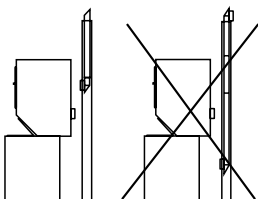
**29-74" In-Wall Periscope**  
Determine which direction the crimped fitting on section A needs to face.  
If crimped fitting on section A faces opposite slotted fitting on section D (Figure 1): Cut a 7" (17.8 cm) wide x 2" (5 cm) deep section out of the top plate E on the laundry room side.  
If crimped fitting on section A faces same as slotted fitting on section D (Figure 2): Cut a 6-1/4" (15.9 cm) wide x 2" (5 cm) deep section out of the top plate E on the laundry room side.



Insert section A into the cutout and fasten with screws or nails (not included) through periscope flange. Crimped fitting is opposite slotted fitting (Figure 1). Crimped fitting is same as slotted fitting (Figure 2).



Slide section B into section A. Sections A-B will snap together and will not come apart. Slide the anchor strap F through the c-channel G in section D of periscope. Slide section D into section C. Sections C-D will not snap together and will come apart. Extend section D until bottom edge of periscope is 37" (94 cm) from floor. Do not try to line up periscope sections with dryer vent. Fasten the anchor strap to studs H with screws or nails (not included) 37" (94 cm) from floor.



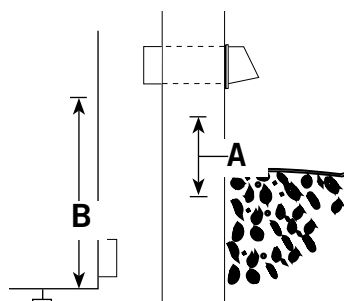
With closet installations and/or stack units, make sure the C-D sections are higher than the dryer vent.

1.

### Through wall vent hood

Do not try to line up the dryer vent with the vent hood tailpipe. Cut a 4" (10.2 cm) diameter hole in the wall approximately two feet (61 cm) A from the dryer vent. (This makes it easier to match the dryer venting.)

Keep the vent hood at least 12" (30.5 cm) B from the ground or any object outside the building.

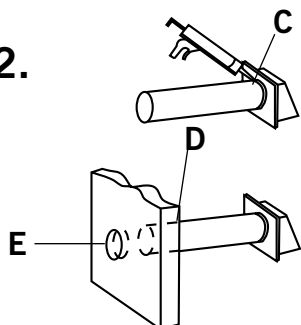


2.

Remove trim ring from the vent hood. Caulk back of face plate C.

From the outside, insert vent through the hole until face plate C is against outside surface D. If desired, secure with screws (not included).

From inside, slide the trim ring E over vent so it is against the inside wall. If desired, secure with screws (not included).

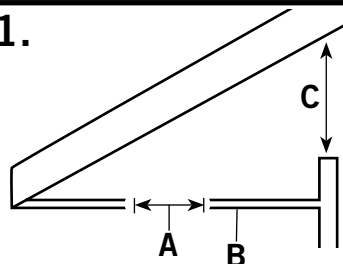


1.

### Eave Vent

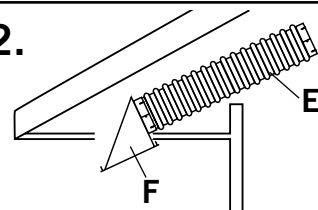
From the outside, cut a 5-1/4" (13.3 cm) x 5-1/4" (13.3 cm) hole A in the eave B, close to the outside edge.

Reach into the cutout and check for sufficient space C between roof decking and top plate of framing for 4" (10.2 cm) vent. Notch top plate to provide clearance if needed.



2.

Attach vent section E to eave vent F. Insert eave vent into cutout from outside. Check your local building codes for the proper type of vent to use.



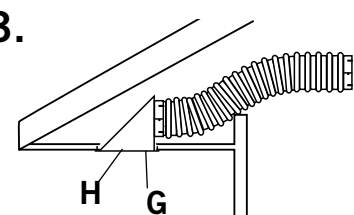
3.

Remove sticker G from back-draft flapper H. Flapper must move freely.

With 4 screws (not included) fasten the eave vent to the eave.

Eave vent is rustproof and can be painted or left natural.

From the inside, add sections of vent to complete the run to dryer.



### ! WARNING! IMPORTANT SAFETY INSTRUCTIONS • SAVE THESE INSTRUCTIONS

To reduce the risk of fire or injury to persons, follow basic precautions, including the following:

1. For use with clothes dryers only, do not use for any other purposes.
2. Keep area around the exhaust opening and adjacent areas free from the accumulation of lint, dust, and dirt.
3. The interior of the exhaust duct should be cleaned periodically (at least once a year) by qualified service personnel.
4. A gas dryer should always be vented outdoors.
5. Regularly inspect the exhaust duct to be sure that it has not become crushed or otherwise restricted.

### RECOMMENDATIONS

Clothes dryer should not be exhausted into a chimney, a wall, a ceiling, or a concealed space of a building. Local building codes shall be followed for installations.

Parts are covered by US patents: 5,121,948; 5,145,217; 5,133,579; 5,158,328; 5,498,204; 5,653,631; 5,819,435; 5,943,743; 6,035,495; 6,370,794; 6,390,510; D.335,174; D.342,130; D.342,782. Canadian patents 2,062,123; 2,063,098; 2,201,956; 2,279,599; 2,299,989; 2,317,863; Builder's Best, Inc., ® and/or patents pending. ©2014 all rights reserved