



Standard Adjustable Elbow Galvanized

DESCRIPTION

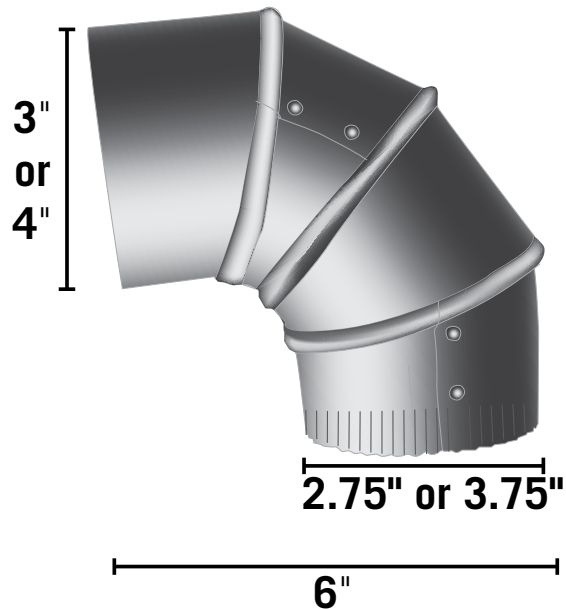
The Standard Adjustable Elbow is used for clothes dryer and general venting.

PRODUCT FEATURES

- One crimped end
- 4 piece sectional adjustability, from straight to 90° within 6"
- Can be used with rigid pipe, fitting applications and with flexible duct
- Used for positive and negative air pressure applications

PRODUCT SPECIFICATIONS

- 30 gauge galvanized steel
- Total height when straight is 9"



PART NUMBERS

Dia.	Material	Qty	Case #	Package
3"	Galvanized	12	110184	bulk
3"	Galvanized	900	110186	skid
4"	Galvanized	12	110181	bulk
4"	Galvanized	660	010187	skid

LABELS

