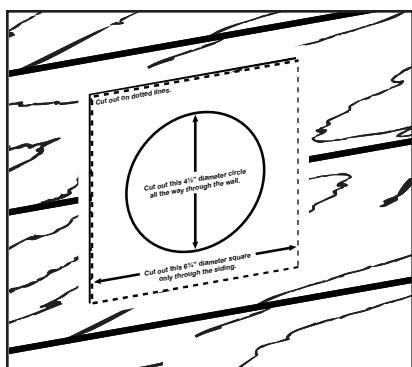
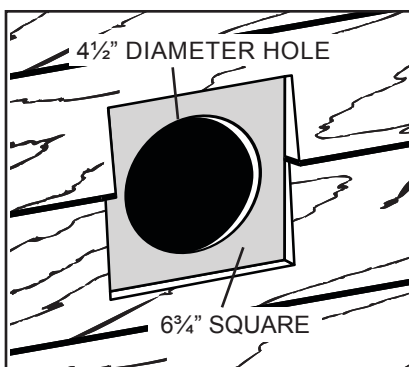


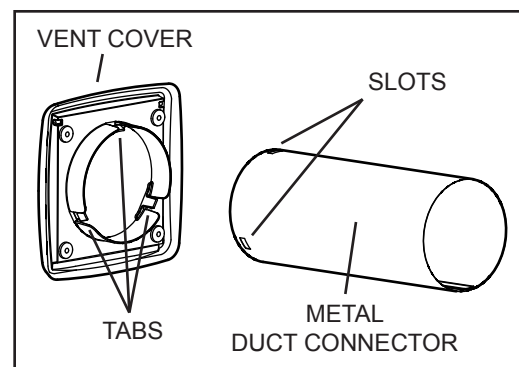
## WALL DUCTING KIT INSTALLATION INSTRUCTIONS



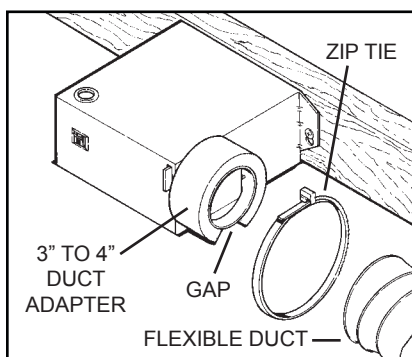
1. Cut out template below and trace outline on wall. Avoid placement where house wiring or plumbing is located.



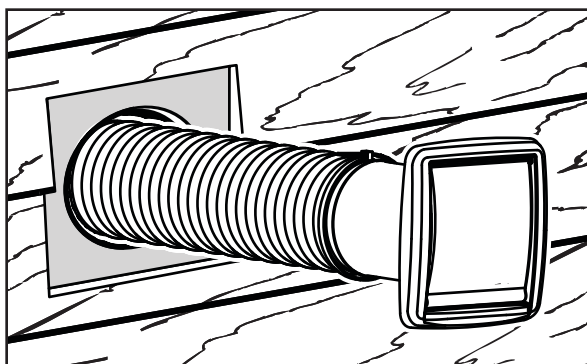
2. Cut 4 1/2" DIAMETER HOLE all the way through the wall. If wall is not flat: Remove any siding or other outer wall covering from inside 6 3/4" SQUARE - to create a flat surface



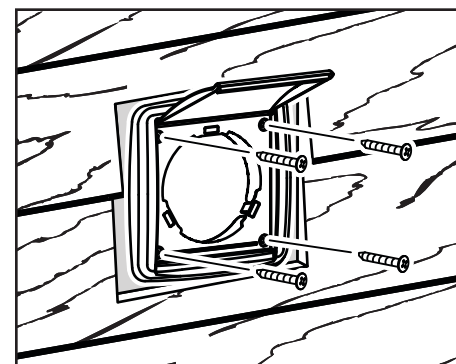
3. Connect METAL DUCT CONNECTOR together. Snap SLOTS in DUCT into TABS on VENT COVER.



4. Attach FLEXIBLE DUCT to fan's duct connector and secure with ZIP TIE. For fans with 3" duct connector: Remove protective backing from 3" TO 4" DUCT ADAPTER and wrap strip around duct connector with GAP at bottom, as shown. Squeeze duct adapter slightly to attach FLEXIBLE DUCT and secure with clamp.



5. Insert flexible duct through hole in wall and fasten flexible duct to metal duct connector and secure with the other zip tie.



6. Secure vent cover to wall with 4 SCREWS (included). Caulk around vent cover with a quality caulking compound.

### TEMPLATE FOR WALL OPENING

