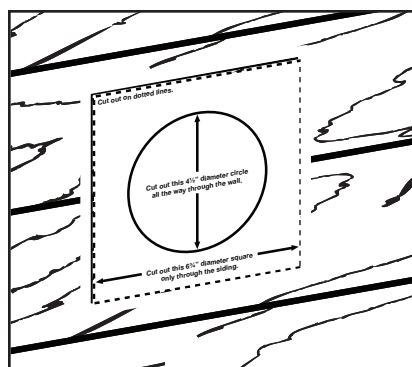
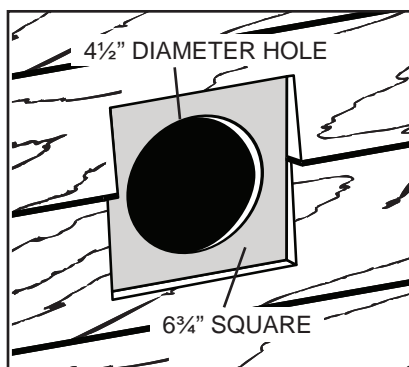


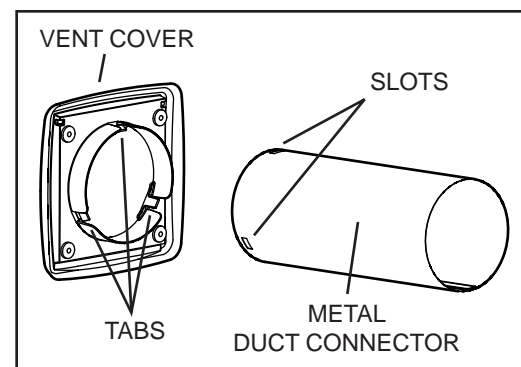
WALL CAP FOR 4-INCH ROUND DUCT INSTALLATION INSTRUCTIONS



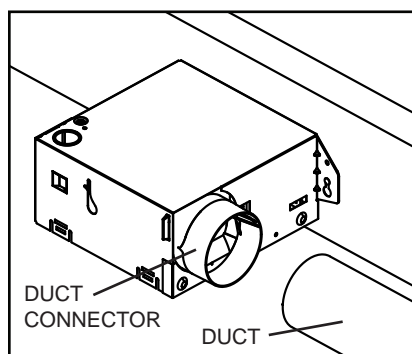
1. Cut out template below and trace outline on wall. Avoid placement where house wiring or plumbing is located.



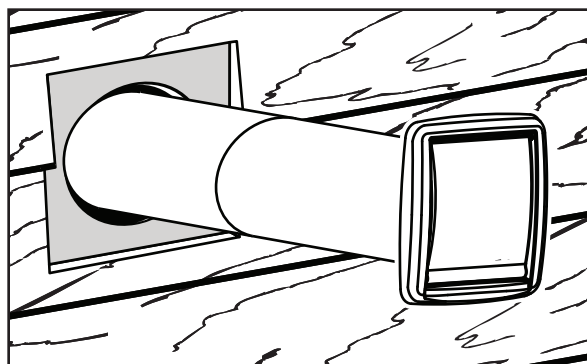
2. Cut 4½" DIAMETER HOLE all the way through the wall. If wall is not flat: Remove any siding or other outer wall covering from inside 6¾" SQUARE - to create a flat surface.



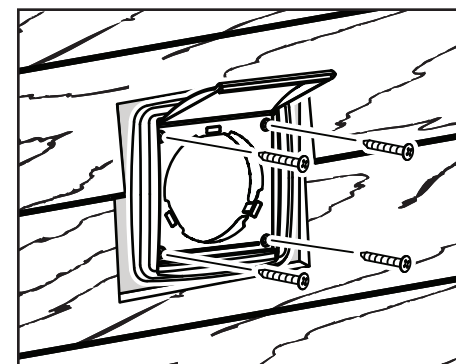
3. Connect METAL DUCT CONNECTOR together. Snap SLOTS in DUCT into TABS on VENT COVER.



4. Attach DUCT to fan's DUCT CONNECTOR.



5. Insert duct through hole in wall and fasten duct to metal duct connector. Use duct tape on all connections to make them secure and air-tight.



6. Secure vent cover to wall with 4 SCREWS (included). Caulk around vent cover with a quality caulking compound.

TEMPLATE FOR WALL OPENING

