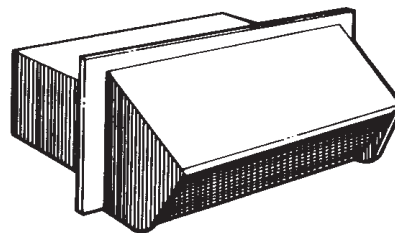
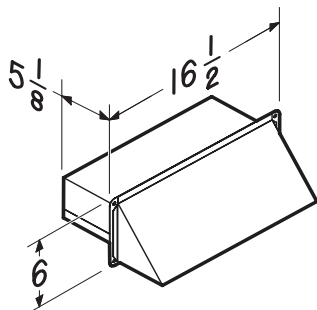


WALL CAPS



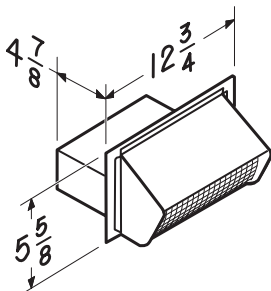
Model WC638

- For 3 1/4" x 14" duct
- Spring-loaded backdraft damper and bird screen
- 26 GA CRCQ Steel, black finish



Model 639

- For 3 1/4" x 10" duct
- Spring-loaded backdraft damper and bird screen
- 24 GA CRCQ Steel, black powder coat paint finish
- Do not use for dryer venting

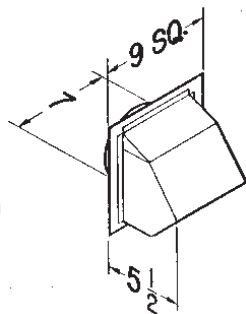


Model 649

- Same features as Model 639
- .025 Aluminum - natural finish

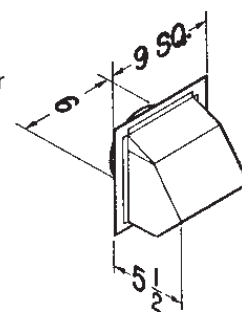
Model 647

- For 7" round duct
- Spring-loaded backdraft damper and bird screen
- .025 Aluminum - natural finish
- Do not use for dryer venting



Model 843BL

- For 6" round duct
- Spring-loaded backdraft damper and bird screen
- 22 GA CRCQ Steel, black powder coat paint finish
- Attachment collar 1 1/4" long
- Do not use for dryer venting



Model 641

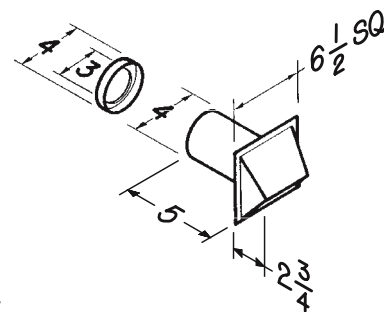
- Same features as Model 843BL
- .025 Aluminum - natural finish

Model 641FA

- Same features as Model 641
- Without backdraft damper
- Includes mesh screen
- Intended for make-up air inlet applications

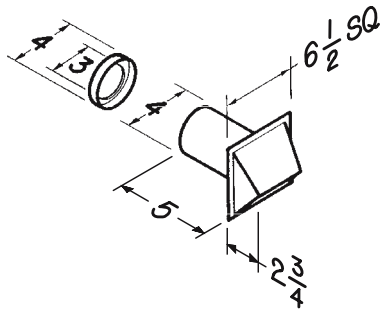
Model 885BL

- For 3" or 4" round duct (4" to 3" transition included)
- Spring-loaded backdraft damper and bird screen
- 24 GA CRCQ Steel, black powder coat paint finish
- Do not use for dryer venting



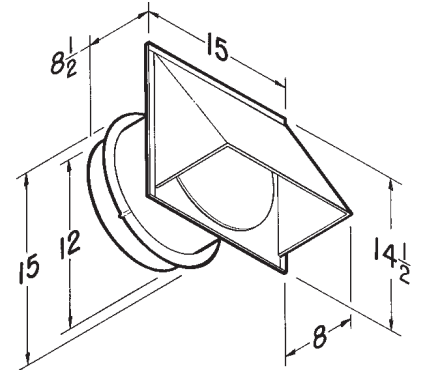
Model 885AL

- For 3" or 4" round duct (4" to 3" transition included)
- Spring-loaded backdraft damper and bird screen
- .025 Aluminum - natural finish
- Do not use for dryer venting



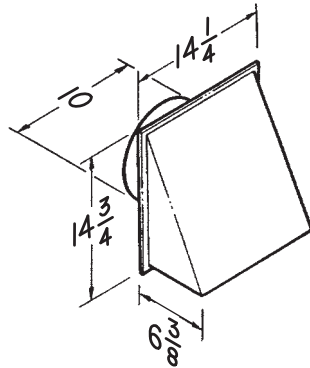
Model 613

- For 12" round duct
- High capacity
- Built-in backdraft damper and bird screen
- .025 Aluminum - natural finish



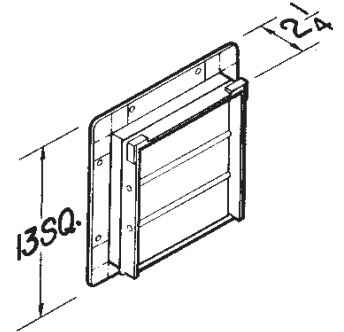
Model 610FA

- For 10" round duct
- .025 Aluminum - natural finish
- Attachment collar 3-3/8" long
- Without backdraft damper
- Includes mesh screen
- Intended for make-up air inlet applications



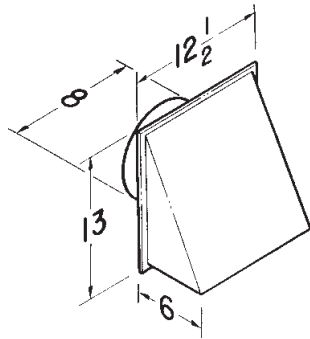
Model 441

- Gravity dampers
- Collar with bird screen for attaching 10" round duct
- 24 GA CRCQ steel construction with aluminum louvers



Model 643

- For 8" round duct
- Built-in backdraft damper
- .025 Aluminum - natural finish
- Attachment collar 3-3/8" long

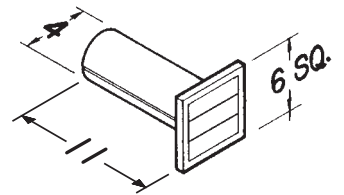


Model 643FA

- Same features as Model 643
- Without backdraft damper
- Includes mesh screen
- Intended for make-up air inlet applications

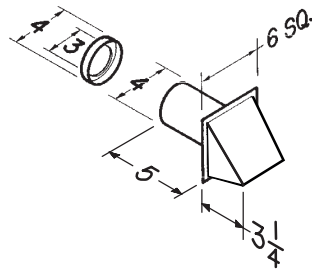
Model 450 Flexible Wall Ducting Kit

- Includes 5 ft. of 4", flexible, vinyl ducting, 4" diameter metal duct connector, 2 duct clamps, 4" to 3" reducer and a white polymeric louvered wall vent



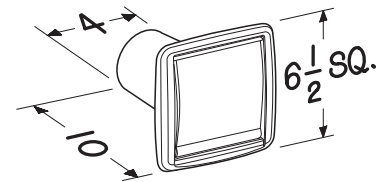
Model 642

- For 4" round duct (4" to 3" transition included)
- Built-in backdraft damper
- Aluminium - natural finish
- Do not use for dryer venting



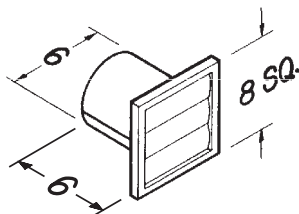
Model WC650

- White wall cap for 4" round duct - includes 4 mounting screws
- Engineered resin material for impact and UV resistance
- Weighted backdraft damper guards against wind, birds or lint build-up
- 4" diameter metal duct connector



Model 646

- For 6" round duct
- Polymeric construction - white finish



Model WVK2A Flexible Wall Ducting Kit

- Includes 5 ft. of 4", flexible, 2-ply metallic laminate ducting, 10" long 4" diameter metal duct, 2 duct clamps, 4" to 3" reducer, an engineered resin material wall cap with white finish, and mounting screws
- Duct conforms to UL181 Class 1 air connector requirements
- Do not use for dryer venting

