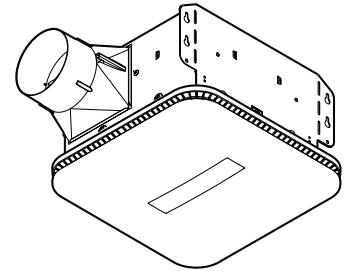


# MODEL AR110LKVV FLEX™ SERIES FAN with Vyy™ *SurfaceShield™* LIGHT MODULE



### DESCRIPTION

#### BLOWER:

- Plug-in, permanently lubricated motor - engineered for continuous operation
- Dynamically balanced centrifugal blower wheel for quiet, efficient performance
- Low RPM for quiet operation

#### HOUSING:

- Rugged, 26 gauge, galvanized steel construction
- Polymeric, 4" duct connector with tapered sleeve and no metallic clatter
- 5-3/4" height allows for 2" x 6" ceiling installations
- Sturdy, easy, four-point mounting directly to joist
- Can be mounted in ceilings up to 7/12 pitch

#### GRILLE:

- Polymeric construction
- Innovative design - the result of extensive research with designers and consumers

#### CONTROLS (Purchase separately):

- Refer to Broan's catalog for a complete line of accessories to effectively adapt these fans to your construction requirements

U.L. Listed for use over bathtubs and showers when connected to a GFCI protected branch circuit (ceiling mount only)

U.L. Listed for use in insulated ceilings (TYPE I.C.)

3-Year Warranty

#### Vyy™ SURFACESHIELD™ LIGHT MODULE

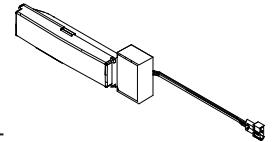
- Dimmers are not recommended to optimize SurfaceShield™ mode

#### White Light Mode

- 3500K color temperature provides soft white light - ideal for bathroom illumination
- LED lasts up to 25,000 hours for maintenance-free convenience
- Operates at < 11W
- Light output: ≥ 800 lumens
- Color rendering index (CRI): ≥ 90
- Luminous efficacy: ≥ 65 lm/W

#### SurfaceShield™ Mode (Violet)

- LED lasts up to 25,000 hours for maintenance-free convenience
- Operates at < 11W
- SurfaceShield™ technology with Vyy™ antimicrobial light technology prevents mold, mildew, and bacteria growth
- For maximum effectiveness, the LED module shall remain active in SurfaceShield™ mode at all times (24 hours a day recommended)
- Surfaces within 5 feet of direct light will be impacted the most from SurfaceShield™ mode



### TYPICAL SPECIFICATION

Fan / Light shall be Broan Model AR110LKVV.

Fan / Light shall have corrosion resistant galvanized steel housing with four-point mounting capability. It shall be ducted to a roof or wall cap using 4" round ductwork.

Blower assembly shall be removable, have a centrifugal-type blower wheel and a permanently lubricated motor designed for continuous operation.

Non-metallic damper/duct connector shall be included.

Air delivery shall be no less than the airflow values and no greater than the sound level values listed in the HVI Performance Specifications provided in this specification (see following chart). All air and sound ratings shall be certified by HVI.

Ceiling Ventilator shall be U.L. Listed for use in insulated ceilings (Type I.C.) and for use over bathtubs and showers when connected to a GFCI protected branch circuit.



# PERFORMANCE RATINGS

## FLEX™ SERIES FAN with Vyv™ SurfaceShield™ LIGHT MODULE

### HVI PERFORMANCE

0.1 Ps - Static Pressure (in H2O)				0.25 Ps
Airflow (CFM)	Sound (Sones)	Power (Watts)	Efficacy (CFM / W)	Airflow (CFM)
110	1.0	23.4	4.71	92



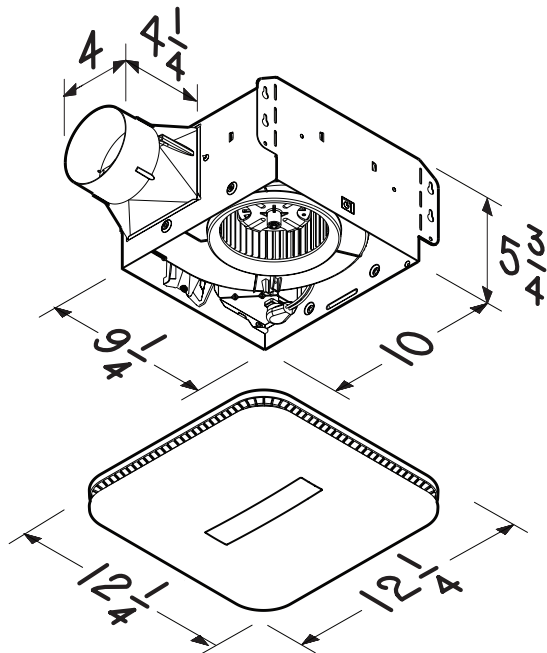
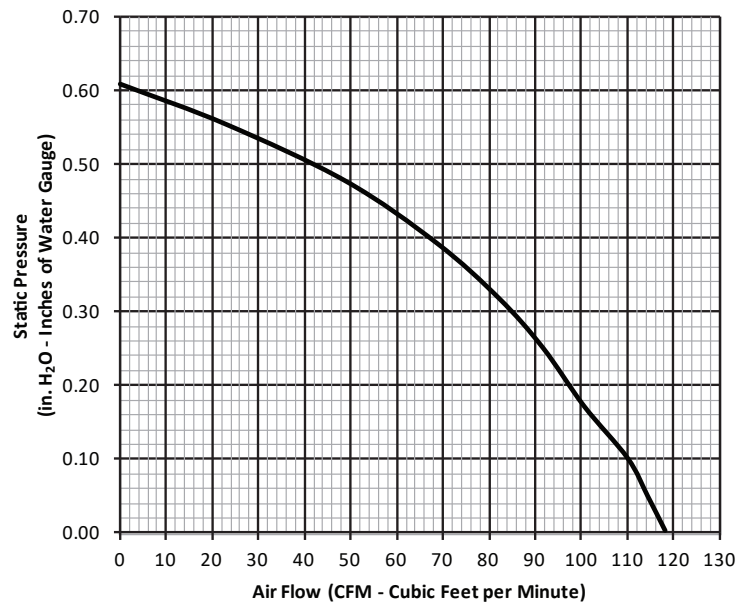
HVI-2100 CERTIFIED RATINGS comply with new testing technologies and procedures prescribed by the Home Ventilating Institute, for off-the-shelf products, as they are available to consumers. Product performance is rated at 0.1 and 0.25 in. static pressure, based on tests conducted in a state-of-the-art test laboratory. Sones are a measure of humanly-perceived loudness, based on laboratory measurements.

### ELECTRICAL & WEIGHT

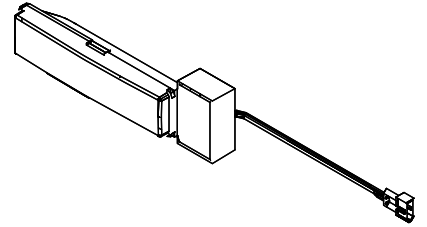
Volts	Hz	Amps*	Shipping Weight
120	60	0.3	10.0

\* Total connected load.

### AIR FLOW PERFORMANCE



# VitalVio® SurfaceShield™ LIGHT MODULE



### DESCRIPTION

- Dimmers are not recommended to optimize SurfaceShield™ mode

#### White Light Mode

- 3500K color temperature provides soft white light - ideal for bathroom illumination
- LED lasts up to 25,000 hours for maintenance-free convenience
- Operates at < 11W
- Light output: ≥ 800 lumens
- Color rendering index (CRI): ≥ 90
- Luminous efficacy: ≥ 65 lm/W

#### SurfaceShield™ Mode (Violet)

- LED lasts up to 25,000 hours for maintenance-free convenience
- Operates at < 11W
- SurfaceShield™ technology powered by Vital Vio® prevents mold, mildew, and bacteria growth
- For maximum effectiveness, the LED module shall remain active in SurfaceShield™ mode at all times (24 hours a day recommended)
- Surfaces within 5 feet of direct light will be impacted the most from SurfaceShield™ mode

### TYPICAL SPECIFICATION

Light Module shall be Broan VitalVio® SurfaceShield™.

Light Module shall provide 3500K color temperature soft white LED light and last up to 25,000 hours.

SurfaceShield™ mode violet light powered by Vital Vio® will operate at less than 11 Watts, and prevent mold, mildew, and bacteria growth.

Light Module is recommended to remain active in SurfaceShield™ mode 24 hours a day.

