

## CUSTOM HOOD LINER INSTALLATION SHEET

MODELS:  
 RML3336S, RML3342S, RML4548S, RML4554S,  
 RML4560S, RML5230S, RML5236S, RML5236L,  
 RML7030L, RML7036L, RML7048L, RML7030S,  
 RML7036S, RML7048S

### PRELIMINARY INSTRUCTIONS

This instruction sheet applies to many liner models, so the illustrations shown are typical ones.

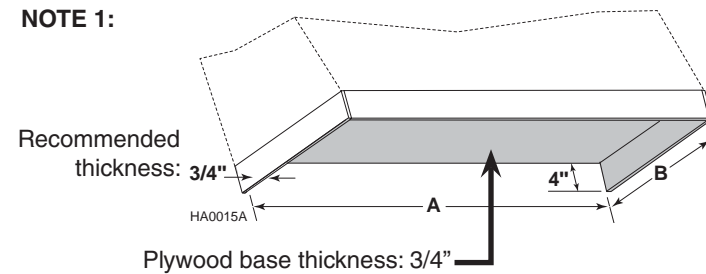
#### ⚠ WARNING

**When building a custom hood for an insert or power pack, always follow all applicable construction codes and standards.**

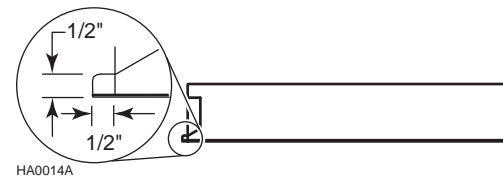
See the table and illustrations below to locate your liner and use corresponding custom hood base dimensions. For the liner installation, only the bottom of the custom hood is needed. Do not finalize the entire custom hood yet, because an access is needed for the insert or power pack electrical connection.

LINER MODELS	INSERT OR POWER PACK MODELS	INSIDE WIDTH (A)	INSIDE DEPTH (B)	
			WITHOUT BACKBOARD	WITH BACKBOARD
RML3336S	RMIP33	34½"	22 7/8" TO 25 7/8"	22½" TO 25½"
RML3342S	RMIP33	40½"	22 7/8" TO 25 7/8"	22½" TO 25½"
RML4548S	RMIP45	46½"	22 7/8" TO 25 7/8"	22½" TO 25½"
RML4554S	RMIP45	52½"	22 7/8" TO 25 7/8"	22½" TO 25½"
RML4560S	RMIP45	58½"	22 7/8" TO 25 7/8"	22½" TO 25½"
RML5230S	PM500SS	28½"	17½" TO 20½"	17 1/8" TO 20 1/8"
RML5236S	PM500SS	34½"	17½" TO 20½"	17 1/8" TO 20 1/8"
RML5236L	PM500SS	34½"	20½" TO 23½"	20 1/8" TO 23 1/8"
RML7030L	RMP1 OR RMPE	28½"	20½" TO 23½"	20 1/8" TO 23 1/8"
RML7036L	RMP1 OR RMPE	34½"	20½" TO 23½"	20 1/8" TO 23 1/8"
RML7048L	RMP1 OR RMPE	46½"	20½" TO 23½"	20 1/8" TO 23 1/8"
RML7030S	RMP1 OR RMPE	28½"	17½" TO 20½"	17 1/8" TO 20 1/8"
RML7036S	RMP1 OR RMPE	34½"	17½" TO 20½"	17 1/8" TO 20 1/8"
RML7048S	RMP1 OR RMPE	46½"	17½" TO 20½"	17 1/8" TO 20 1/8"

#### NOTE 1:



#### NOTE 2:



NOTES: 1. We recommend the base of the custom hood should be 3/4" thick plywood. We recommend the sides, front and backboard (if included) of the custom hood to be 3/4" thick, assuming standard cabinet widths. The INSIDE DEPTH shown in the table above assumes a minimum cabinet backboard thickness of 3/8".

2. If the custom hood base has a backboard, scribe in two (2) 1/2" notches to allow for the side flange extension of the main liner plate, if necessary.

Consider the shape and size of the insert or power pack to determine the configuration of the custom hood. For more details, refer to the installation manual of the insert or power pack.

For custom hood liner detailed installation instructions, see the reverse of this page.

## CUSTOM HOOD LINER INSTALLATION

### CAUTION

**Before installing, remove the protective plastic film from all parts.**

NOTES: 1. The custom hood liner must be installed before the insert or power pack unit. For installation into shallow cabinets (approximately 23 3/4" and under), the insert must be installed before the liner front panel section. This must be done as the insert flange must fit under the liner front panel section when an overlap occurs.

2. Refer to insert or power pack instructions for mounting height details.

❶ Install one small pad (A), included in the parts bag, on each side of the main liner plate. (See figures 1 and 2.)

❷ Using the screws provided, temporarily install the main liner plate (B) to the external base of the cabinet (C). (See figure 2.)

NOTES: 1. When inserting the main liner plate, push slightly on the small pads (A) to prevent being damaged.

2. Main liner plate should be positioned in custom hood as far rearward as possible.

❸ Using a pen, mark the outline of the future hole for the power pack (or insert). (See figure 3.)

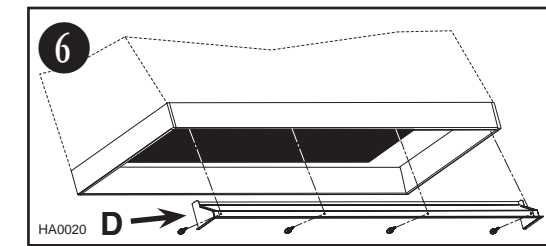
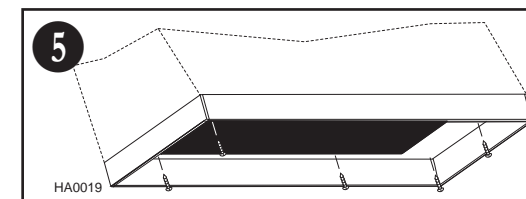
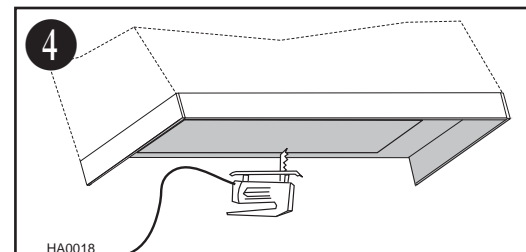
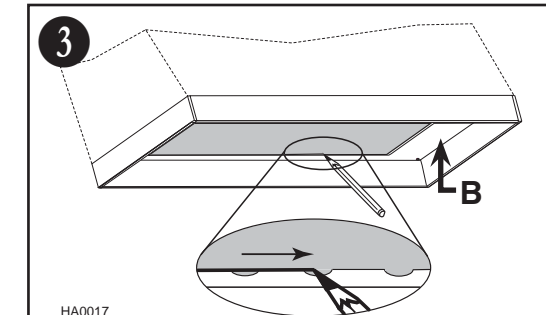
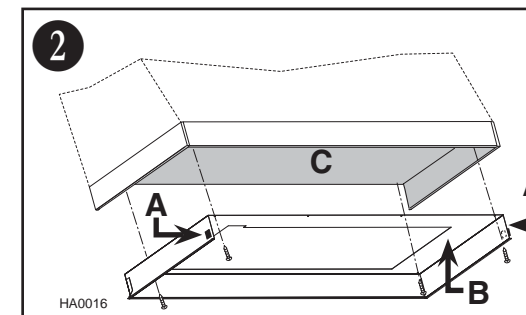
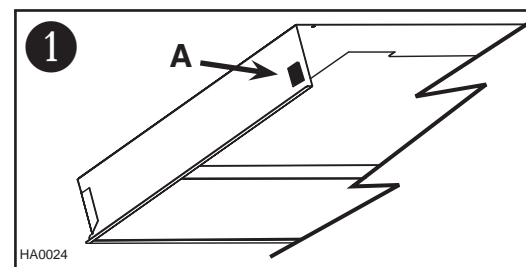
NOTE: Some liner models have half-moon cut-outs (see figure 3 inset) on front and rear sides. Disregard these shapes when marking the outline; just trace a straight line. Including the half-moon shapes in the actual cut-out (step 4) will cause mounting problems.

Remove the main liner plate (B) from the custom hood.

❹ Cut the hole in the bottom of the cabinet. (See figure 4.)

❺ Reinstall the main liner plate to the base of the cabinet and secure it with 5 screws for liner width from 30" to 48", or 6 screws for larger liners. (See figure 5.)

❻ Slide the front panel section (D) forward into the nose of the cabinet base, as shown in figure 6. Take care not to scratch main liner plate when installing front panel section of liner. Assemble it to the cabinet, using one screw per screw hole.



### SERVICE PARTS

SV05864	Parts bag	2 pads	10 screws
---------	-----------	--------	-----------