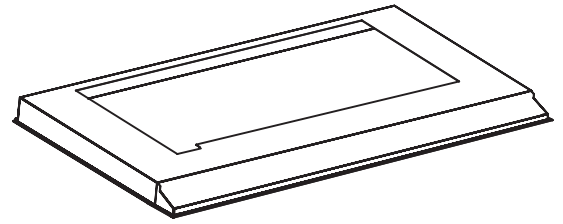


RML3336S, RML3342S, RML4548S, RML4554S, AND RML 4560S LINERS



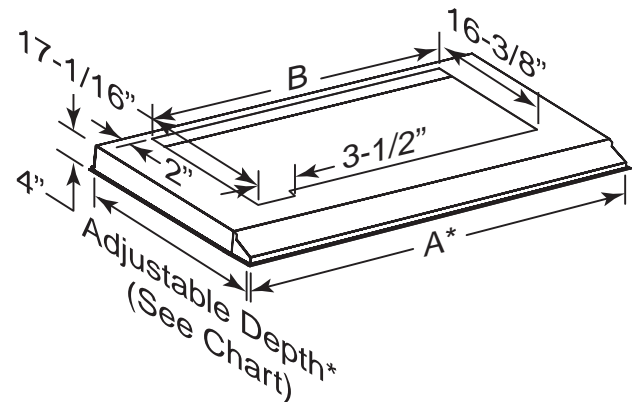
Especially designed to protect the exterior base of a custom hood. Fit RMIP inserts.

FEATURES

- Cabinet mount – custom application
- Stainless Steel Finish
- Adjustable depth to fit into cabinet openings as shown in chart (front to back)
- Fit custom hood nominal widths: 36", 42", 48", 54" or 60"
- Wipes clean easily

TO ORDER

Refer to table below to find the right liner part number for your insert and for width of the custom hood.



* Dimension does not include 3/8" wide flange.

DIMENSIONS

Liner Model	Insert Model	Custom Hood Nominal Width	Adjustable Depth* Fits into cabinet openings of		Width A*	Cut-out Width B
			Without Backboard	With Backboard		
RML3336S	RMIP33	36"	22 7/8" to 25 7/8"	22 1/2" to 25 1/2"	34 3/8"	32 1/2"
RML3342S	RMIP33	42"	22 7/8" to 25 7/8"	22 1/2" to 25 1/2"	40 3/8"	32 1/2"
RML4548S	RMIP45	48"	22 7/8" to 25 7/8"	22 1/2" to 25 1/2"	46 3/8"	44 1/2"
RML4554S	RMIP45	54"	22 7/8" to 25 7/8"	22 1/2" to 25 1/2"	52 3/8"	44 1/2"
RML4560S	RMIP45	60"	22 7/8" to 25 7/8"	22 1/2" to 25 1/2"	58 3/8"	44 1/2"

The INSIDE DEPTH shown in the table above assumes a minimum cabinet backboard thickness of 3/8".