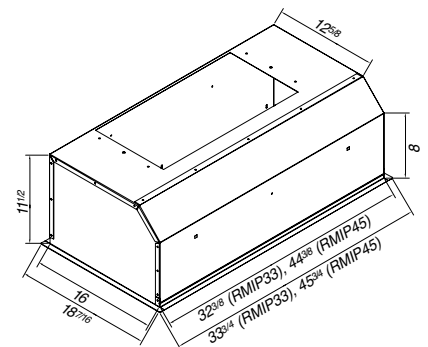




Shown with optional baffle filters



RMIPWC Optional Wall Control



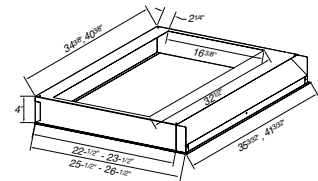
Broan Elite RMIP Series

The Broan RMIP Pro-Style Insert offers powerful, professional performance.

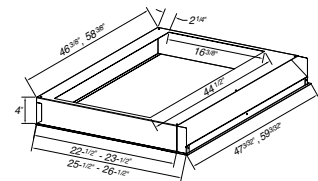
- Brushed stainless steel finish.
- Dishwasher-safe stainless steel/aluminum filters or optional baffle filters.
- Bright halogen lighting; two 50-watt lamps (bulbs not included).
- Variable-speed control.
- Heat Sentry™ detects excessive heat and adjusts blower to high automatically.
- Choice of 10 HVI Certified blower options for internal or external mount (sold separately). (Rough-In Kit required for external blowers #332KR).
- Optional wall remote control for quiet operation (sold separately).
- Optional liners protect custom hoods and are available for 36", 42", 48" and 60" widths.
- Design allows use with custom liners.
- Pro-Style Insert available in 33" and 45" widths.

3 Easy Steps

1. Select model:
RMIP33
RMIP45
2. Select a liner:
RML3336S 36" width, use with RMIP33
RML3342S 42" width, use with RMIP33
RML4548S 48" width, use with RMIP45
RML4554S 54" width, use with RMIP45
RML4560S 60" width, use with RMIP45
3. Select an internal or external blower.



Liner for RMIP33



Liner for RMIP45

Dimensions shown are in inches.

SPECIFICATIONS

MODEL	WIDTH	BLOWER*	LINER 36"	LINER 42"	LINER 48"	LINER 54"	LINER 60"
RMIP33	33"	Internal	RML3336S	RML3342S			
		External	RML3336S	RML3342S			
RMIP45	45"	Internal			RML4548S	RML4554S	RML4560S
		External			RML4548S	RML4554S	RML4560S

OPTIONS

RBFIP33	Baffle Filter Kit RMIP33	V05865	Replacement Aluminum Filter RMIP33
RBFIP45	Baffle Filter Kit RMIP45	V05866	Replacement Aluminum Filter RMIP45
RMIPWC	Remote Control		

* Internal and external blowers sold separately.



87434B13/04