

READ AND SAVE THESE INSTRUCTIONS

Installer: leave this guide with homeowner.

RDFQL Premium Radiation Damper **INSTALLATION GUIDE**

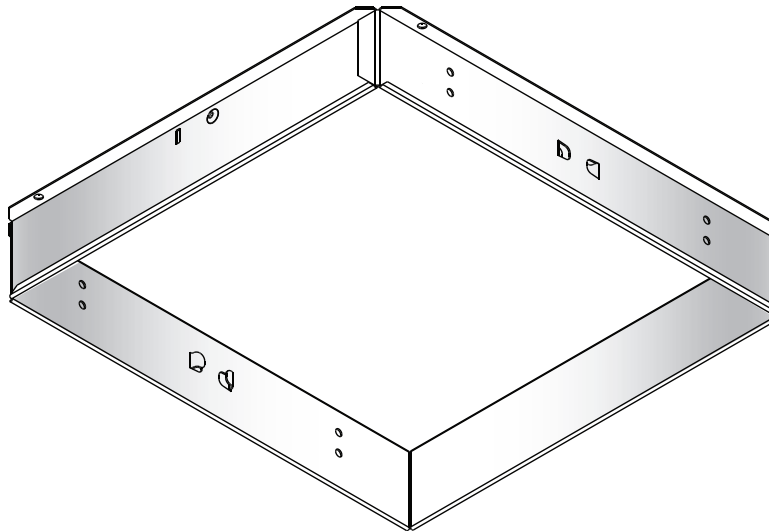
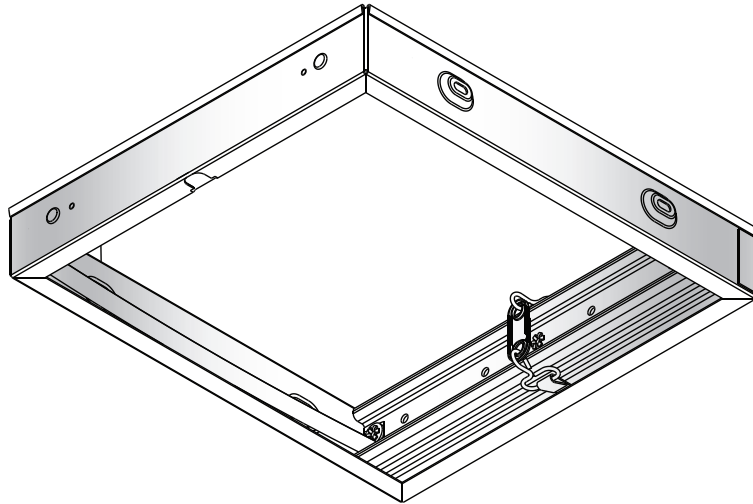


Table of Contents

Usage	2
Preparation	2
Installation	3
Service Feature For Fans	4
Warranty	4

Easy installation

Usage

For use with 1, 2, or 3-Hour-Rated Floor-Ceiling and Roof-Ceiling Designs.

Flat Ceiling / Horizontal Mount Only.

For use with the following ventilation fan models:

Broan QTRE080FLT, QTRE110FLT, QTXE080FLT, QTXE110FLT, QTXE110SFLT, QTRE110FLFT, QTRE080FLFT, QTXE110S

NuTone QTREN080FLT, QTREN110FLT, QTXEN080FLT, QTXEN110FLT, QTXEN110SFLT, QTREN110FLFT, QTREN080FLFT, QTXEN110S



SEE DETAILS ON
UL CLASSIFICATION
MARKING ON PRODUCT

Preparation

Lengthen Light and / or Sensor Lead Wires in Fan

These steps are best performed before installing the fan. Place corrugated under the fan to protect counter tops and work surface. Follow these steps before installing the radiation damper.

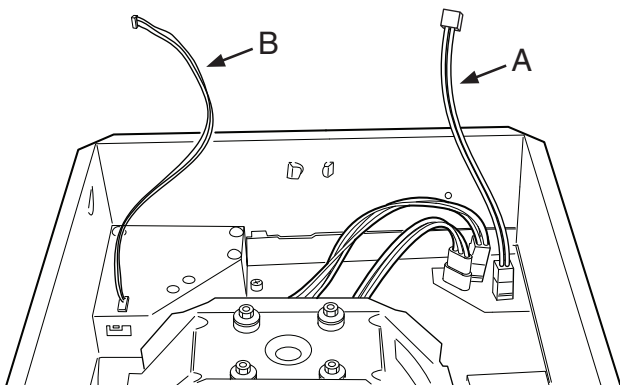
Light and sensor lead wires must be made longer to fit the radiation damper. You must install the following:

(1) jumper for lighted fan models (included with the radiation damper)

If your fan is equipped with a motion or humidity sensor, you must purchase jumper kit model RDJUMPQ from your local Broan-NuTone dealer or distributor. Each kit contains:

(1) jumper for sensor fan models

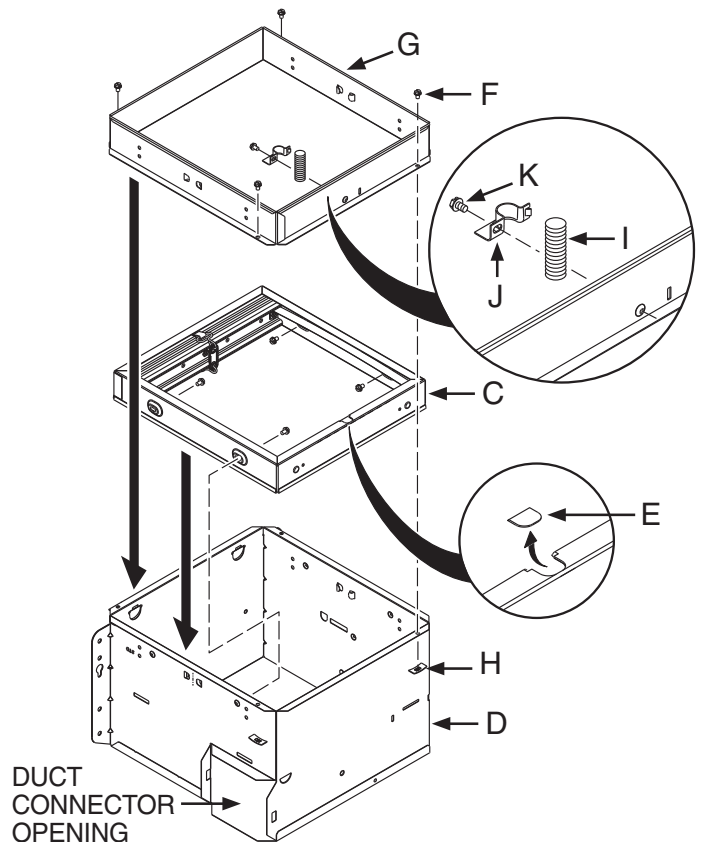
1. Connect one end of the **LIGHTING JUMPER (A)** (supplied with radiation damper) to mating connector in the fans wiring box.
2. Connect one end of the **SENSOR JUMPER (B)** (supplied with model RDJUMPQ) to mating connector in the fans wiring box.



Attach Damper Assembly to Fan

3. Position **RADIATION DAMPER (C)** down inside the **FAN HOUSING (D)**. Align slots in the damper with holes in the fan housing. NOTE POSITION OF **KNOCKOUT (E)** RELATIVE TO **DUCT CONNECTOR OPENING** IN THE FAN. Secure damper with (4) **#8 X 3/8" HEX HEAD SHEET METAL SCREWS (F)** supplied in damper parts bag. Do not over tighten.

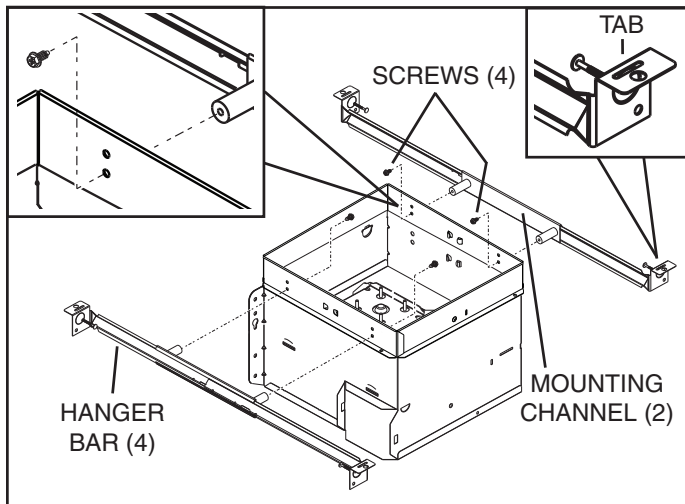
4. Position the **RADIATION DAMPER EXTENSION (G)** on top of the fan. Align (4) holes in the extension with holes in the fan housing.
5. Fasten the damper extension to the fan with supplied (4) **#8 X 3/8" HEX HEAD SHEET METAL SCREWS (F)** and (4) **SHEET METAL NUTS (H)**.
6. Route **JUMPER(S) (A) (B)** towards the **KNOCKOUT (E)** in the damper frame. Remove knockout with pliers.
7. Press jumper wires into **PLASTIC SPLIT TUBE INSULATOR (I)** (supplied in damper parts bag). Push plastic split tubing into knockout opening.
8. Attach supplied **CABLE CLAMP (J)** to side of damper frame. Align tab on cable clamp with mating slot in damper extension. Secure clamp with supplied **#8 SHEET METAL SCREW (K)**.



Preparation

Install Hanger Bar Mounting Channels

- Fasten mounting channels to the radiation damper extension using screws (supplied with fan). Make sure tabs face "up" as shown. Use lower set of holes to mount the fan flush with bottom of drywall.

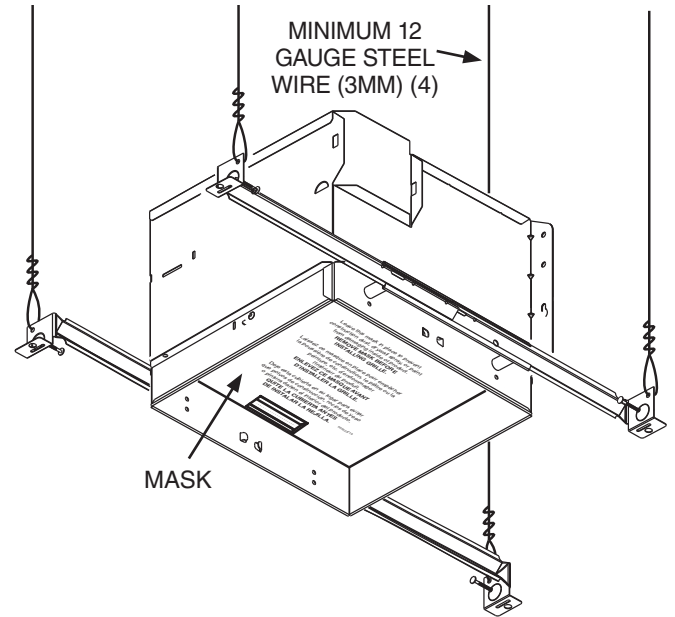


Installation

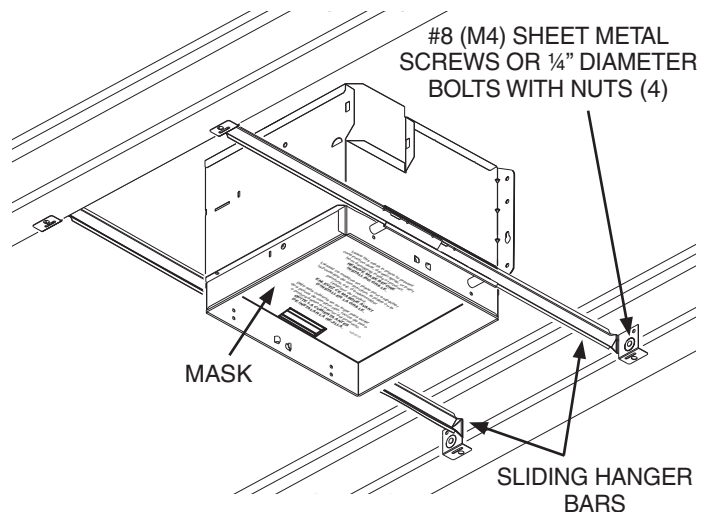
Install Fan / Radiation Damper In Ceiling

MAKE SURE FINISHED CEILING IS FLUSH WITH BOTTOM EDGE OF RADIATION DAMPER EXTENSION (G).

- If the fan assembly is hung from the structure above, **MINIMUM 12 GAUGE STEEL WIRE (3MM)** must be used to suspend the fan. Use one wire on each side of fan and secure to mounting channels as shown.



- If the fan is directly mounted to adjacent ceiling structure, use **#8 (M4) SHEET METAL SCREWS OR 1/4" DIAMETER BOLTS WITH NUTS** to fasten **SLIDING HANGER BARS**. Sliding hanger bars are provided to allow for accurate positioning of fan between ceiling members.



Installation

Finish Fan Installation

12. Follow instructions packed with the fan to connect ductwork and electrical wiring.
13. Install corrugated **MASK** to protect damper and fan from drywall spray, construction dust, etc.
14. Finish ceiling around damper housing. Ceiling opening must be no larger than the outside of the radiation damper.

Install Grille

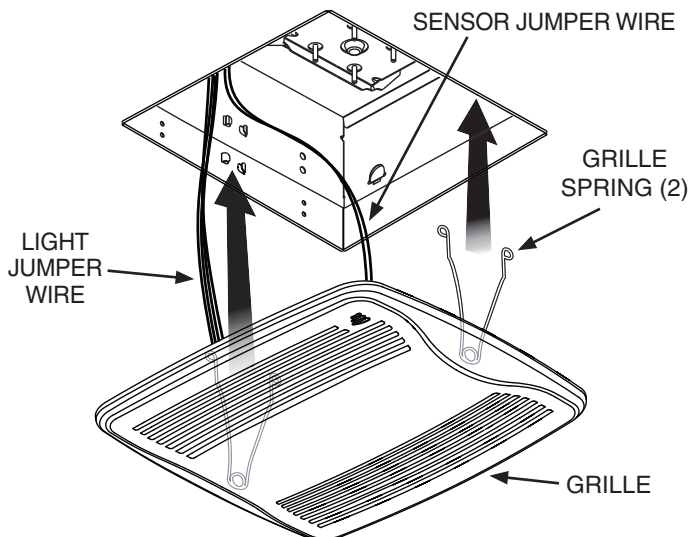
REMOVE THE MASK BEFORE INSTALLING GRILLE OR OPERATING FAN.

On fan models equipped with light:

15. Attach connector from the **LIGHT JUMPER WIRE** to mating connector(s) from the grille.

On fan models equipped with motion or humidity sensor:

16. Carefully remove the wire from the grille's motion or humidity sensor.
17. Connect **SENSOR JUMPER WIRE** into the sensor's connector located on the grille.
18. Squeeze **GRILLE SPRINGS** and slide into tabs on the radiation damper frame. Push grille until it's tight against ceiling surface.
19. Follow instructions packed with the fan to finish the installation.



Service Feature For Fans

If your ventilation fan needs service, the inner damper can be removed from the outer frame without disturbing the surrounding ceiling material.

Remove the grille and disconnect all electrical connections from the grille.

Remove (4) screws, then lower the inner damper to access ventilation fan. Replace the inner damper before operating fan.