

READ AND SAVE THESE INSTRUCTIONS

Installer: leave this guide with homeowner.

RDFQF

Premium

Radiation Damper

INSTALLATION GUIDE

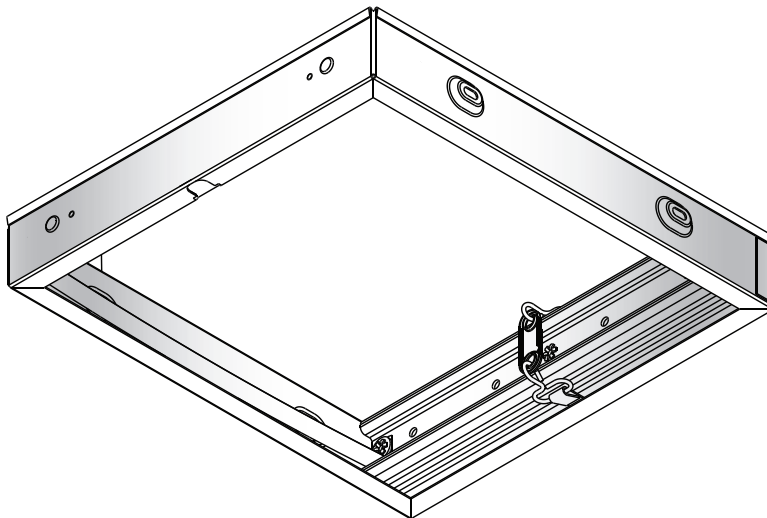


Table of Contents

Usage	2
Preparation	2
Installation	3
Service Feature For Fans	4
Warranty	4

Easy installation

Usage

For use with 1, 2, or 3-Hour-Rated Floor-Ceiling and Roof-Ceiling Designs.

Flat Ceiling / Horizontal Mount Only.

For use with the following ventilation fan models:

Broan QTRE080, QTRE080C2S, QTRE080R, QTRE110, QTXE050, QTXE080, QTXE110, SSQTXE110, SSQTXE080, QTR110F, QTRE110F, QTR080F and QTRE080F

NuTone QTREN080, QTREN110, QTXEN050, QTXEN080, QTXEN110, Smart-Sense, QTRN110F, QTREN110F, QTRN080F and QTREN080F

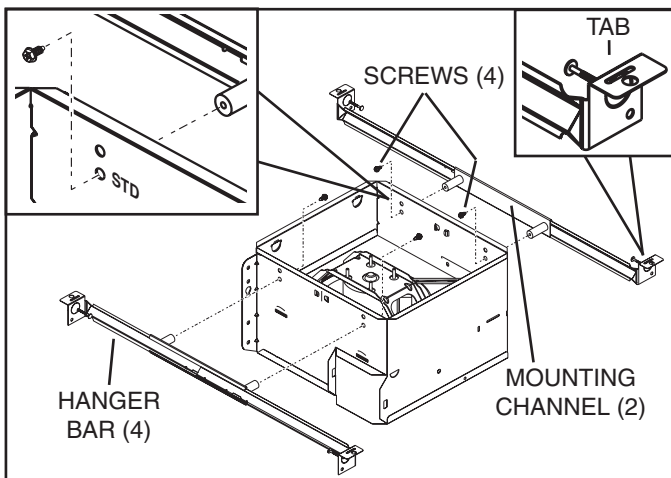


SEE DETAILS ON
 UL CLASSIFICATION
 MARKING ON PRODUCT

Preparation

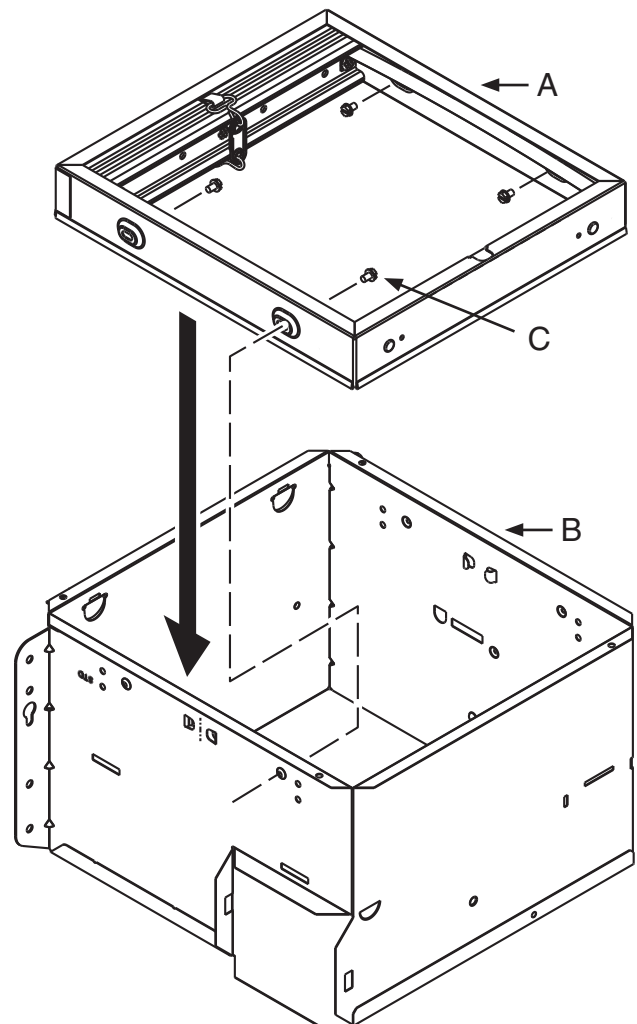
Install Hanger Bar Mounting Channels

1. Fasten mounting channels to the fan housing using screws (supplied with fan). Make sure tabs face "up" as shown. Use lower set of hole to mount the fan flush with bottom of drywall.



Attach Damper Assembly to Fan

2. Position **RADIATION DAMPER (A)** down inside the **FAN HOUSING (B)**. Align slots in the damper with holes in the fan housing. Secure damper with **(4) #8 X 3/8" HEX HEAD SHEET METAL SCREWS (C)** supplied in damper parts bag. Do not over tighten.

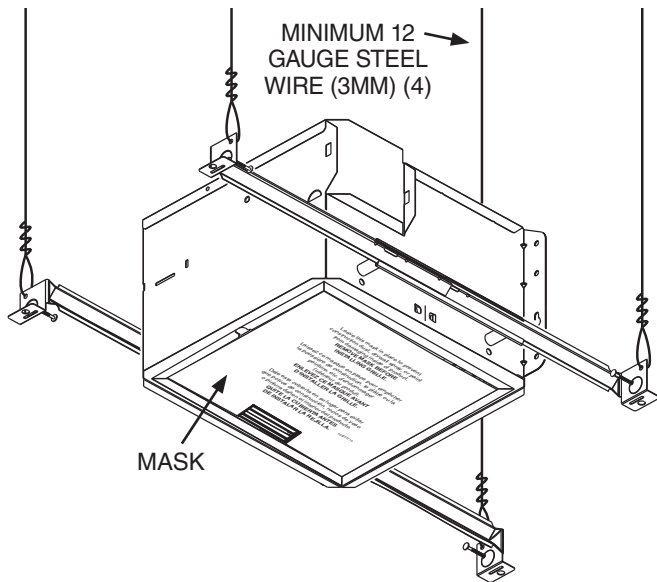


Installation

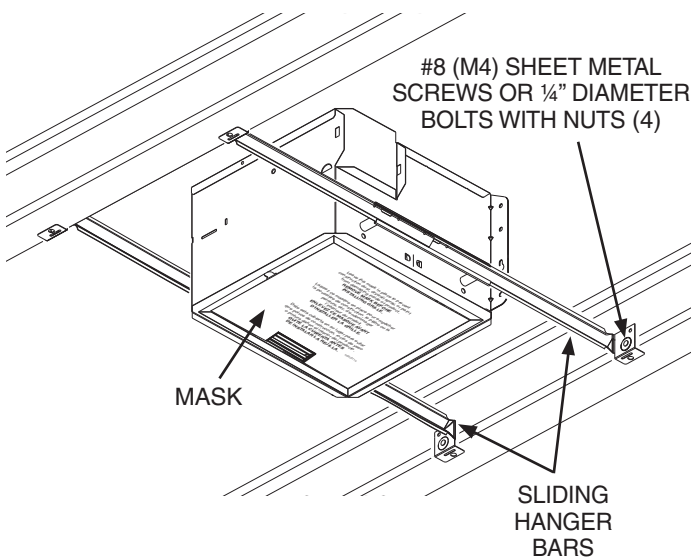
Install Fan / Radiation Damper In Ceiling

MAKE SURE FINISHED CEILING IS FLUSH WITH BOTTOM EDGE OF FAN HOUSING.

- If the fan assembly is hung from the structure above, **MINIMUM 12 GAUGE STEEL WIRE (3MM)** must be used to suspend the fan. Use one wire on each side of fan and secure to mounting channels as shown.



- If the fan is directly mounted to adjacent ceiling structure, use **#8 (M4) SHEET METAL SCREWS OR 1/4" DIAMETER BOLTS WITH NUTS** to fasten **SLIDING HANGER BARS**. Sliding hanger bars are provided to allow for accurate positioning of fan between ceiling members.



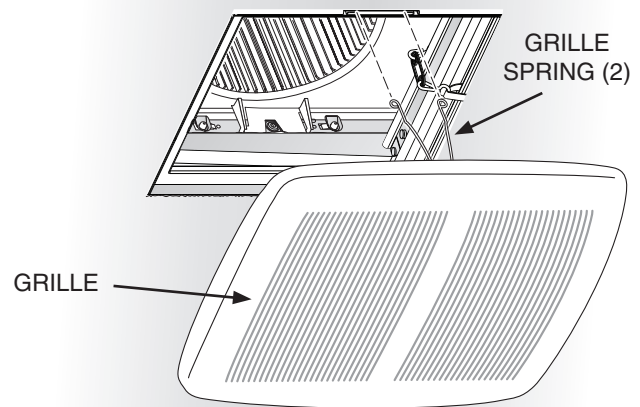
Finish Fan Installation

- Follow instructions packed with the fan to connect ductwork and electrical wiring.
- Install corrugated **MASK** to protect damper and fan from drywall spray, construction dust, etc.
- Finish ceiling around damper housing. Ceiling opening must be no larger than the outside of the radiation damper.

Install Grille

REMOVE THE MASK BEFORE INSTALLING GRILLE OR OPERATING FAN.

- Squeeze **GRILLE SPRINGS** and slide into tabs on the radiation damper frame. Push **GRILLE** until it's tight against ceiling surface.
- Follow instructions packed with the fan to finish the installation.



Service Feature For Fans

If your ventilation fan needs service, the inner damper can be removed from the outer frame without disturbing the surrounding ceiling material.

Remove the grille.

Remove (4) screws, then lower the inner damper to access ventilation fan. Replace the inner damper before operating fan.