

READ AND SAVE THESE INSTRUCTIONS

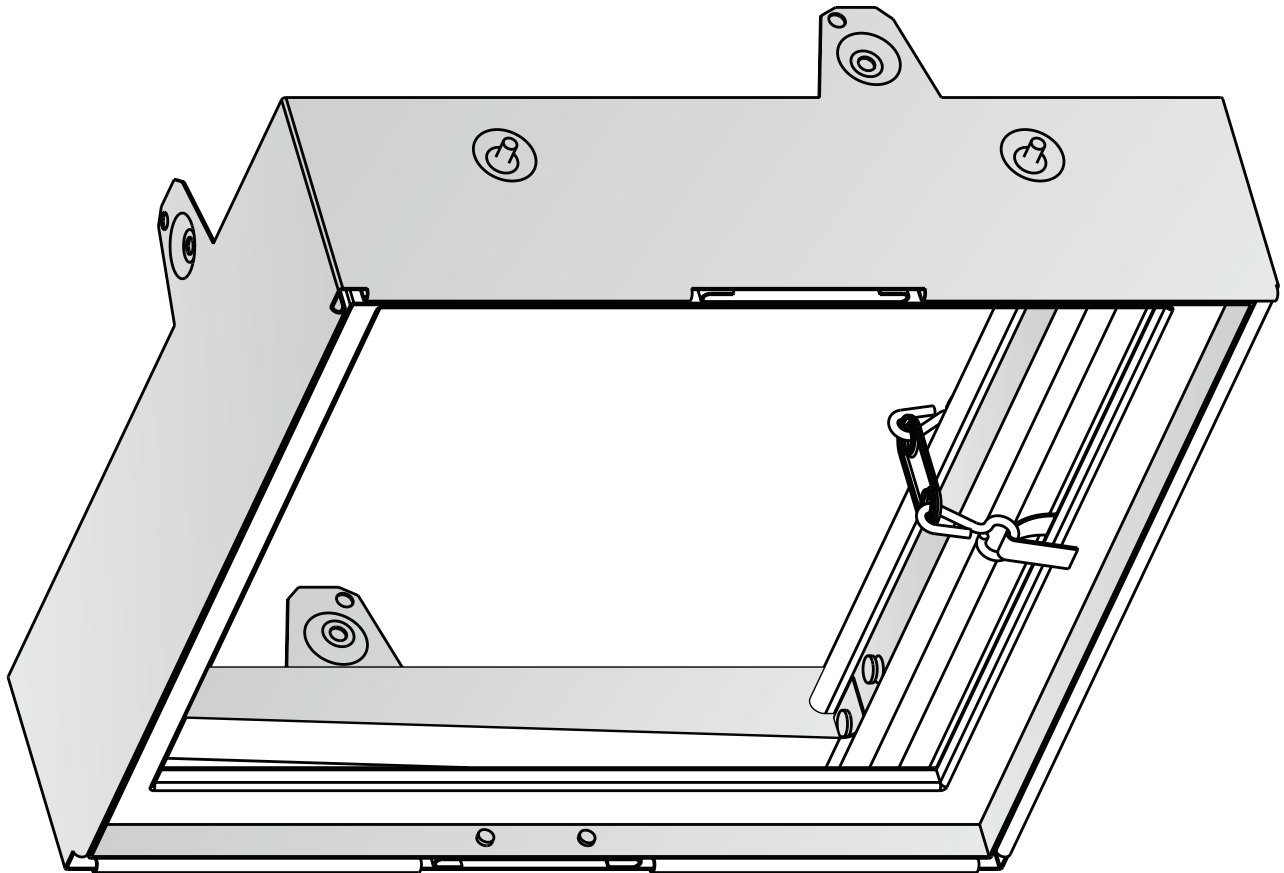
Installer: leave this guide with homeowner.

RDF2

Premium

Radiation Damper

INSTALLATION GUIDE



Easy installation

Table of Contents

Usage	2
Tools Required	2
Preparation	2
Concrete Slab or T-Bar Construction - UL / cUL Installation	3
Wood Construction - Installation	3
Service Feature For Fans	4
Service Parts	4
Warranty	4

Usage

For use with 1, 2, or 3-Hour-Rated Floor-Ceiling and Roof-Ceiling Designs.

Flat Ceiling / Horizontal Mount Only.

For use with the following ventilation fan models:

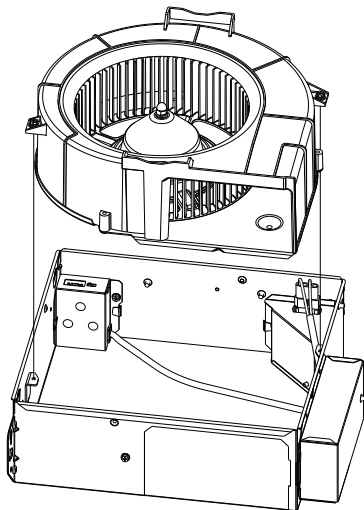
Broan LP50100DC

Preparation

The following steps are best performed on a work surface before fan installation. Protect counter tops by placing corrugated sheet under the fan.

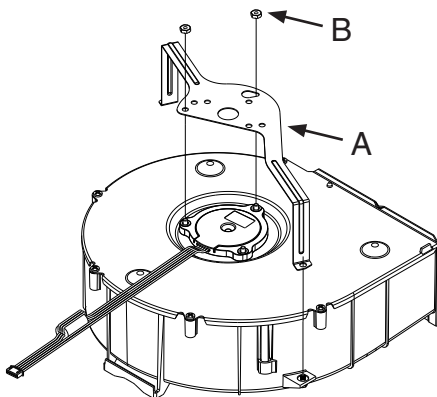
1 Remove Blower

Remove blower and all packing material from fan housing.



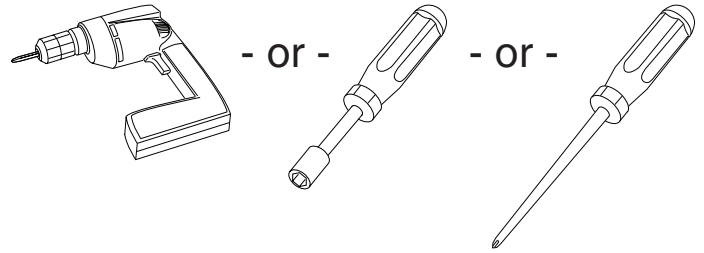
2 Attach Support Bracket

Assemble **SUPPORT BRACKET (A)** (supplied with radiation damper) to fan blower as shown. Secure the bracket to motor studs with **(2) #8-32 HEX NUTS (B)** supplied in radiation damper parts bag.



Re-install blower into fan housing.

Tools Required

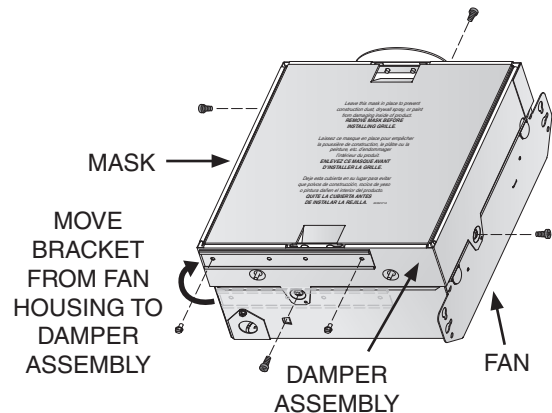


3 Attach Damper Assembly to Fan

Mark locations on the fan housing for the mounting screws. Drill (4) 1/8" diameter holes in the fan housing at the marked locations.

Use mounting screws provided - 1 through each side of housing.

A mask has been pre-installed to keep construction dust, drywall spray, paint, etc. from damaging the damper and fan. Leave mask in place during installation.



4 Plan Installation

In a suspended ceiling, locate ceiling penetration within ceiling panels, without cutting any ceiling suspension main runners or cross tees.

If required, a maximum of one runner or cross tee may be cut to accommodate desired location. Cut ends must be supported by a minimum 12 steel wire gauge (3mm) vertical hanger wire.

Concrete Slab or T-Bar Construction - UL / cUL Installation

5A Install Fan/Damper Assembly

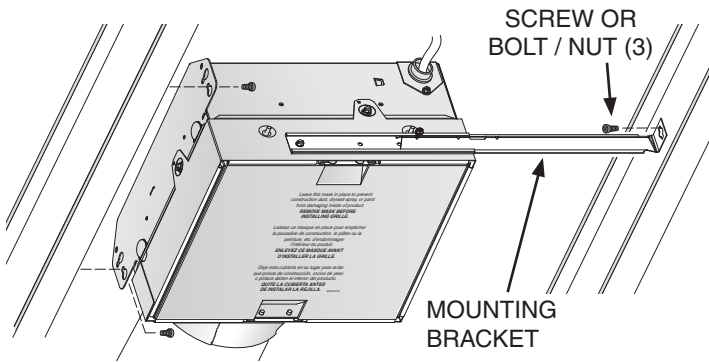
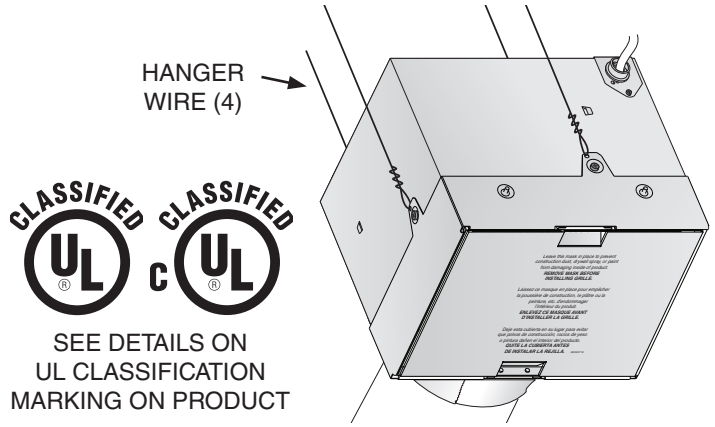
Mount fan/damper assembly to the deck or ceiling structure above or adjacent to the assembly.

If the assembly is hung from the structure above, a minimum 12 steel wire gauge (3mm) hanger wire must be used. The unit must be hung with four wires, one on each side.

If the assembly is directly mounted to the adjacent structure, use #8 (M4) sheet metal screws or 1/4" (6 mm) diameter bolts with nuts to fasten it to the structure.

Position fan/damper assembly so finished ceiling is flush with bottom edge of damper.

The ceiling opening must be no larger than the outside of the damper.



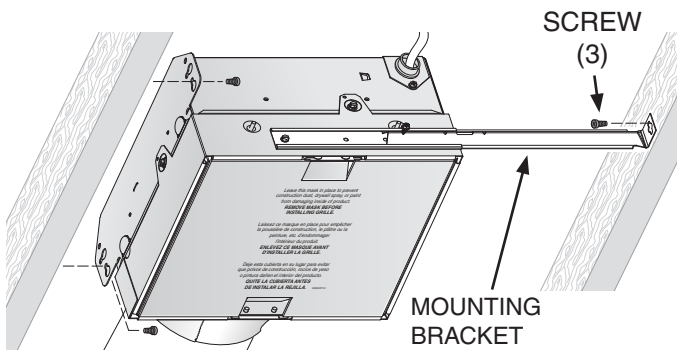
Wood Construction - Installation

5B Install Fan/Damper Assembly

Mount the fan/damper assembly directly to the adjacent structure.

Position fan/damper assembly so finished ceiling is flush with bottom edge of damper.

The ceiling opening must be no larger than the outside of the damper.



6 Finish Fan Installation

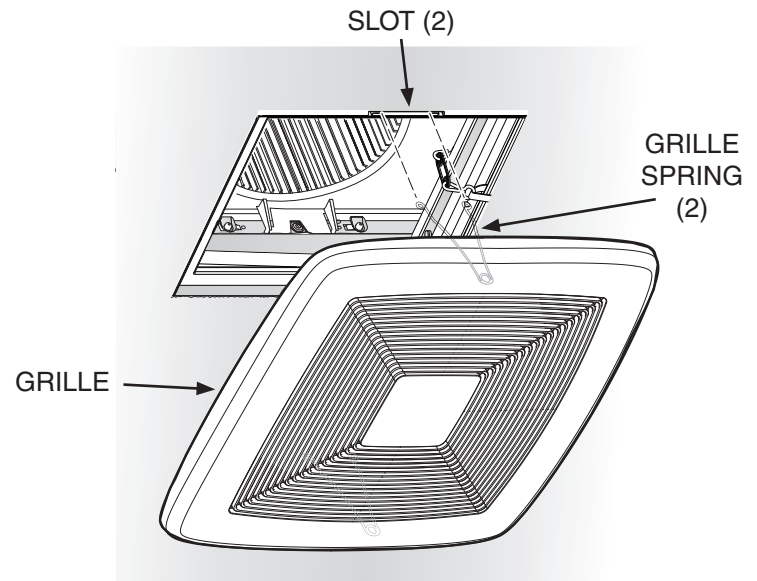
Follow instructions packed with fan to connect ductwork and electrical wiring to fan.

Finish ceiling around damper housing.

7 Install Grille

REMOVE THE MASK BEFORE INSTALLING GRILLE OR OPERATING FAN.

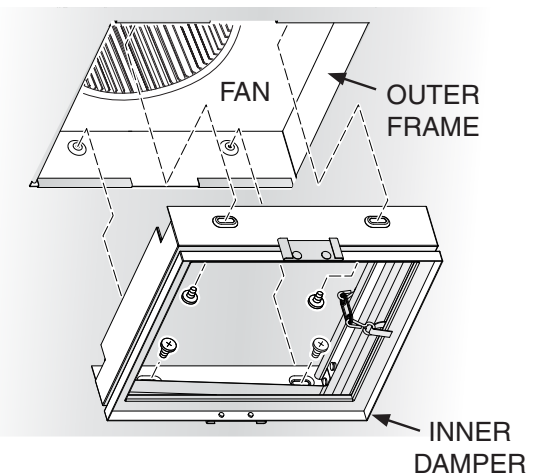
Attach the grille over the inlet face of the damper by inserting the grille springs into the slots in the sides of the damper, then push grille against ceiling.



Service Feature For Fans

If your ventilation fan needs service, the inner damper can be removed from the outer frame without disturbing the surrounding ceiling material.

Remove (4) screws, then lower the inner damper to access ventilation fan. Replace the inner damper before operating fan.



Service Parts

Outer Frame Mounting Screws (4)

97018839