

MODEL RD1, RD2 and RD3 RADIATION DAMPER INSTALLATION INSTRUCTIONS

- For Use In 1, 2 or 3 Hour Rated Floor-Ceiling and Roof-Ceiling Designs.
- Horizontal Mount Only.
- For Use With The Following Fan Models:

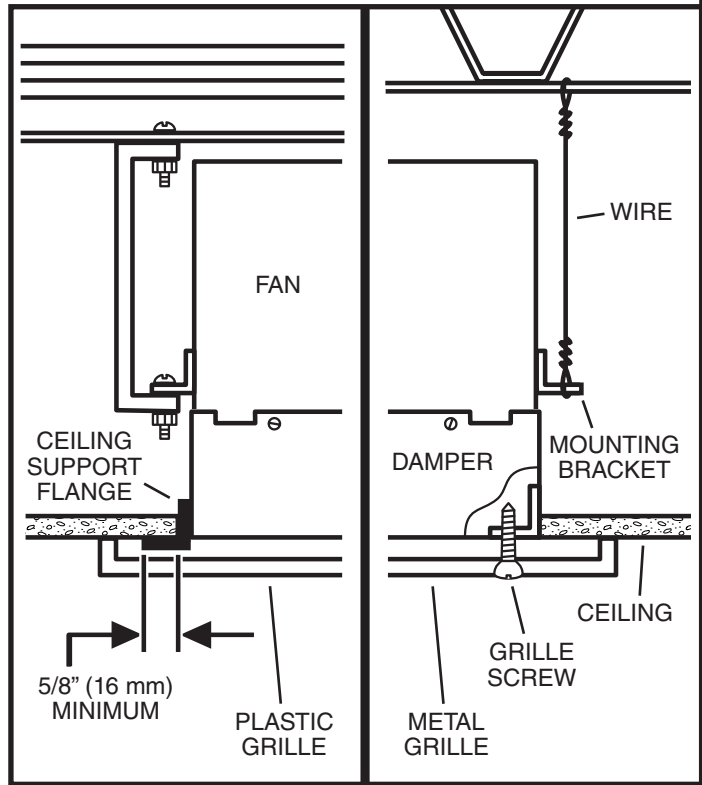
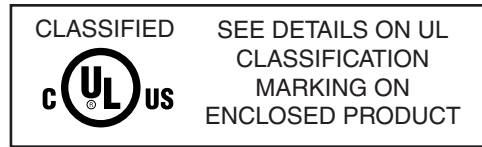
Damper Fan Models

RD1
Broan L100, L100C, L100EX, L100MG, L150, L150C, L150EX, L150MG, L200, L200C, L200EX, L200MG, L250, L250C, L250EX, L250MG, L300, L300C, L300EX, L300KMG, L300MG
ABC / Chelsea / Powerline NCF100, NCF150, NCF200, NCF250, NCF300
Acme 992900, 992901, 992902, 992903, 992904, 992949, 992950, 992951, 992952, 992953, VQ100, VQ150, VQ200, VQ250, VQ300
American Cool Air CFL10A1151, CFL15A1151, CFL20A1151, CFL25A1151, CFL30A1151
Breidert / Jenco FF100, FF100-230V, FF100-277V, FF150, FF150-230V, FF150-277V, FF200, FF200-230V, FF200-277V, FF250, FF250-230V, FF250-277V, FF300, FF300-230V, FF300-277V
Carnes VCDD010C, VCDD010CF, VCDD010CP, VCDD015C, VCDD015CF, VCDD015CP, VCDD020C, VCDD020CF, VCDD020CP, VCDD025C, VCDD025CF, VCDD025CP, VCDD030C, VCDD030CF, VCDD030CP
PennBarry ZQ105, ZQ155, ZQ205, ZQ255, ZQ305, ZQ105T, ZQ155T, ZQ205T, ZQ255T, ZQ305T
Twin City T100, T100C, T100EX, T150, T150C, T150EX, T200, T200C, T200EX, T250, T250C, T250EX, T300, T300C, T300EX
US Fan UVQ100, UVQ150, UVQ200, UVQ250, UVQ300

RD2
Broan L400, L400C, L400EX, L400K, L500, L500C, L500EX, L500K, L700, L700C, L700EX
ABC / Chelsea / Powerline 992905, 992906, 992907, 992954, 992955, 992956, NCF400, NCF500, NCF700
Acme VQ400, VQ500, VQ700
American Cool Air CFL40A1151, CFL50A1151, CFL70A1151
Breidert / Jenco FF400, FF400-230V, FF400-277V, FF500, FF500-230V, FF500-277V, FF700, FF700-230V, FF700-277V
Carnes VCDD040C, VCDD040CF, VCDD040CP, VCDD050C, VCDD050CF, VCDD050CP, VCDD070C, VCDD070CF, VCDD070CP
PennBarry ZQ405, ZQ505, ZQ705
Twin City T400, T400C, T400EX, T500, T500C, T500EX, T700, T700C, T700EX
US Fan UVQ400, UVQ500, UVQ700

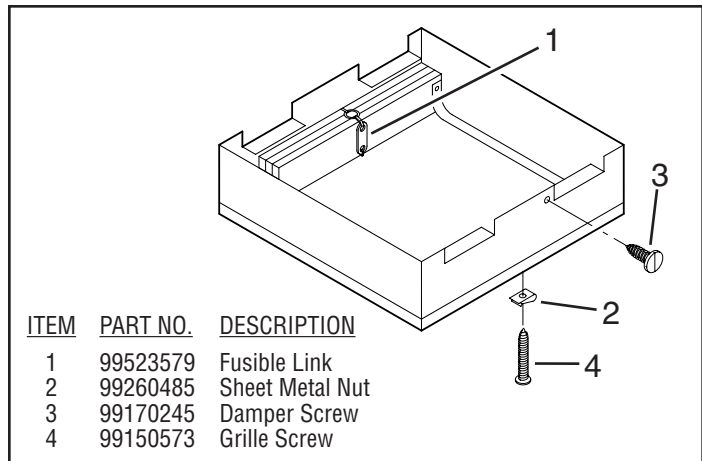
RD3
Broan L900, L900C, L900EX, L1500, L1500C, L1500EX
ABC / Chelsea / Powerline NCF900, NCF1500
Acme 992908, 992909, 992957, 992958, VQ900, VQ1500
American Cool Air CFL90A1151, CFL150A1151
Breidert / Jenco FF900, FF900-230V, FF900-277V, FF1500, FF1500-230V, FF1500-277V
Carnes VCDD090C, VCDD090CF, VCDD090CP, VCDD150C, VCDD150CF, VCDD150CP
PennBarry ZQ905, ZQ1505
Twin City T900, T900C, T900EX, T1500, T1500C, T1500EX
US Fan UVQ900, UVQ1500

1. Plan installation so that ceiling penetration is located within ceiling tiles or panels without necessitating cuts in any ceiling suspension main runners or cross tees. If required, a maximum of one runner or cross tee may be cut to accommodate desired damper location. Cut ends must be supported by a minimum 12 steel wire gauge (3mm) vertical hanger wire.
2. Position radiation damper on the inlet side of the fan so that the arrow in the damper will point **UP** in the finished installation. Attach the damper to the fan using #8 (M4) sheet metal screws (provided). There must be a minimum of two connections on each of two opposite sides. Care must be taken to ensure that the fasteners do not interfere with the closing of the damper curtain. For best results, use mounting holes provided. **Use of a plastic grille requires that a minimum 5/8" (16mm) wide ceiling support flange of steel (not provided) be attached to the radiation damper around the inlet face**, using #8 (M4) sheet metal screws or 1/4" (6mm) diameter bolts with nuts. There must be a minimum of two connections on each of the four sides. Care must be taken to ensure that the fasteners do not interfere with the closing of the damper curtain.
3. Mount fan/damper assembly to the deck or ceiling structure above or adjacent to the assembly. If the assembly is hung from the structure above, a minimum 12 steel wire gauge (3mm) hanger wire must be used. There must be a minimum of two wires on each of two opposite sides. If the assembly is directly mounted to the adjacent structure, use #8 (M4) sheet metal screws or 1/4" (6mm) diameter bolts with nuts to



If fan has a plastic grille - a 5/8" (16mm) minimum wide ceiling support flange of steel must be used.

If fan has a metal grille - no flange is required.



mechanically fasten it to the structure. Position fan/damper assembly so that the inlet face of the radiation damper is flush with the finished surface of the ceiling. **Ceiling opening must be no larger than the inlet opening of the damper.**

4. Attach the grille supplied with the fan over the inlet face of the radiation damper using #8 (M4) sheet metal screws (provided). There must be a minimum of one screw on each of two opposite sides. For best results, use mounting holes provided.

99042780G