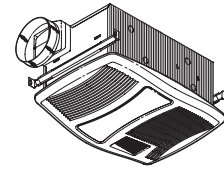


## QTXN SERIES HEATER / FAN / FLUORESCENT LIGHT / NIGHT LIGHT



# READ AND SAVE THESE INSTRUCTIONS

## IMPORTANT INSTRUCTIONS

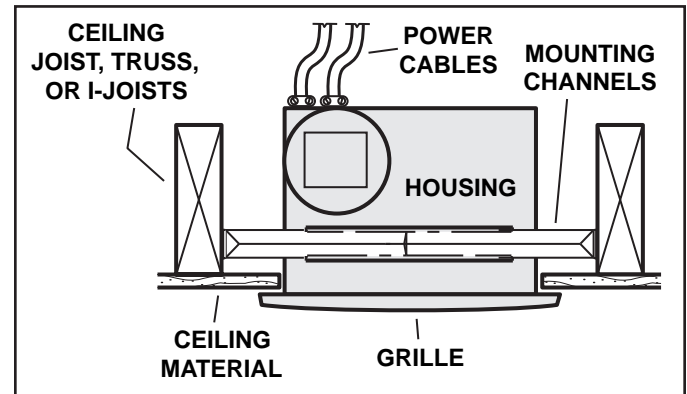
### READ ALL INSTRUCTIONS BEFORE INSTALLING OR USING THIS HEATER.

To reduce the risk of fire, electric shock, or injury to persons, observe the following:

1. Use this unit only in the manner intended by the manufacturer. If you have questions, contact the manufacturer at the address or telephone number listed in the warranty.
2. Before servicing or cleaning unit, switch power off at service panel and lock the service disconnecting means to prevent power from being switched on accidentally. When the service disconnecting means cannot be locked, securely fasten a prominent warning device, such as a tag, to the service panel.
3. Installation work and electrical wiring must be done by a qualified person(s) in accordance with all applicable codes and standards, including fire-rated construction codes and standards.
4. When cutting or drilling into wall or ceiling, do not damage electrical wiring and other hidden utilities.
5. This heater is hot when in use. To avoid burns, do not let bare skin touch hot surfaces. Keep combustible materials, such as furniture, pillows, bedding, papers, clothes, etc. and curtains at least 3 feet (0.9 m) from the front of the heater.
6. Extreme caution is necessary when any heater is used by or near children or invalids and whenever the heater is left operating and unattended.
7. Do not operate any heater after it malfunctions. Disconnect power at service panel and have heater inspected by a reputable electrician before reusing.
8. Do not use outdoors.
9. To disconnect heater, turn controls to off, and turn off power to heater circuit at main disconnect panel (or operate internal disconnect switch, if provided).
10. Do not insert or allow foreign objects to enter any ventilation or exhaust opening, as this may cause an electric shock or fire, or damage the heater.
11. To prevent a possible fire, do not block air intakes or exhaust in any manner.
12. A heater has hot and arcing or sparking parts inside. Do not use it in areas where gasoline, paint, or flammable vapors or liquids are used or stored.
13. Use this heater only as described in this manual. Any other use not recommended by the manufacturer may cause fire, electric shock, or injury to persons.
14. This product must be grounded.
15. Do not install heater in a tub or shower enclosure.
16. This product is designed for installation in ceilings up to a 12/12 pitch. Duct connector must point up. **DO NOT MOUNT THIS PRODUCT IN A WALL.**
17. Install heater in ceiling only - at least 6 inches from any wall.
18. Do not connect heater to dimmer switch or speed control.
19. Provide a separate 20 AMP circuit. Use 12 GA. power cable of type which meets code. Use supply wiring rated for at least 90°C.
20. For greatest efficiency, install heater so heat is directed toward tub or shower area. Avoid directing toward walls or windows.

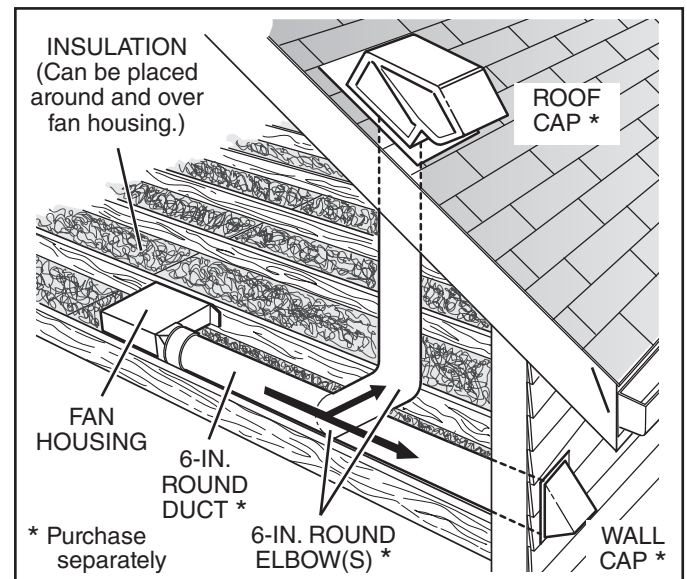
## SAVE THESE INSTRUCTIONS

## TYPICAL INSTALLATION



*Housing mounted directly to joists, trusses, or I-joists.  
Up to 24-inches on-center.*

## PLAN THE INSTALLATION



The unit will operate most quietly and efficiently when located where the shortest possible duct run and minimum number of elbows will be needed.

Use a roof cap or wall cap that has a built-in damper to reduce backdrafts.

Plan to supply the unit with proper line voltage and appropriate power cable.

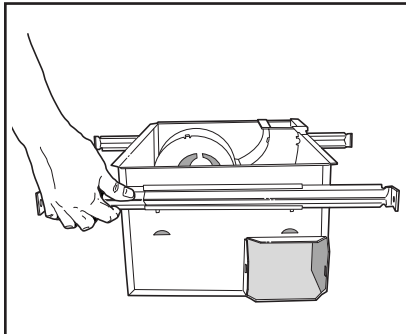
## INSTALLATION

**WARNING:** To reduce the risk of fire, do not store or use gasoline or other flammable vapors and liquids in the vicinity of the heater.

**CAUTION:** High temperature, risk of fire, keep electrical cords, drapery, furnishings, and other combustibles at least 3 feet (0.9 m) from the front of the heater and away from the side and rear.

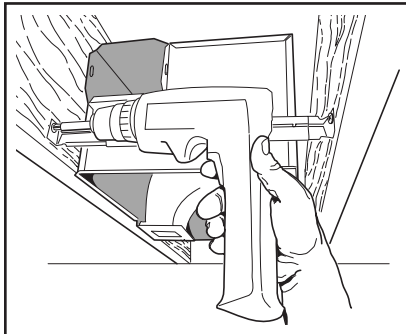
### 1. Insert mounting brackets.

Slide the (4) mounting brackets into the channels on each end of the housing.



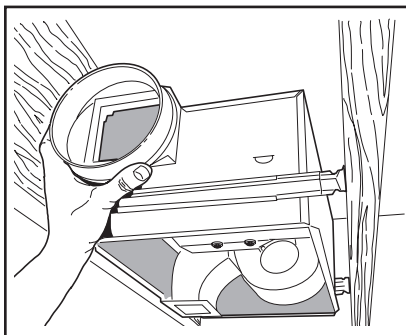
### 2. Mount housing.

Secure housing to ceiling structure with (4) mounting screws. Make sure bottom of housing will be flush with finished ceiling material.



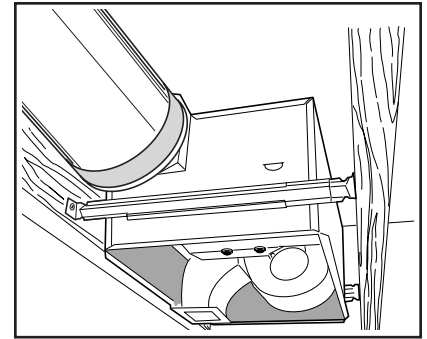
### 3. Attach damper / duct connector to housing.

Snap damper / duct connector onto housing. Make sure connector is flush with top of housing and damper flap falls closed.



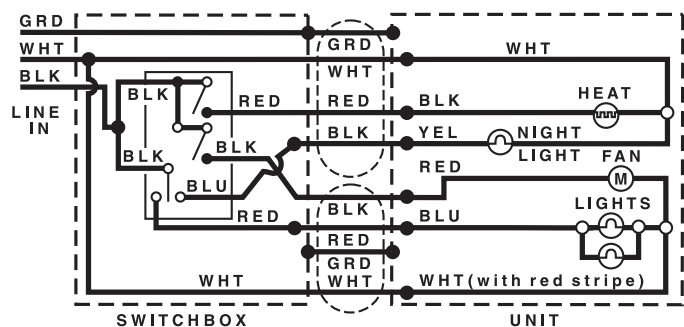
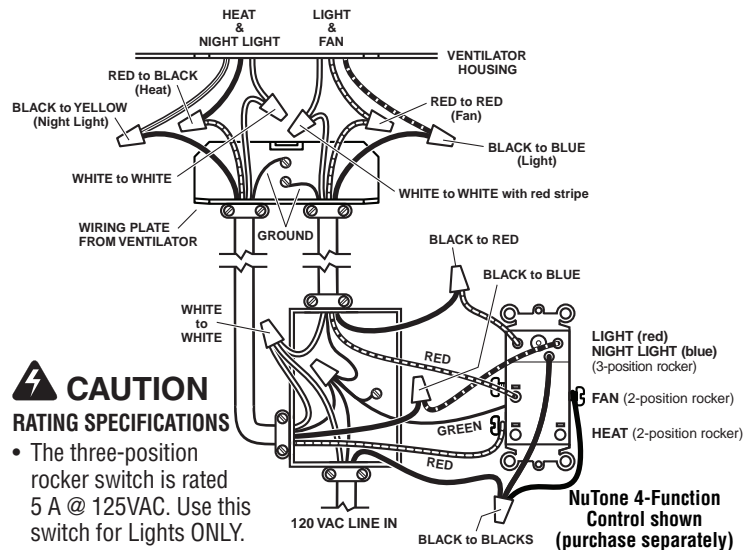
### 4. Install 6-inch round ductwork.

Connect 6-inch round ductwork to damper / duct connector. Run ductwork to a roof cap or wall cap. Tape all ductwork connections to make them secure and air tight.



## CONNECT WIRING

Installation work and electrical wiring must be done by a qualified person(s) in accordance with all applicable codes and standards, including fire-rated construction codes and standards.



### 5. Connect electrical wiring.

Run 120 VAC house wiring to installation location. Use proper UL approved connectors to secure house wiring to wiring plate. Connect wires as shown in wiring diagram(s).

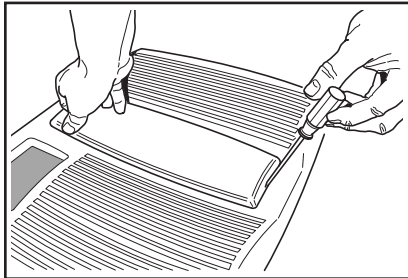
## INSTALL GRILLE & BULBS

### 6. Finish ceiling.

Install ceiling material. Cut out ceiling material closely around housing.

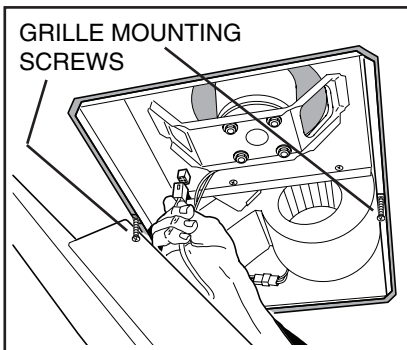
### 7. Remove light lens from grille.

Insert a small flat-bladed screwdriver into the slot at one end of the light lens. Carefully pry the lens out.



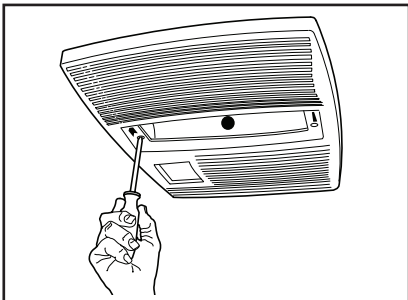
### 8. Plug-in light.

Hold grille assembly up near housing. Connect light plug from grille assembly to receptacle inside of housing.



### 9. Attach grille.

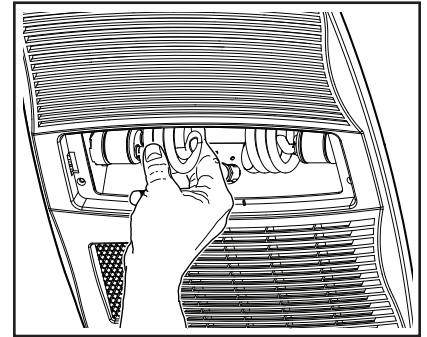
Remove the (2) grille mounting screws from the sides of the housing. (See Step 8 illustration.) Use these screws to attach the grille to the housing as shown.



To avoid damage to the grille: **DO NOT OVERTIGHTEN SCREWS.** Tighten screws only until grille is snug against ceiling material.

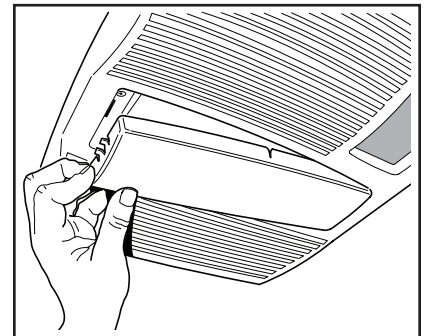
### 10. Install bulbs.

The unit accepts (2) 18-Watt 3500K (maximum) GU24 based fluorescent bulbs and (1) 7-Watt night light bulb.



### 11. Attach light lens.

Hook the tabs on one end of the lens into the slot in the grille. Lift other end of lens up and snap into place.



## **OPERATION**

---

Before using heater, make sure heater has been properly installed according to installation steps beginning with the "TYPICAL INSTALLATION" section on page 1.

Use a 4-Function Control to operate the heater, fan, light, and night light separately. See "Connect Wiring" for details.

## **MAINTENANCE**

---

The following maintenance and cleaning tasks can be performed by the user. All other servicing must be performed by an authorized technician

### **TO REPLACE BULB**

Replace light bulbs with (2) 18-Watt 3500K (maximum), GU24 based fluorescent lamps and (1) 7-Watt night light bulb.

### **LUBRICATION**

The heater is permanently lubricated and never needs oiling or disassembly.

### **CLEANING**

Clean heater once a month as follows:

1. Turn off power at service panel.
2. Make sure heating element is cool.
3. Use a soft brush attachment to gently vacuum grille openings or wipe grille clean with a soft cloth.
4. Restore power.

**CAUTION: METAL AND ELECTRICAL PARTS SHOULD NEVER BE IMMERSSED IN WATER.**

## SERVICE PARTS

Key No.	Part No.	Description
1	97016470	Housing
2	98007763	Slide Channel (2 req.)
3	98003036	Support Angle (4 req.)
4	97016450	Duct Connector
5	99170245	Screw #8-18 X .375 (8 req.)
6	93260454	Nut, Sheet Metal #8-18 (Partition) (2 req.)
7	99260512	Nut, Sheet Metal #8-18 (Grille) (3 req.)
8	98010091	Cover/KO Panel
9	99150471	Screw, Ground (2 req.)
10	97018049	Wire Panel/Harness Assembly
11	98010090	Wire Compartment
12	98010089	Mounting Bracket-Heater
13	99150415	Screw #8-18 X .250 (4 req.)
14	99260488	Nut, Hex #10-24 (5 req.)
15	97016564	Heater Scroll
16	99020283	Wheel-Heater
17	99260423	Nut, Hex #8-32 (4 req.)
18	98010088	Motor Mount
19	99080558	Motor-Heater
20	97020888	Heating Element (includes Key No. 7)
	97020889	Heater Scroll Assembly (includes Key Nos. 12 thru 20)
21	99020284	Wheel-Fan
22	99080556	Motor-Fan
23	99100491	Isolator (4 req.)
24	97016471	Partition
25	99250959	Washer (4 req.)
26	99260558	Nut, Hex Lock #8-32 (4 req.)
	97016567	Blower Assembly (includes Key Nos. 21 thru 26)
27	93150459	Screw #8-18 X .500 (2 req.)
28	97018036	Grille Assembly (includes Key No. 29)
29	99111461	Lens
30	99150622	Screw, Grille #8-18 X 2.000 (2 req.)
31	99271381	Lamp, Fluorescent, 18W, 3500K, GU24 (2 req.)

