

# QT DC Series Fan

## READ AND SAVE THESE INSTRUCTIONS

### **WARNING**

**TO REDUCE THE RISK OF FIRE, ELECTRIC SHOCK, OR INJURY TO PERSONS, OBSERVE THE FOLLOWING:**

1. Use this unit only in the manner intended by the manufacturer. If you have questions, contact the manufacturer at the address or telephone number listed in the warranty.
2. Before servicing or cleaning unit, switch power off at service panel and lock the service disconnecting means to prevent power from being switched on accidentally. When the service disconnecting means cannot be locked, securely fasten a prominent warning device, such as a tag, to the service panel.
3. Installation work and electrical wiring must be done by a qualified person(s) in accordance with all applicable codes and standards, including fire-rated construction codes and standards.
4. Sufficient air is needed for proper combustion and exhausting of gases through the flue (chimney) of fuel burning equipment to prevent backdrafting. Follow the heating equipment manufacturer's guideline and safety standards such as those published by the National Fire Protection Association (NFPA), and the American Society for Heating, Refrigeration and Air Conditioning Engineers (ASHRAE), and the local code authorities.
5. When cutting or drilling into wall or ceiling, do not damage electrical wiring and other hidden utilities.
6. Ducted fans must always be vented to the outdoors.
7. Use only ON/OFF switch, mechanical timer or relay-switched control.
8. Acceptable for use over a tub or shower when connected to a GFCI (Ground Fault Circuit Interrupter) - protected branch circuit.
9. This unit must be grounded.

### **CAUTION**

1. For general ventilating use only. Do not use to exhaust hazardous or explosive materials and vapors.
2. This product can be installed in a wall if mounted 8-ft. or more above the floor.
3. To avoid motor bearing damage and noisy and/or unbalanced impellers, keep drywall spray, construction dust, etc. off power unit.
4. Please read specification label on product for further information and requirements.

## CLEANING & MAINTENANCE

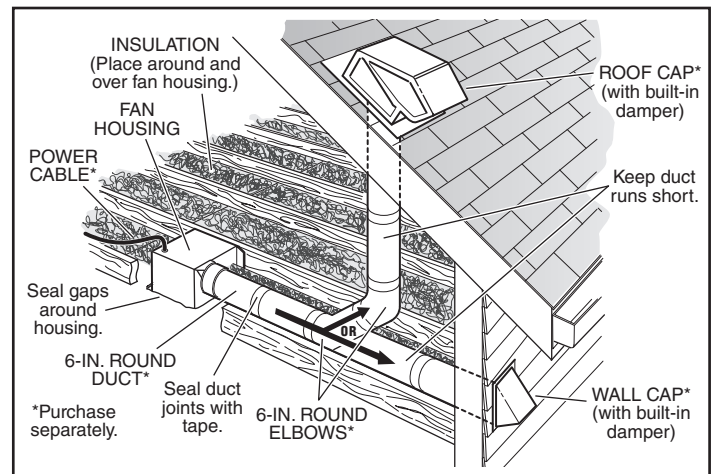
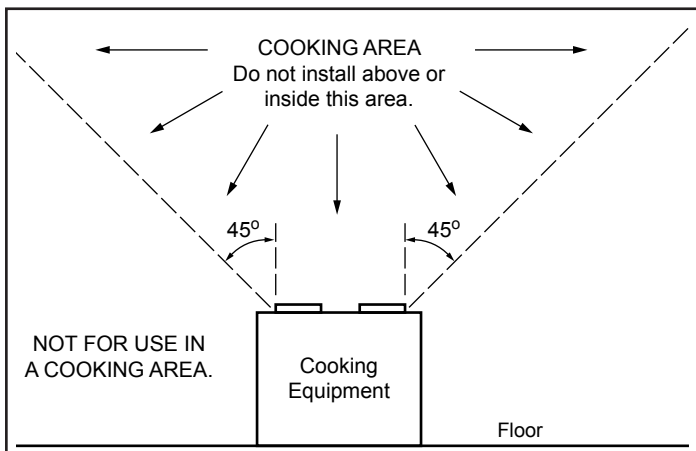
For quiet and efficient operation, long life, and attractive appearance - lower or remove grille and vacuum interior of unit with the dusting brush attachment.


The motor is permanently lubricated and never needs oiling. If the motor bearings are making excessive or unusual noises, replace the blower assembly (includes motor and impeller).

## OPERATION

Use an on/off switch to operate the fan.

**Do not use a speed control.**

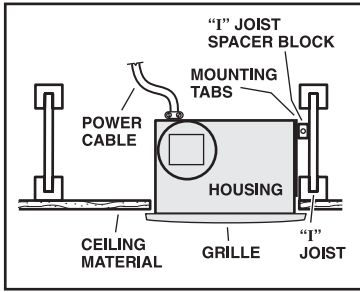


 **IMPORTANT** - The ducting from this fan to the outside of the building has a strong effect on the air flow, noise and energy use of the fan. Use the shortest, straightest duct routing possible for best performance, and avoid installing the fan with smaller ducts than recommended. Insulation around the ducts can reduce energy loss and inhibit mold growth. Fans installed with existing ducts may not achieve their rated airflow.

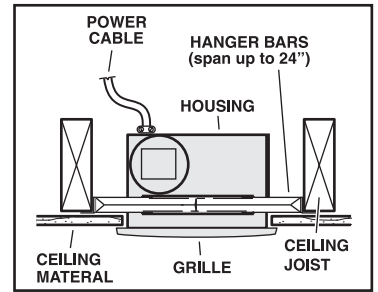
# TYPICAL INSTALLATIONS

## Housing mounted to I-joists.

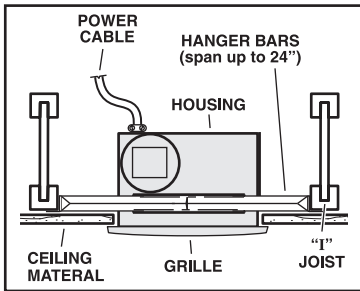
Use I-joist spacer block (provided).



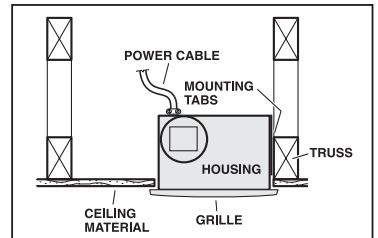
## Housing mounted anywhere between joists using hanger bars.



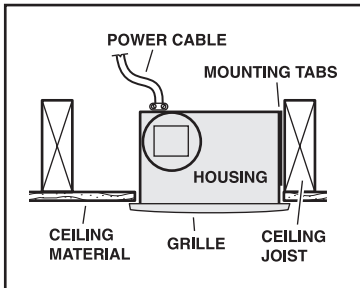
## Housing mounted anywhere between I-joists using hanger bars.



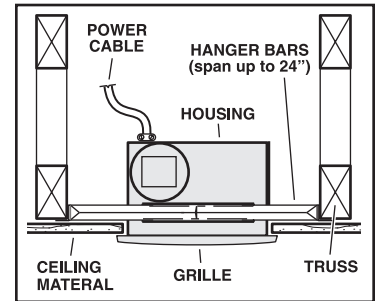
## Housing mounted to truss.



## Housing mounted to joists.

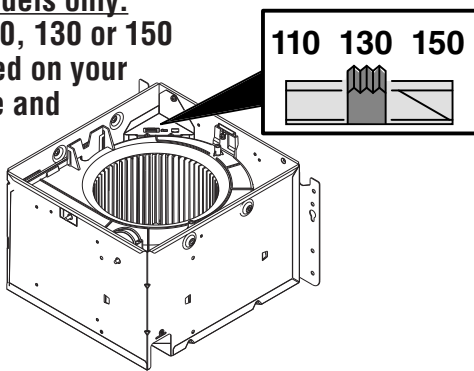


## Housing mounted anywhere between trusses using hanger bars.

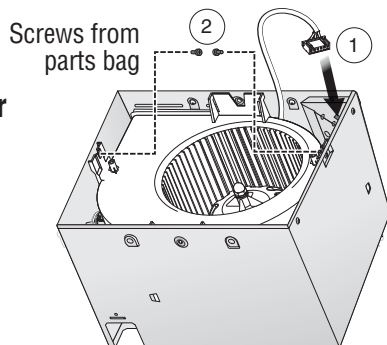


# INSTALLATION STEPS

**1** Some models only: Select 110, 130 or 150 CFM based on your room size and desired air flow.

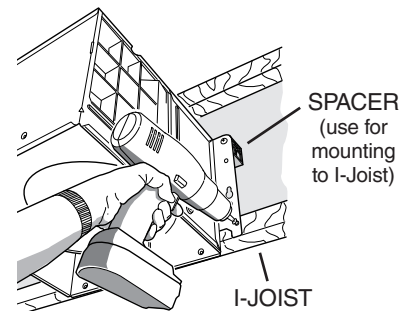


**2** Plug-in and secure blower to housing.



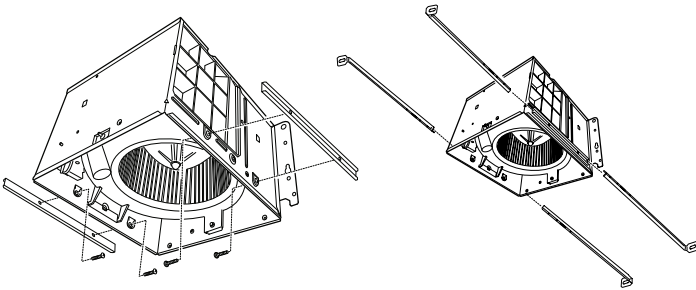
**3a** Mount housing to joist.

Hold housing in place so that bottom edge of housing will be flush with finished surface of ceiling. For 1/2" thick ceiling material, position bottom of each mounting flange flush with the bottom of joist. The housing mounts with four (4) screws or nails. Screw or nail housing to joist through lowest holes in each mounting flange, then through highest holes. NOTE: Mounting to I-JOIST (shown) requires use of SPACERS (included) between the highest hole of each mounting flange and the I-joist.



OR

**3b** Mount housing anywhere between trusses, joists, or I-joists using hanger bars.

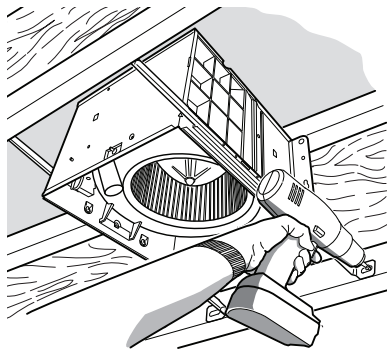


Sliding hanger bars are provided to allow for accurate positioning of housing anywhere between framing. They can be used on all types of framing (I-joist, standard joist, and truss construction) and span up to 24".

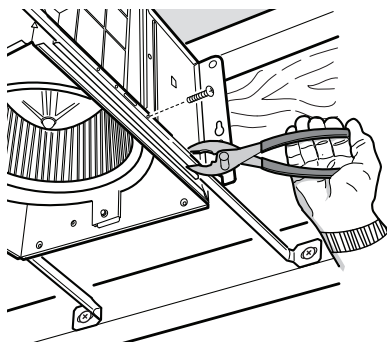
Attach the MOUNTING CHANNELS to the housing using the SCREWS supplied.

Extend HANGER BARS to the width of the framing.

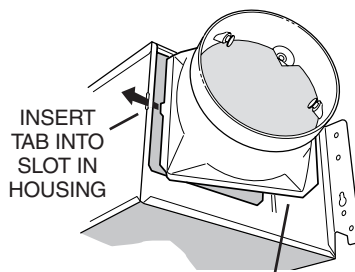
Hold housing in place so that bottom edge of housing will be flush with finished surface of ceiling. For 1/2" thick ceiling material, position bottom of each mounting flange flush with bottom of joist.



To ensure a noise-free mount: Secure hanging bars together with SCREWS and use a pliers to crimp mounting channels tightly around hanger bars.

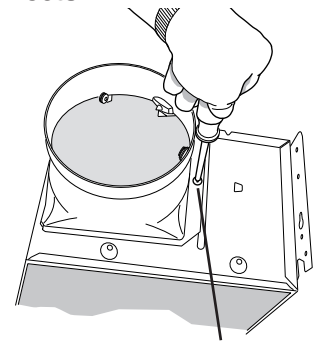


**4** Attach damper/duct connector.



INSERT TAB INTO SLOT IN HOUSING

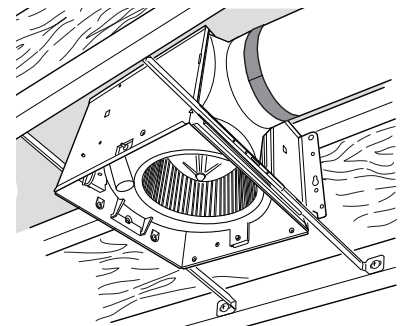
TOP AND BOTTOM FLANGES REMAIN OUTSIDE OF HOUSING



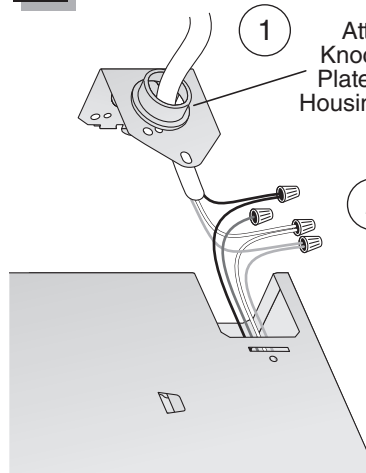
SCREW FROM PARTS BAG

**5** Install 6-inch round ductwork.

Connect 6-inch round ductwork to damper / duct connector. Run ductwork to a roof cap or wall cap. Tape all ductwork connections to make them secure and air tight.



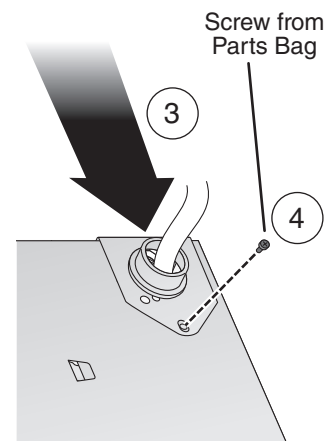
**6** Connect wiring.



1 Attach cable clamp to Knockout Plate. Knockout Plate mounts to outside of Housing and may be oriented as desired.

2 Connect wires

Connect power cable to wiring plate (from parts bag) using UL approved connector. Connect house wiring to fan wiring. Refer to wiring diagrams for connection details. Use screw (from parts bag) to secure wiring plate to fan housing. Re-install wiring panel and secure with screw from parts bag.



Screw from Parts Bag

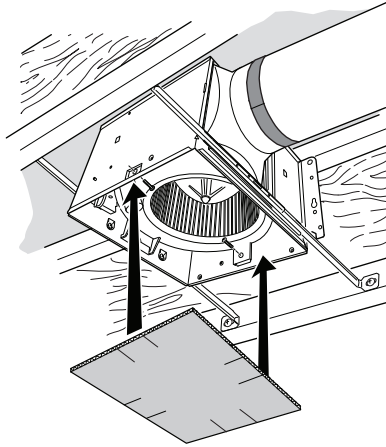
3

4

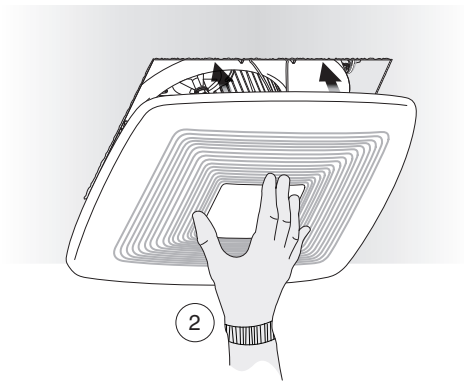
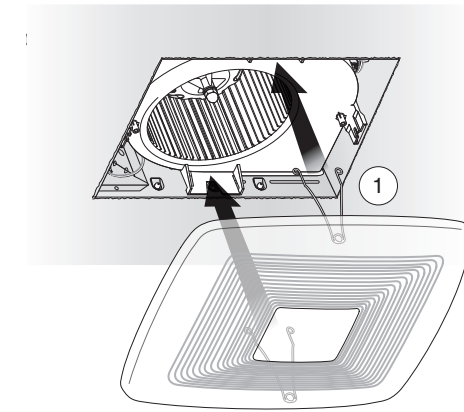
## 7 Install housing mask.

Tape mask into housing. Mask protects unit during construction. Remove before attaching grille.

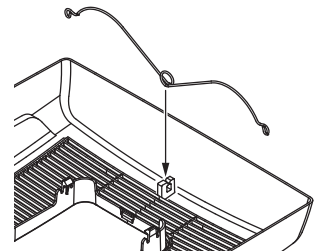
Install ceiling material. Cut out around housing.



## 8 Attach grille.



If grille spring becomes dislodged from grille - snap it back into place as shown.



## WIRING DIAGRAMS

