

MODEL QT9093WH DELUXE HEAT-A-VENTLITE®

READ AND SAVE THESE INSTRUCTIONS

IMPORTANT INSTRUCTIONS

READ ALL INSTRUCTIONS BEFORE INSTALLING OR USING THIS HEATER.

To reduce the risk of fire, electric shock, or injury to persons, observe the following:

1. Use this unit only in the manner intended by the manufacturer. If you have questions, contact the manufacturer at the address or telephone number listed in the warranty.
2. Before servicing or cleaning unit, switch power off at service panel and lock the service disconnecting means to prevent power from being switched on accidentally. When the service disconnecting means cannot be locked, securely fasten a prominent warning device, such as a tag, to the service panel.
3. Installation work and electrical wiring must be done by a qualified person(s) in accordance with all applicable codes and standards, including fire-rated construction codes and standards.
4. When cutting or drilling into wall or ceiling, do not damage electrical wiring and other hidden utilities.
5. This heater is hot when in use. To avoid burns, do not let bare skin touch hot surfaces. Keep combustible materials, such as furniture, pillows, bedding, papers, clothes, etc. and curtains at least 3 feet (0.9 m) from the front of the heater.
6. Extreme caution is necessary when any heater is used by or near children or invalids and whenever the heater is left operating and unattended.
7. Do not operate any heater after it malfunctions. Disconnect power at service panel and have heater inspected by a reputable electrician before reusing.
8. Do not use outdoors.
9. To disconnect heater, turn controls to off, and turn off power to heater circuit at main disconnect panel (or operate internal disconnect switch, if provided).
10. Do not insert or allow foreign objects to enter any ventilation or exhaust opening, as this may cause an electric shock or fire, or damage the heater.
11. To prevent a possible fire, do not block air intakes or exhaust in any manner.
12. A heater has hot and arcing or sparking parts inside. Do not use it in areas where gasoline, paint, or flammable vapors or liquids are used or stored.
13. Use this heater only as described in this manual. Any other use not recommended by the manufacturer may cause fire, electric shock, or injury to persons.
14. Install heater at least 6 inches from floor or any adjacent wall.
15. To avoid electrical shock: Do not install unit in a tub or shower enclosure or any location where it may come in contact with water. Never place a switch where it can be reached from a tub or shower.
16. This product is designed for installation in ceilings up to a 12/12 pitch. Duct connector must point up. **DO NOT MOUNT THIS PRODUCT IN A WALL.**
17. Do not connect heater to dimmer switch or speed control.
18. Ducted fans must always be vented to the outdoors.
19. This product must be grounded.

SAVE THESE INSTRUCTIONS

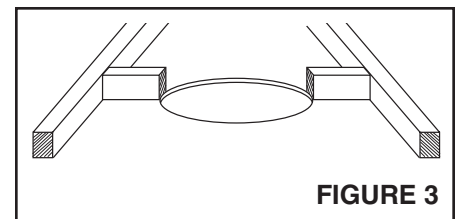
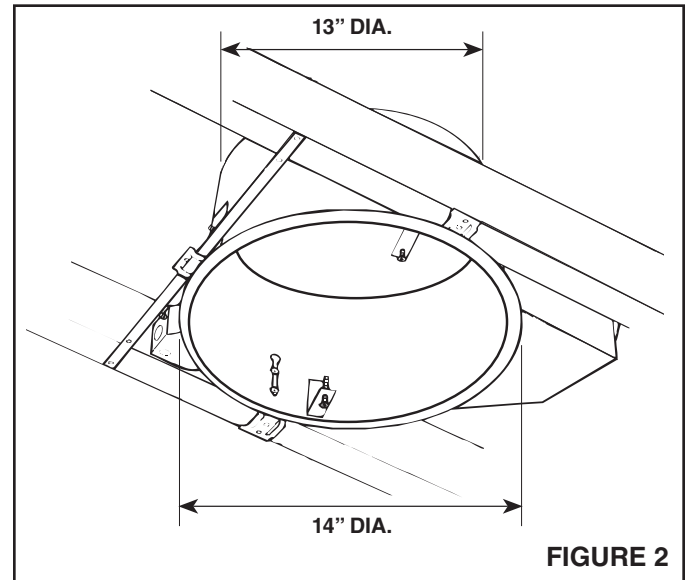
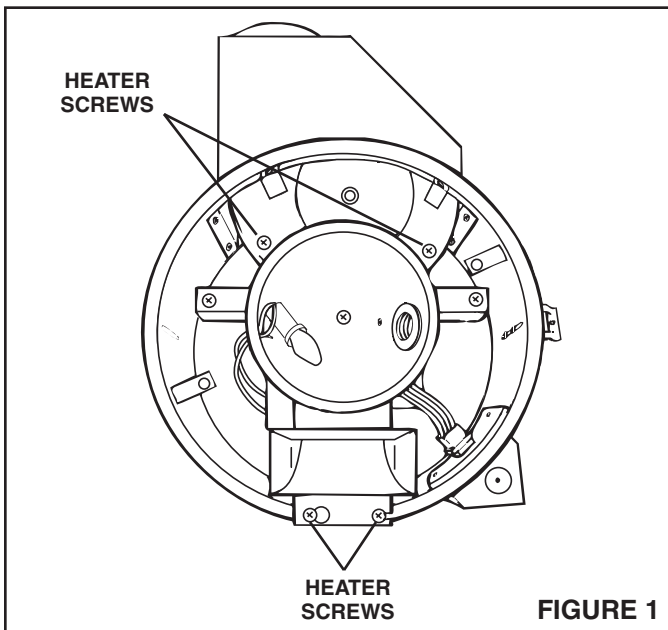
INSTALLATION

WARNING: To reduce the risk of fire, do not store or use gasoline or other flammable vapors and liquids in the vicinity of the heater.

CAUTION: High temperature, risk of fire, keep electrical cords, drapery, furnishings, and other combustibles at least 3 feet (0.9 m) from the front of the heater and away from the side and rear.

Refer to Figure 1.

1. Loosen two screws holding grille in place. Remove grille and set aside. Remove housing, switch assembly, hanger bar and mounting brackets from carton.
2. Loosen four (4) screws holding heater power unit in place. Remove heater power unit and set aside.



MOUNTING TO OPEN JOISTS IN NEW CONSTRUCTION

1. Install hanger brackets in keyhole slots in housing. Insert hanger bar through bracket opposite blower vent.

Refer to Figure 2.

2. Position housing between joists with exhaust vent in desired direction. Secure side hanger brackets and ends of adjustable hanger bar to joists with screws or nails. If joist spacing is greater than 16" O.C., construct framing to support sides of housing.

Refer to Figure 3.

3. Position housing against joists and secure with wood screws through keyhole slots in housing.
4. Loosen screws securing hanger brackets to housing and adjust height of housing so that bottom flange will be flush with finished ceiling. Tighten screws securely.
5. Attach 4" round duct and run ductwork to the outside through wall or roof.

WIRING

Installation work and electrical wiring must be done by a qualified person(s) in accordance with all applicable codes and standards, including fire-rated construction codes and standards.

115-120 volts (20 amp circuit only), 12 gauge wire.

1. Remove desired knockout from junction box and install a box connector (not provided).

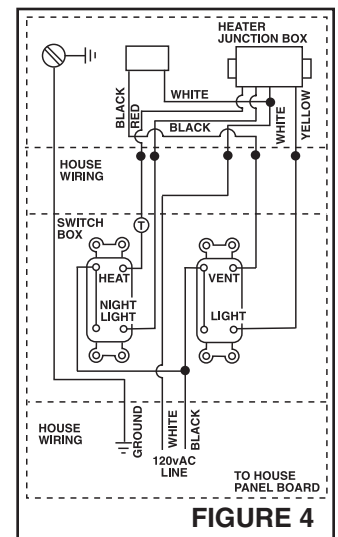
Refer to Figure 4.

2. Run 120vAC supply wiring to wall switch box. Run wiring from wall switch box to heater. Five conductors plus ground are required for independent operation of all functions.

3. When a thermostat or timer switch is used, connect at point marked "T" on Figure 4.

4. Make wiring connections using wire nuts. Connect ground wire under ground screw in junction box.

5. Push wiring back into junction box and install junction box cover being careful not to pinch wiring between cover and housing. Secure cover.



COMPLETING INSTALLATION

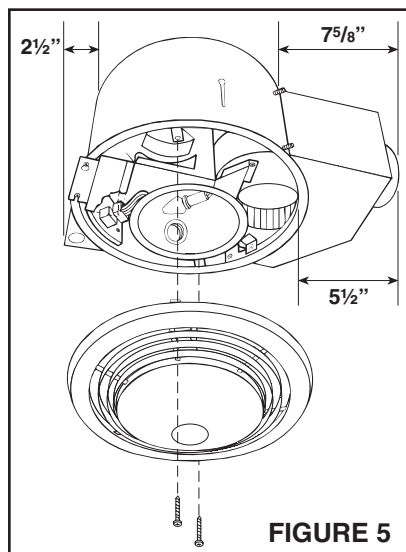
1. Reinstall the heater unit and tighten four (4) screws securely.
2. Plug fan and heater assemblies to receptacles on junction box cover.
3. Install a 100 watt lamp in light socket and 7 watt lamp in night light socket.
4. Place grille over grille mounting screws and tighten.
5. Check out all functions for proper operation.

INSTALLATION IN EXISTING CONSTRUCTION

Refer to Figure 5.

NOTE: In existing construction, hanger bar and mounting brackets are not used.

1. Determine desired location of heater. Area above heater must be free of plumbing and electrical wiring. There must be enough clearance above ceiling for heater housing and installation of duct and wiring.
2. Drill a small hole up through ceiling and insert a wire or nail to help in locating from above.
3. Locate hole from above. Center heater housing between joists and use the bottom flange of housing as a template to mark cutout. Cut out hole in ceiling.
4. Refer to Figure 3. Secure short pieces of 1" x 3" lumber ($\frac{3}{4}$ " nominal) to joists on either side of opening. Leave approximately $\frac{1}{2}$ " between top of ceiling so that flange of heater housing can slide under spacers. If joist spacing is greater than 16" O.C., cut spacers of 2" x 4" lumber to fit between housing and joists.
5. Place heater over opening and between spacers. From below, align housing so flange is flush with finished ceiling. Secure to spacers with nails or wood screws through keyhole slots. **NOTE: If necessary, housing can be installed from below by removing vent blower, vent housing, and outlet box.**
6. Install 4" duct and refer to previous section of these instructions for Wiring and Completing Installation.



OPERATION

Before using heater, make sure heater has been properly installed according to installation steps beginning with the "INSTALLATION" section on page 2.

MAINTENANCE

The following maintenance and cleaning tasks can be performed by the user. All other servicing must be performed by an authorized technician

TO REPLACE BULB

Use bulb rated up to 100 watts only and 7 watts only for night light.

LUBRICATION

The heater is permanently lubricated and never needs oiling or disassembly.

CLEANING

Clean heater once a month as follows:

1. Turn off power at service panel.
2. Make sure heating element is cool.
3. Use a soft brush attachment to gently vacuum grille openings or wipe grille clean with a soft cloth.
4. Restore power.

CAUTION: METAL AND ELECTRICAL PARTS SHOULD NEVER BE IMMERSSED IN WATER.