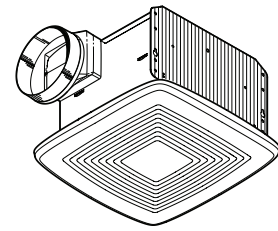


MODEL QT130E VENTILATION FAN



READ AND SAVE THESE INSTRUCTIONS

WARNING

TO REDUCE THE RISK OF FIRE, ELECTRIC SHOCK, OR INJURY TO PERSONS, OBSERVE THE FOLLOWING:

1. Use this unit only in the manner intended by the manufacturer. If you have questions, contact the manufacturer at the address or telephone number listed in the warranty.
2. Before servicing or cleaning unit, switch power off at service panel and lock the service disconnecting means to prevent power from being switched on accidentally. When the service disconnecting means cannot be locked, securely fasten a prominent warning device, such as a tag, to the service panel.
3. Installation work and electrical wiring must be done by a qualified person(s) in accordance with all applicable codes and standards, including fire-rated construction codes and standards.
4. Sufficient air is needed for proper combustion and exhausting of gases through the flue (chimney) of fuel burning equipment to prevent backdrafting. Follow the heating equipment manufacturer's guideline and safety standards such as those published by the National Fire Protection Association (NFPA), and the American Society for Heating, Refrigeration and Air Conditioning Engineers (ASHRAE), and the local code authorities.
5. When cutting or drilling into wall or ceiling, do not damage electrical wiring and other hidden utilities.
6. Ducted fans must always be vented to the outdoors.
7. Acceptable for use over a tub or shower when connected to a GFCI (Ground Fault Circuit Interrupter) - protected branch circuit (ceiling installation only).
8. This unit must be grounded.

CAUTION

1. For general ventilating use only. Do not use to exhaust hazardous or explosive materials and vapors.
2. This product is designed for installation in ceilings up to a 12/12 pitch (45 degree angle). Duct connector must point up. **DO NOT MOUNT THIS PRODUCT IN A WALL.**
3. To avoid motor bearing damage and noisy and/or unbalanced impellers, keep drywall spray, construction dust, etc. off power unit.
4. Please read specification label on product for further information and requirements.

Installer: Leave this manual with the homeowner.

CLEANING & MAINTENANCE

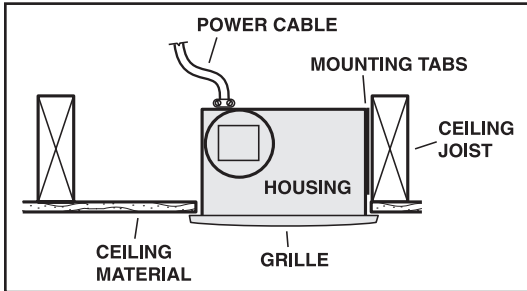
For quiet and efficient operation, long life, and attractive appearance - lower or remove grille and vacuum interior of unit with the dusting brush attachment.

The motor is permanently lubricated and never needs oiling. If the motor bearings are making excessive or unusual noises, replace the blower assembly (includes motor and impeller).

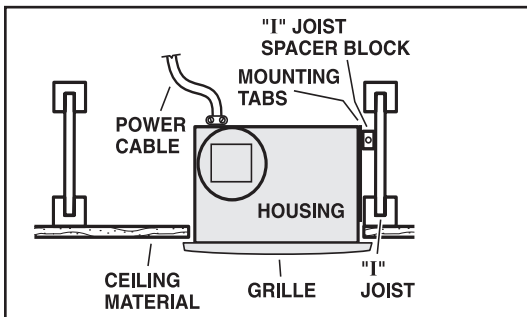
OPERATION

Use an on/off switch or speed control to operate this ventilator. See "Connect Wiring" for details.

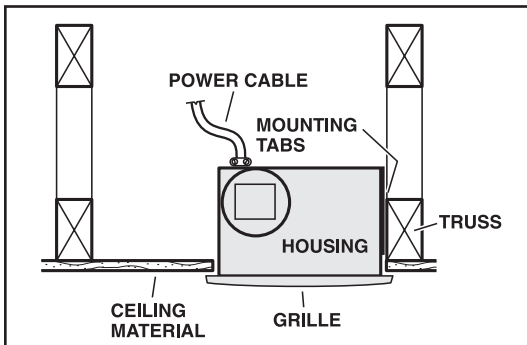
TYPICAL INSTALLATIONS



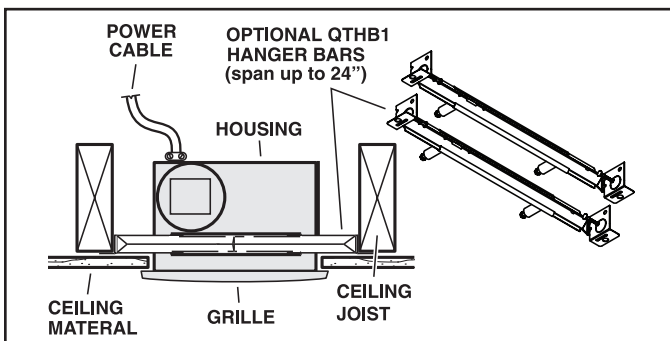
Housing mounted to joists.



Housing mounted to I-joists.
Use I-joist spacer block (provided).

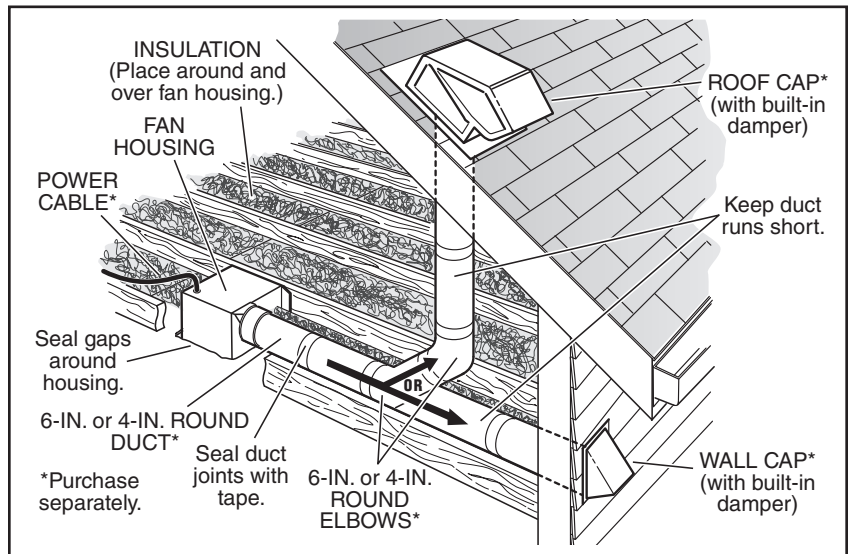
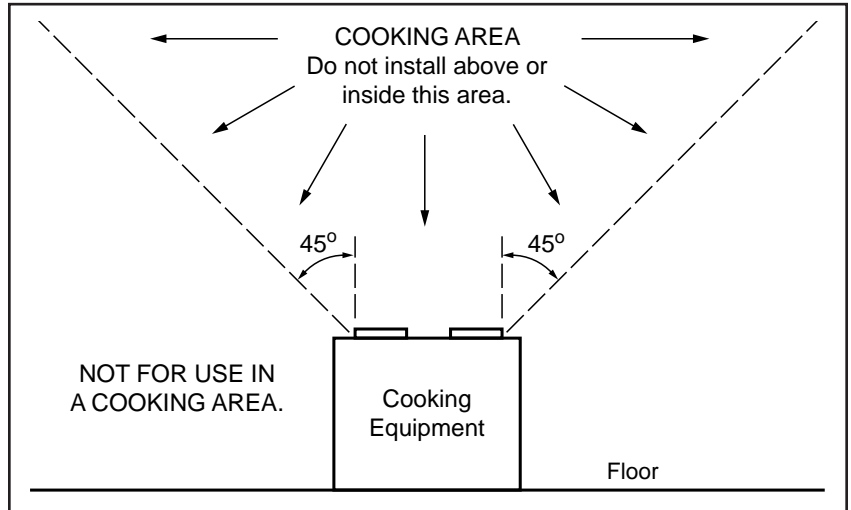


Housing mounted to truss.



To mount housing anywhere between joists, i-joists or trusses, use optional hanger bar kit QTHB1 (sold separately). Follow mounting instructions included with kit.

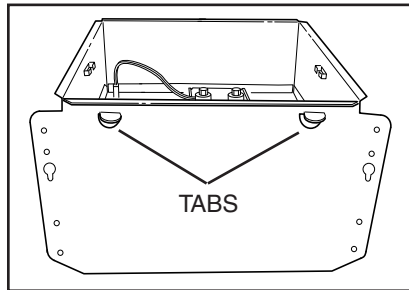
PLAN THE INSTALLATION



INSTALL HOUSING & DUCT

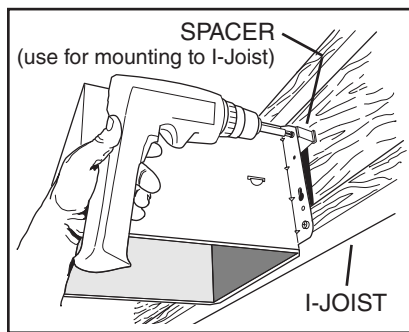
1. Bend housing tabs.

Use a pliers to bend housing **TABS** out to 90°.



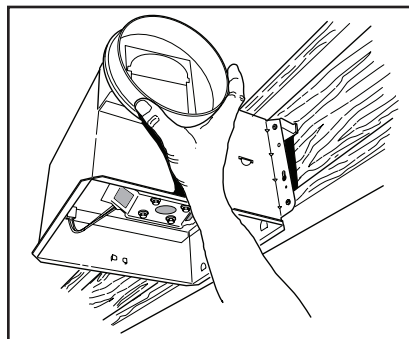
2. Mount housing to joist.

Hold housing in place so that the housing tabs contact the bottom of the joist. The housing mounts with four (4) screws or nails. Screw or nail housing to joist through lowest holes in each mounting flange, then through highest holes. **NOTE:** Mounting to **I-JOIST** (shown) requires use of **SPACERS** (included) between the highest hole of each mounting flange and the I-joist.



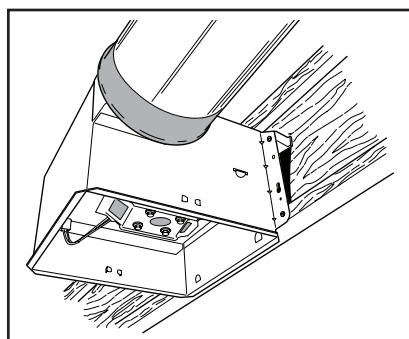
3. Attach damper/duct connector.

Snap damper / duct connector onto housing. Make sure connector is flush with top of housing and damper flap falls closed. If using 4-inch ductwork, install 6" to 4" duct reducer (included) over duct connector.

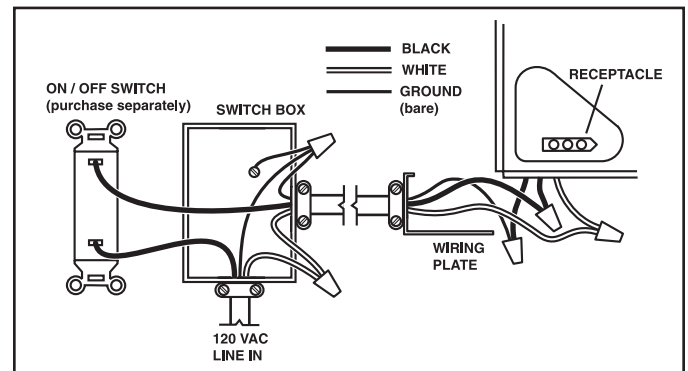
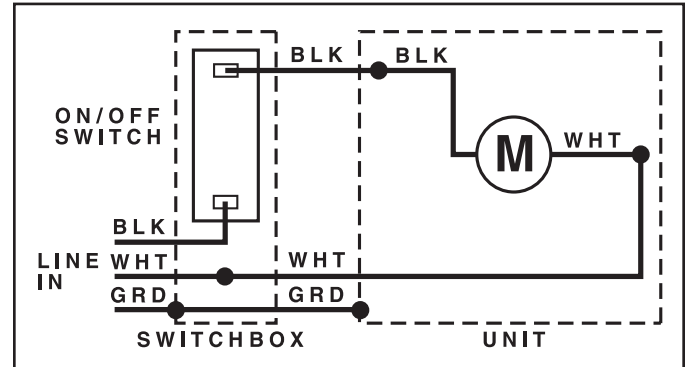


4. Install 6-inch or 4-inch round ductwork.

Connect 6-inch or 4-inch round ductwork to damper / duct connector. Run ductwork to a roof cap or wall cap. Tape all ductwork connections to make them secure and air tight.



CONNECT WIRING



5. Connect electrical wiring.

Run 120 VAC house wiring to installation location. Use proper UL approved connector to secure house wiring to wiring plate. Connect wires as shown in wiring diagrams.

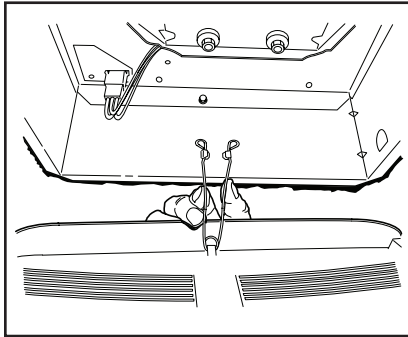
INSTALL GRILLE

6. Finish ceiling.

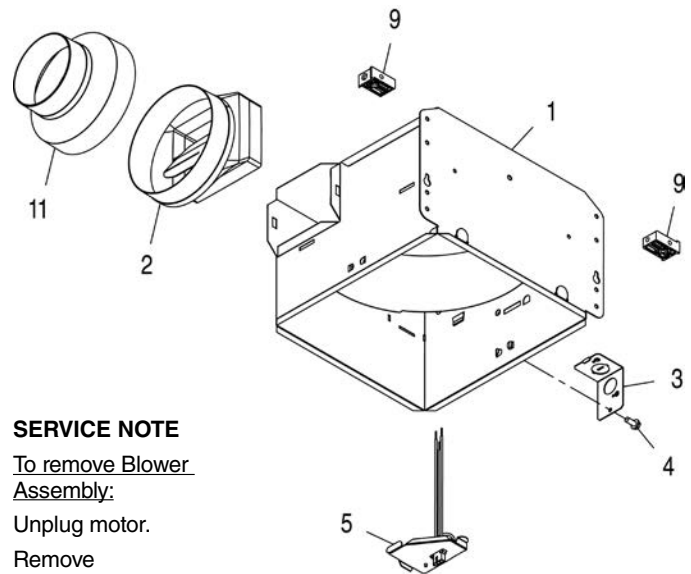
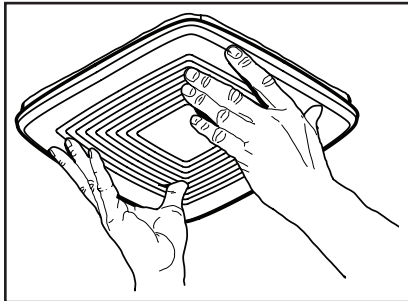
Install ceiling material. Cut out around housing.

7. Attach grille to housing.

Squeeze grille springs and insert them into tabs on each side of housing.



8. Push grille against ceiling.



SERVICE NOTE

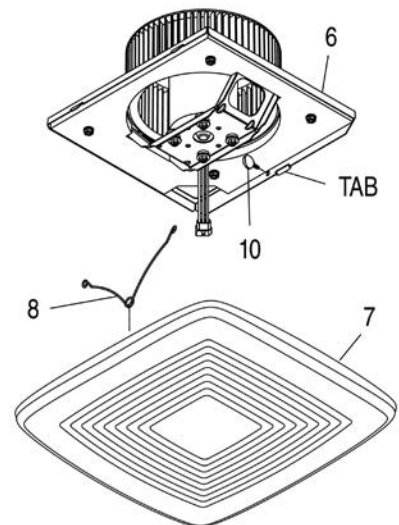
To remove Blower Assembly:

Unplug motor.

Remove thumbscrew (10) from motor plate flange.

Find the single **TAB** on the motor plate (located next to the receptacle).

Push up near motor plate tab while pushing out on side of housing. Or insert a straight-blade screwdriver into slot in housing (next to tab) and twist screwdriver.



SERVICE PARTS

Key No.	Part No.	Description
1	97016466	Housing
2	97018562	Duct Connector - 6"
3	98010102	Wiring Plate
4	99170245	Screw, #8-18 X .375
5	97018010	Wire Panel/Harness Assembly
6	97019540	Blower Assembly
7	97017621	Grille Assembly (includes key no. 8)
8	99140199	Grille Spring (2 req'd)
9	97018014	Spacer (2 supplied)
10	99420665	Thumbscrew, #8-18 x .375
11	475	Duct Reducer - 6" to 4"

Order service parts by "Part No." - not by "Key No."