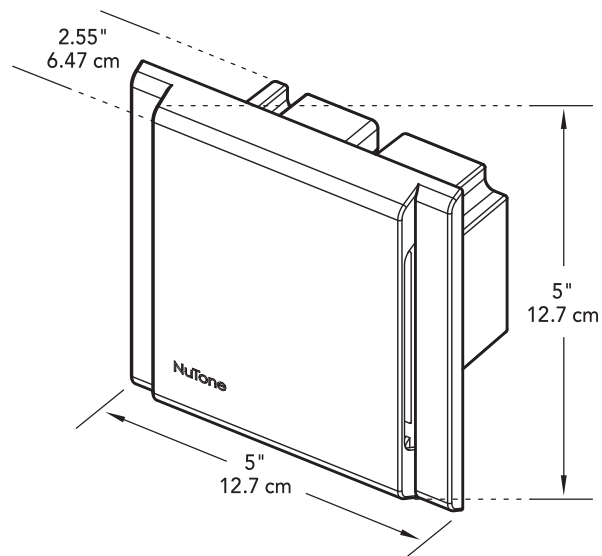


Easy-to-install builder kits featuring an electronic chime with built-in step down transformer. Each chime kit will include a pushbutton. Choose from 1 or 2 LED lighted white buttons, LED lighted satin nickel stucco button, LED lighted oil-rubbed bronze stucco button, or wireless kinetic button.

CHIME FEATURES	
Connection	Wired installation directly to line voltage (120VAC)
Housing	White plastic ABS with white plastic cover
UV Protection	Yes
Chime tones	Wired: 2 default (front and rear) tones Wireless: 8 tones to choose from
Certifications	cULus Listed Chime: Compliant to FCC, and Industry Canada Kinetic button: Compliant to FCC, and Industry Canada RoHS Compliant
POWER SPECIFICATIONS	
Input Power	120VAC, 60 Hz, 50mA
Output Power	12VDC, 5mA
INSTALLATION	
Mounting Requirements	Standard two-gang dual voltage junction box (Sold separately)
Mounting Style	Flush mounted
Complete installation instructions included with each unit.	
PUSHBUTTON FEATURES	
Pushbuttons	Wired or Kinetic Wireless
Finish Styles	Wired: Lighted White Standard, Lighted Satin Nickel Stucco, Lighted Oil-Rubbed Bronze Stucco Wireless: Unlighted White Kinetic
Illumination Style	LED (wired pushbuttons only)
LED Life	45,000 hours
Pushbutton Compatibility	Up to 2 wired pushbuttons per chime (add a wireless button for a third door). Or up to 3 wireless kinetic buttons per chime
Chime Compatibility	Up to 2 chimes with one pushbutton
Wire Size Recommendation	18-22 AWG
Wireless Range	250 ft
Wireless Power	Kinetic – No batteries or wires required
WIRELESS CHIME TONES	
Soft electronic 2 note Ding-Dong	
Harmony	
Tubular bell 2 note Ding-Dong	
Chime 2 note Ding-Dong (wired front default)	
Swing 4 note	
Alert 6 note	
3 note Ding-Dong-Dong	
1 note Ding (wired back default)	



AVAILABLE KITS	
BKL340LWH	Chime with LED Lighted White Rectangular Button
BKL342LWH	Chime with two LED lighted white Buttons
BKL340LBR	Chime with LED Lighted Oil-Rubbed Bronze Button
BKL340LSN	Chime with LED Lighted Satin Nickel Stucco Button
BKL340KWH	Chime with Kinetic Wireless White Button

Individual pushbuttons can be purchased using part numbers below.



PB340K
Wireless



PB7LWHL
Wired



PB41LSNL
Wired



PB41LBRL
Wired