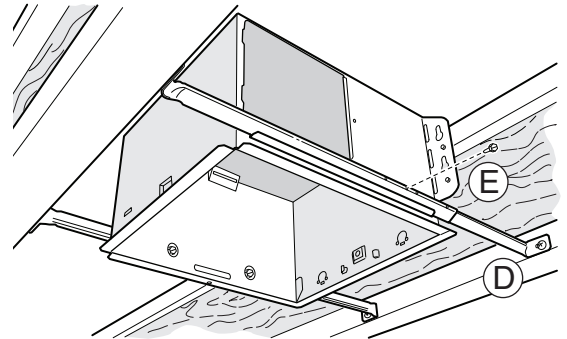
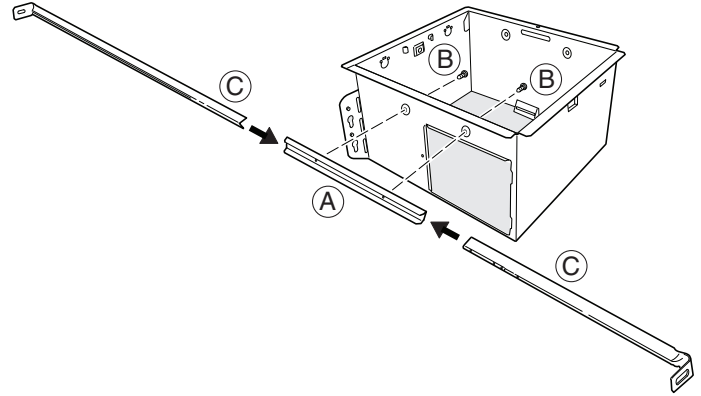


For use with *InVent™* series ventilation fans & fan lights.

Attach MOUNTING CHANNEL (A) to housing with 2 SCREWS (B) from parts bag. Attach second mounting channel on opposite side of housing in same manner. Slide 2 BRACKETS (C) into each channel.



99045310A

When it comes to quality home ventilations, Broan-NuTone is the brand you can depend on.