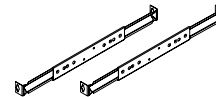


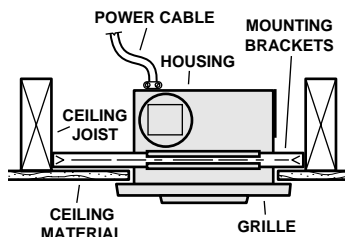
MOUNTING CHANNEL / BRACKET KIT

(For use with J-Series Fans & Fan/Lights)

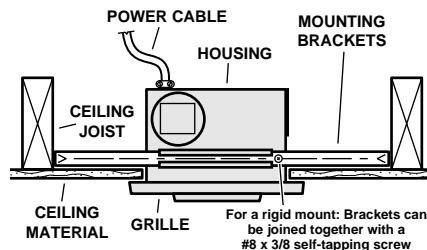


TYPICAL INSTALLATIONS USING THIS MOUNTING CHANNEL / BRACKET KIT

16"-ON-CENTER CEILING JOISTS

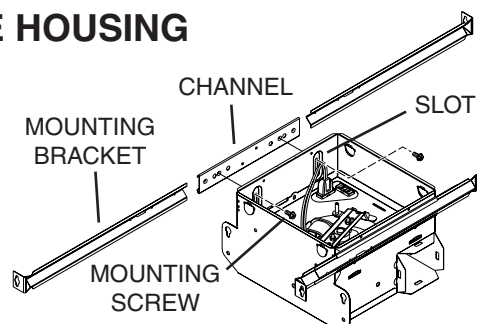


24"-ON-CENTER CEILING JOISTS



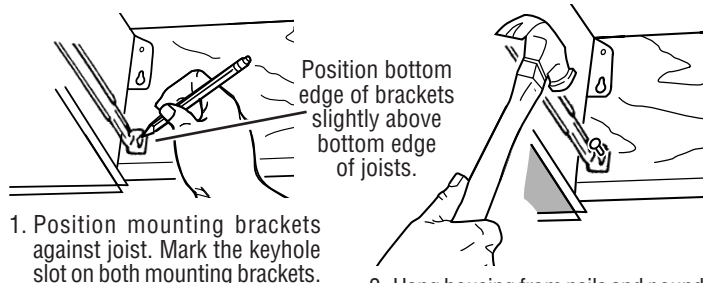
PREPARE THE HOUSING

1. Attach channels to housing using screws provided. Screws are inserted from the inside of the housing, through slots in housing and into holes in the channels. Pull channels toward inlet face of housing and tighten screws.
2. Slide two mounting brackets into each channel.
3. Choose the location for the housing in the ceiling. For best performance, use the shortest possible duct run and a minimum number of elbows.



INSTALL THE HOUSING

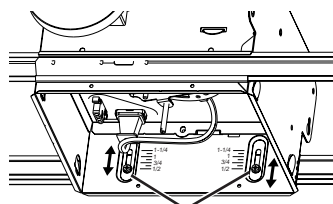
New Construction



Position bottom edge of brackets slightly above bottom edge of joists.

1. Position mounting brackets against joist. Mark the keyhole slot on both mounting brackets.

3. Hang housing from nails and pound nails tight. To ensure a noise-free mount, crimp the channels tightly around the mounting brackets.



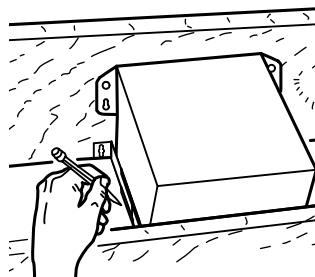
ADJUSTMENT SCREWS

2. Set housing aside and drive nails partially into joist at the top of both keyhole marks.

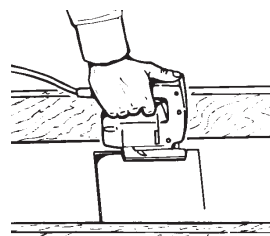
4. To adjust vertical housing position: Loosen adjustment screws on both sides of housing. Move housing up or down until adjustment screws line up with mark indicating your finished ceiling thickness. Tighten screws securely.

5. Connect ductwork, wiring, and finish installation following instructions supplied with the fan or fan/light.

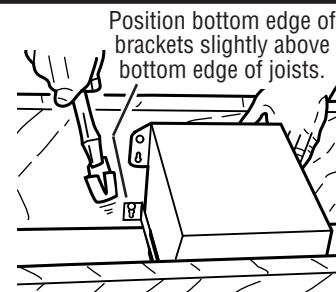
Existing Construction



1. In attic, position housing in desired location. Trace outline of housing on ceiling material.

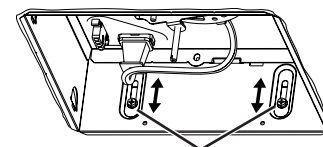


2. Set housing aside and cut ceiling opening slightly larger than marked.



Position bottom edge of brackets slightly above bottom edge of joists.

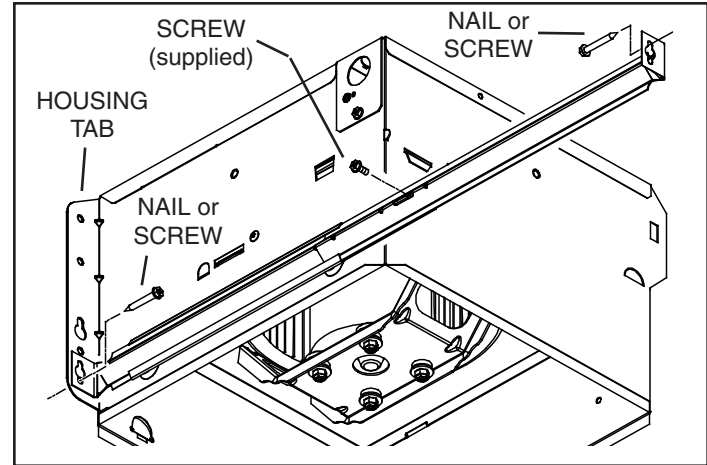
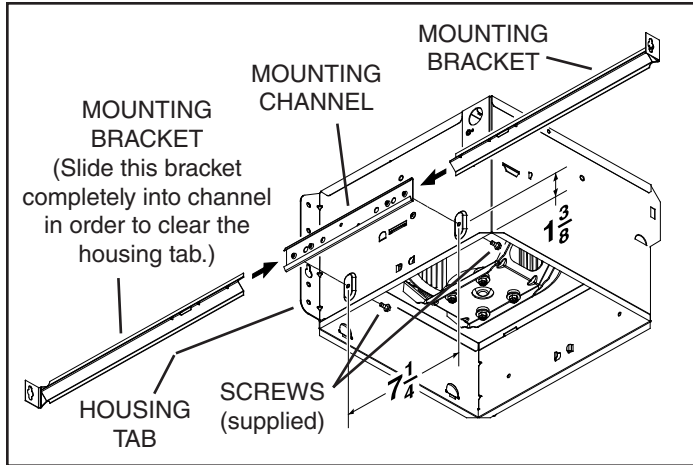
3. Place housing in opening. Position mounting brackets against joist and nail to joist through keyhole on both sides. To ensure a noise-free mount, crimp the channels tightly around the mounting brackets.



ADJUSTMENT SCREWS

4. To adjust vertical housing position: Loosen adjustment screws on both sides of housing. Move housing up or down until bottom edge of housing is flush with finished ceiling material. Tighten screws securely.
5. Connect ductwork, wiring, and finish installation following instructions supplied with the fan or fan/light.

Mounting Channel / Brackets Installation on QT Series Fans and Fan/Lights



1. Slide the MOUNTING BRACKETS into the MOUNTING CHANNEL.
2. Attach the MOUNTING CHANNEL to the housing using the screws supplied.

NOTE: If holes are not already in housing, drill (2) $\frac{3}{16}$ " diameter holes at locations shown.

3. NAIL or SCREW the brackets to the ceiling framing (joists, trusses, etc.).

NOTE: Slide one MOUNTING BRACKET against the HOUSING TAB and nail or screw through the bracket and tab and into the framing.

4. Use a screw (supplied) to secure the mounting brackets together.

99043738A