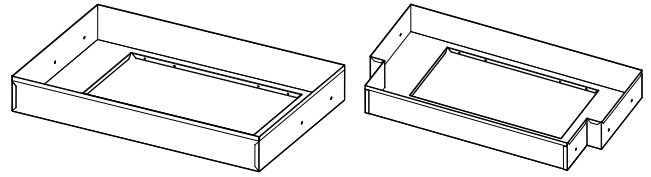


LB30, LB36, LB30SS, LB36SS, LT30 & LT36 LINERS



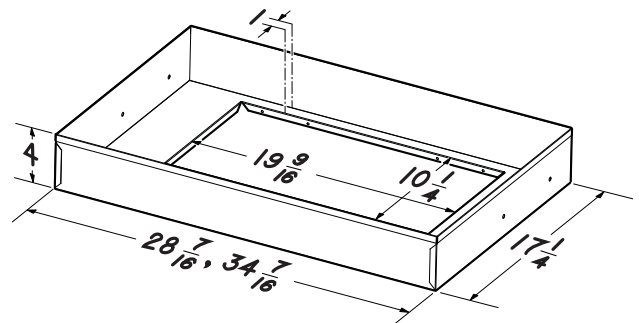
Especially designed to protect the exterior base of a custom hood.

FEATURES

- Cabinet mount – custom application
- 24 gauge CRS, painted silver finish (LB30, LB36, LT30, & LT36)
- Stainless steel (LB30SS & LB36SS)
- Fits into cabinet openings as shown
- Fits custom hood nominal widths: 30" & 36"
- Wipes clean easily
- Recommended for use with Models PM250, PM390, PM500, PM250SSP & PM390SSP Power Modules

Models LB30, LB36, LB30SS & LB36SS

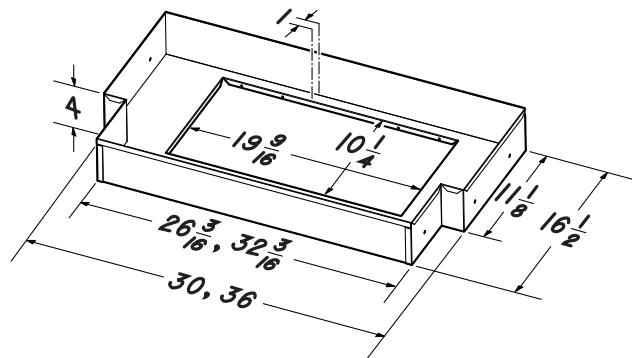
The "B" or Box liner is designed to fit into 18" deep wood hood or cabinet bottoms.



NOTE: Dimensions shown in inches.

Models LT30 & LT36

The "T" or liner is designed to work with wood hoods that are integrated to the adjacent 12" deep cabinets.



NOTE: Dimensions shown in inches.