

Decorator Door Chime

LA-70MA

Your NuTone Door Chime is designed for three (3) door operation. It will sound either 8 or 4 notes for the front door, one (1) note for a second door and a different note for a third door. Use the NuTone transformer packaged with the chime for best results.

When installing this chime and wiring has been completed, check to make sure that the pushbuttons are in good operating condition. When installed correctly, they must not stick - meaning they must return to the original position to open the circuit.

HELPFUL HINTS - This chime is "protection packed." Handle carefully as you would any precision instrument. Comply with local wiring codes when wiring the chime. Upon completion of the installation, if the chime does not operate, recheck your installation with these instructions and wiring diagram. If the chime still does not operate, check the pushbutton(s) for poor contact or loose connections.

INSTALLATION

Select a central location to insure an audible signal throughout the home. For a large ranch-style or multi-story home, two chimes may be needed. Refer to Figures 2 and 3 for Multiple Chime Wiring Information.

WIRING

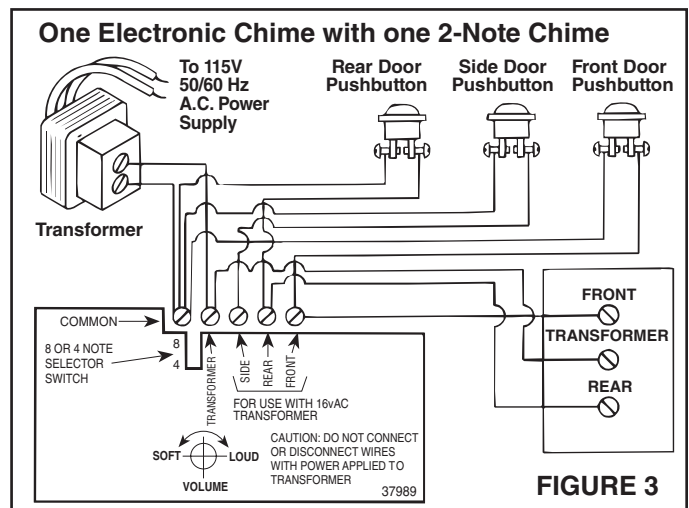
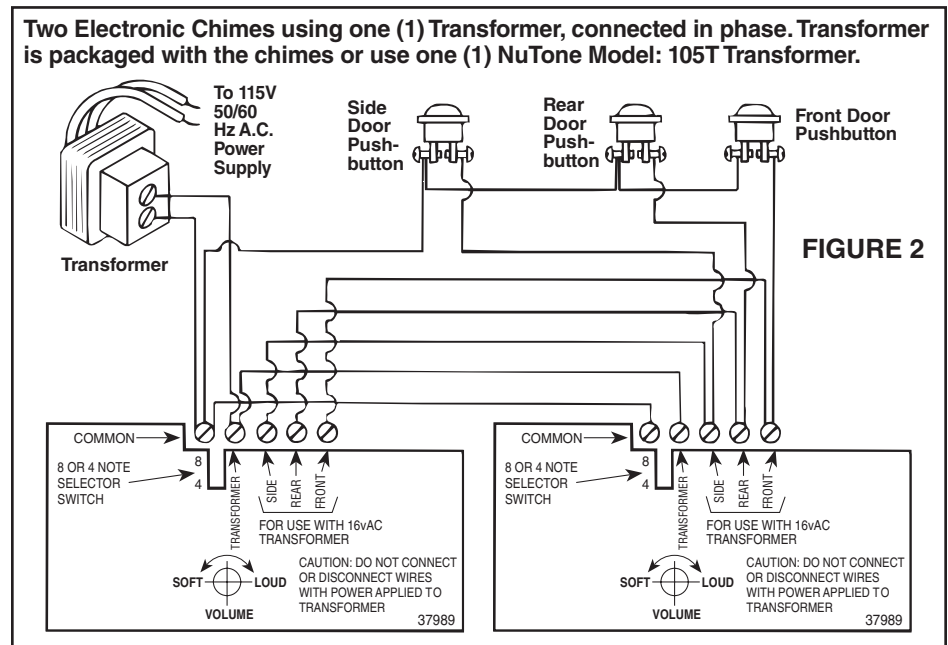
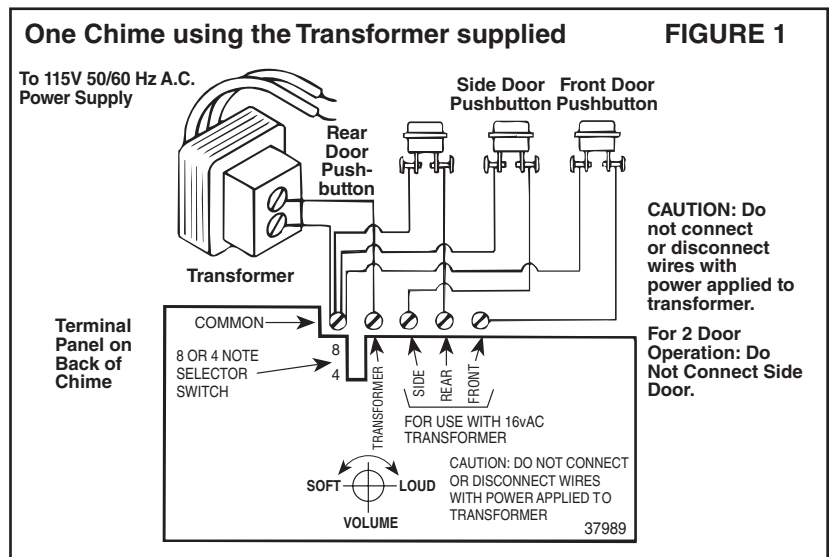
NOTE: BE SURE HOUSE POWER IS TURNED OFF WHEN INSTALLING THE TRANSFORMER.

1. Mount the transformer to a convenient junction box (attic location is not recommended) or circuit breaker box. Connect the transformer leads to house power leads: black to black and white to white.

IMPORTANT: All wiring connections must comply with national or local codes. Run two-conductor, 18-gauge wire from the transformer and pushbuttons to the chime location. Bring wires through wiring access hole in the chime baseplate and fasten the baseplate to the wall with screws provided. Connect wires to chime terminal board as illustrated in Figure 1. For two-chime installation, refer to Figure 2. For one chime with one two-note chime, refer to Figure 3.

Selecting four or eight note operation

For the front door signal, you may select either four note or eight note operation. Selector switch is shown in Figures 1, 2, and 3.



FINAL ADJUSTMENTS

VOLUME ADJUSTMENT

Make any necessary adjustments using the volume control.

IMPORTANT: If the volume control has been set to the maximum level, the chime may double strike one or more notes. If this should occur, turn the volume control down to a lower level.

If chime plungers should ever get “sluggish” in their movement, clean the plungers with a non-flammable cleaning fluid and wipe dry.

CAUTION: NEVER OIL CHIME PLUGERS.