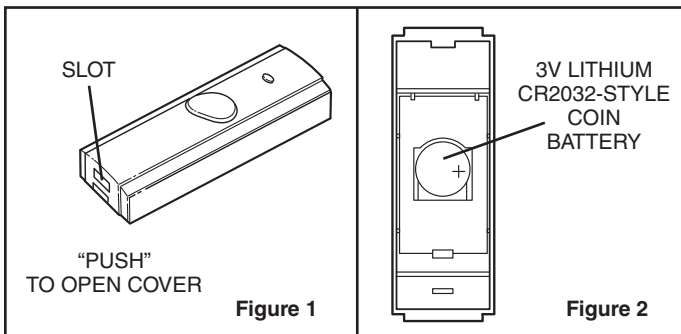


## PORTABLE PILOT™ WIRELESS CHIME Installation & Operating Instructions

**IMPORTANT:** This wireless pushbutton and chime set is for residential use, only. It will operate at an unobstructed distance of 300 feet, minimum. Building materials may reduce operating distance. Certain building materials; such as, but not limited to metal, concrete, brick, stucco and foil-lined insulation; cause greater interference than others; for example, wood or vinyl siding.

### INSTALL PUSHBUTTON BATTERY

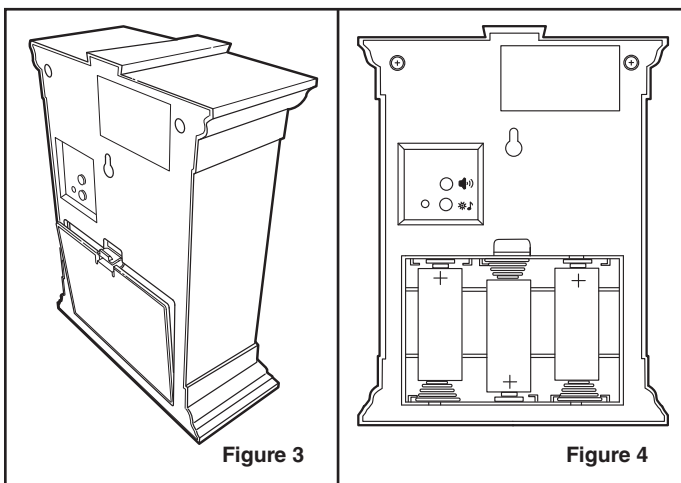


Refer to Figures 1 and 2.

1. Remove pushbutton and 3V lithium coin-battery from packaging.
2. Insert small, flat-blade screwdriver into bottom of pushbutton and twist to separate its base.
3. Orient battery with “+” side viewable.
4. Insert battery into holder and press to seat.
5. Insert top of mounting base onto pushbutton and press bottom together until mounting base snaps securely onto pushbutton.

**Use only 3V (volt) lithium CR2032 style coin-battery for replacement.**

### INSTALL CHIME BATTERIES

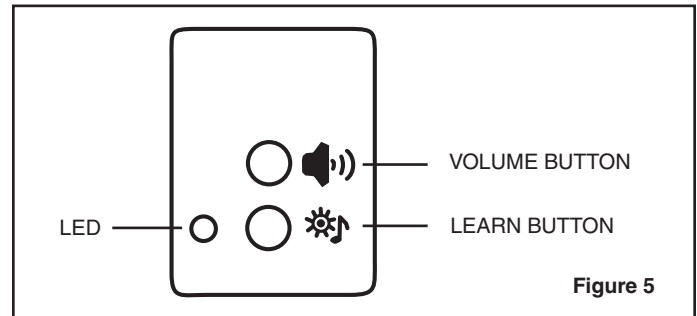


Refer to Figures 3 and 4.

1. Remove chime from packaging.
2. Orient chime face-down.
3. Insert small, flat-blade screwdriver into top of battery cover, push towards bottom of chime and tilt screwdriver to unlock battery cover latch.
4. Lift battery cover and remove it from chime; set cover aside.

5. Insert three (3) 1.5V “D” alkaline batteries (not supplied) oriented as shown on front of battery compartment.
6. Replace and secure battery cover by inserting two (2) tabs into bottom of battery compartment and pressing back-top of cover to latch.

### “LEARN” PROCEDURE



Refer to Figure 5.

1. Set pushbutton and chime next to each other.
  2. Press and release “Learn” button on chime.
  3. LED lights to indicate “Learn” mode was entered.
  4. Press and release pushbutton.
  5. Confirm chime-tone is heard.
  6. Repeat Step 4 to cycle through available chime-tones.
  7. When desired chime-tone is heard, press and release “Learn” button (Note: Chime may not respond to this button being pressed if it is too soon after chime-tone sounds).
  8. Press and release pushbutton; LED should turn off to confirm “Learn” mode exited.
  9. Press and release pushbutton and confirm chime-tone hasn't change from desired one.
- Up to four (4) pushbuttons can be used with a single chime by selecting different chime-tones for each pushbutton.
  - Chime can erase all “Learned” pushbuttons and tones by pressing and holding “Learn” button; LED will light; within 15 seconds, LED will turn off; release “Learn” button.

### DETERMINE USABLE LOCATIONS

**Do not plan to mount pushbutton directly on metal or concrete surfaces; install a 1/8-1/4” wood spacer between pushbutton and metal or concrete mounting surface.**

**Some stucco houses have metal mesh in the wall structure, which will affect the wireless chime performance.**

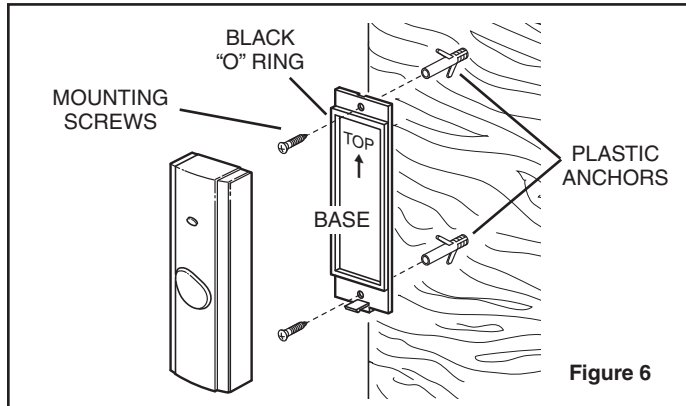
**Experiment with various pushbutton and chime locations to determine location that gives best performance before mounting permanently.**

**Chime must not be located within 1-foot of any metal.**

**Pushbutton and chime should be located within 300-feet of each other.**

1. Place chime near desired mounting location.
2. Select a level location and hold pushbutton in desired mounting location.
3. Press and release pushbutton.
4. Confirm chime-tone sounded.
5. If chime-tone does not sound, temporarily affix pushbutton to mounting surface with double-stick or folded-over tape; repeat Steps 3 and 4.
6. If chime-tone still does not sound, move location of chime closer to pushbutton; repeat Steps 3 and 4.

## MOUNT PUSHBUTTON



Refer to Figures 1 and 6.

1. After selecting usable locations in previous section, go to pushbutton location.
2. Insert small, flat-blade screwdriver into bottom of pushbutton and twist to separate its mounting base.
3. Make sure pushbutton mounting location is level.
4. Position pushbutton mounting base with "TOP" arrow correctly oriented and mark base mounting holes locations.
5. Drill two (2) holes, 1/16" diameter if using supplied screws alone or 3/16" diameter if using supplied plastic anchors and screws, at base mounting hole locations.
6. If 3/16" diameter holes were drilled, insert supplied plastic anchors.
7. Secure pushbutton base to mounting location with two (2) supplied screws.
8. Make sure black O-ring is completely seated in its mounting base groove with round edge at top and flat edge at bottom.
9. Hook pushbutton top catch onto top of base, swing pushbutton into position and press bottom of pushbutton until it securely snaps onto base.

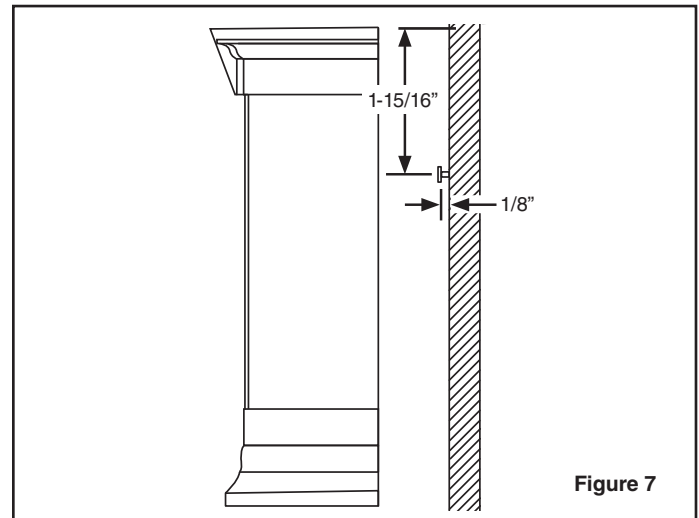
## SET VOLUME PROCEDURE

Refer to Figure 5.

There are four (4) volume levels which are accessed sequentially.

1. Press and release pushbutton to sound chime tone.
2. Press and release "Volume" button to hear the next volume setting.
3. If chime tone is not sounding when "Volume" button is pressed then chime will sound a beep to indicate volume setting.
4. Volume setting cycles from loud to medium-loud, medium-soft and soft then back to loud.
5. Repeat Step 2 until desired volume level is set.
6. Last volume setting is remembered.
7. Press and release pushbutton to sound chime tone and confirm desired volume setting.

## MOUNT CHIME



Refer to Figure 7.

1. Go to selected chime location.
2. Measure 1-15/16" down and centered from top of chime location and mark mounting screw position.
3. Drill a hole, 1/16" diameter if using supplied screw alone or 3/16" diameter if using supplied plastic anchor and screw, at marked mounting screw location.
4. If 3/16" diameter hole was drilled, insert supplied plastic anchor.
5. Insert and tighten top mounting screw until 1/8" remains protruding.
6. Place chime keyhole slot over mounting screw and apply slight downward force to seat keyhole slot on mounting screw.
7. Level chime.

## TROUBLESHOOTING GUIDE

1. Chime does not sound:
  - a. If pushbutton LED doesn't light when pushbutton is pressed then:
    1. Check battery polarity in pushbutton.
    2. Replace battery in pushbutton.
  - b. Replace batteries in chime.
  - c. Bring pushbutton in area of chime and test:
    1. If chime sounds then change location of chime.
    2. If chime does not sound then conduct erase procedure per note at end of "Learn" Procedure then conduct "Learn" Procedure, Steps 1 through 9.
2. Chime loses volume or changes tone:
  - a. Change batteries in chime.
3. Chime sounds when pushbutton is not pressed:
  - a. Release pushbutton catch at bottom and check inside for signs of moisture; check O-ring for cracks or damage.
  - b. Conduct erase procedure per note at end of "Learn" Procedure then conduct "Learn" Procedure, Steps 1 through 9.

### Regulatory Information

The user is cautioned that changes or modifications not expressly approved by the party responsible for regulatory compliance could void the user's authority to operate this equipment.

This device complies with Part 15 of the FCC rules.

Operation is subject to the following two conditions:

1. This device may not cause harmful interference, and
2. This device must accept any interference received, including interference that may cause undesired operation.