

READ AND SAVE THESE INSTRUCTIONS

PLAN THE INSTALLATION

This chime will accommodate up to three (3) entrances. Pushbuttons connected to the "FRONT" terminal play a 4 or 8 note melody. Pushbuttons connected to the "SIDE" and "REAR" terminals play separate single notes. In order to cycle through the 4 or 8-note melody, the chime must have a constant source of power.

NEW CONSTRUCTION INSTALLATIONS (Figure 1)

The transformer provides constant power to terminals 2 and 3 and also provides power to light the pushbuttons.

REPLACING AN EXISTING 2-NOTE CHIME (Figure 2)

Two 9-volt batteries provide constant power to the chime, while the transformer provides power to light the pushbuttons.

INSTALLATION

ALL ELECTRICAL WORK MUST BE DONE IN ACCORDANCE WITH LOCAL AND/OR NATIONAL ELECTRICAL CODE AS APPLICABLE.

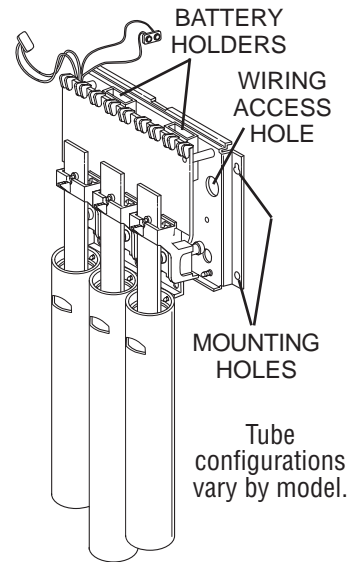
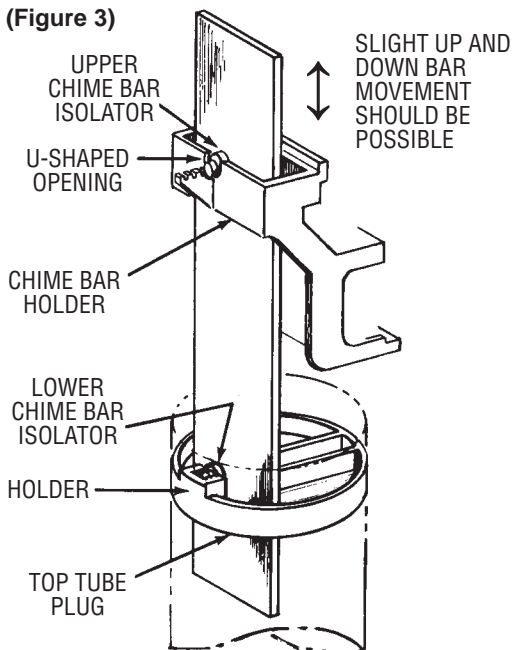
TURN OFF POWER AT SERVICE ENTRANCE BEFORE INSTALLING, WIRING, OR SERVICING THIS PRODUCT.

1. Hold chime mechanism against wall and mark four (4) mounting holes.
2. Drill 3/16" holes where marked and tap in wall anchors from parts bag.
3. Bring wiring through access hole(s) in chime mechanism backplate.
4. Loosely attach chime mechanism to wall with screws from parts bag.
5. Tighten screws securely.
6. Connect wires to appropriate terminals. Refer to Figure 1 for new construction or Figure 2 if replacing an existing 2-note chime. Install two (2) alkaline 9-volt batteries, if appropriate for your application.
7. Turn on power at service entrance. Make sure pushbuttons operate chime properly. (Adjust switch on circuit board for 4 or 8 chime tones at front door. Side and rear doors will have 1 chime tone each.)
8. Hook cover over chime mechanism.

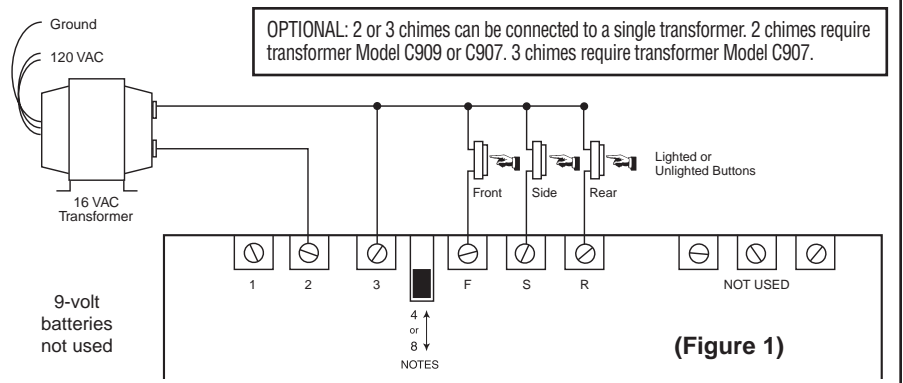
DO NOT OIL CHIME PLUNGERS.

Oil will cause them to stick during operation. If plungers fail to operate freely due to accumulation of dust, cooking grease, etc., clean with a non-flammable cleaning solvent which will evaporate, leaving a dry surface.

(Figure 3)

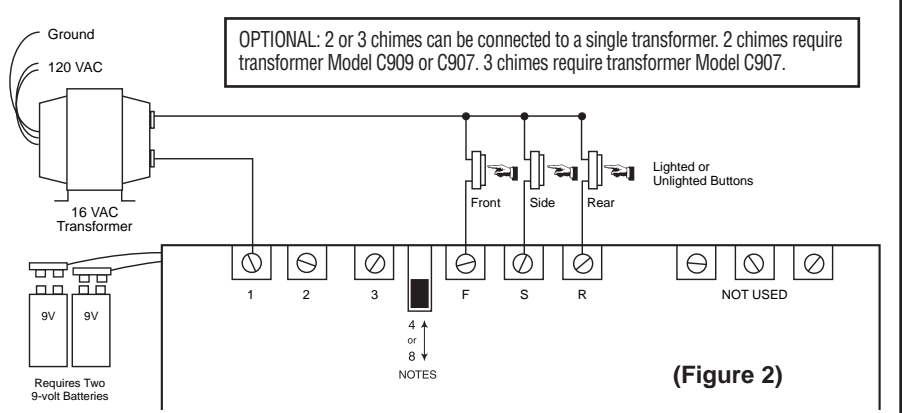


RECOMMENDED NEW CONSTRUCTION WIRING



(Figure 1)

REPLACING EXISTING 2-NOTE CHIME



(Figure 2)

CHIME BAR INSTALLATION (Figure 3)

The three (3) chime bars must be held freely, within the decorative tubes, in order to achieve and sustain the proper chime tone. When the chime bars are properly assembled to the mechanism, it should be possible to move each bar up and down slightly without moving the isolators.

In the event that the chime bars become dislodged during shipping, refer to the instructions below to properly reset them in the tubes.

1. The upper chime bar isolator should be completely seated in the U-shaped opening of the chime bar holder.
2. The lower chime bar isolator should be inside the holder of the top tube plug.