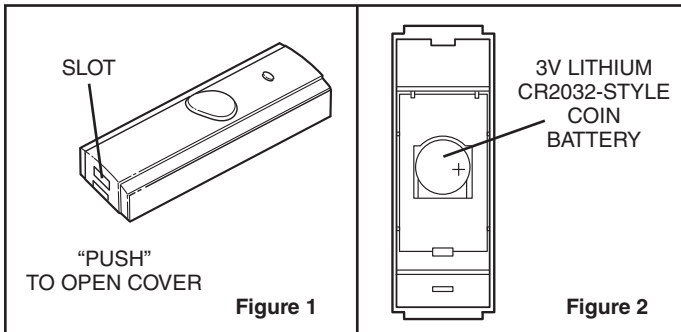


PLUG-IN CHIME WITH STROBE LIGHT Installation & Operating Instructions

IMPORTANT: This wireless pushbutton and chime set is for residential use, only. It will operate at an unobstructed distance of 125 feet. Building materials may reduce operating distance. Certain building materials; such as, but not limited to metal, concrete, brick, stucco and foil-lined insulation; cause greater interference than others; for example, wood or vinyl siding.

INSTALL PUSHBUTTON BATTERY

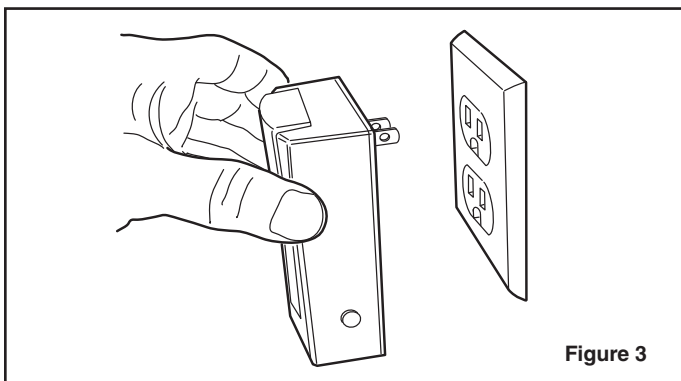


Refer to Figures 1 and 2.

1. Remove pushbutton and 3V lithium coin-battery from packaging.
2. Insert small, flat-blade screwdriver into bottom of pushbutton and twist to separate its base.
3. Orient battery with "+" side viewable.
4. Insert battery into holder and press to seat.
5. Insert top of mounting base onto pushbutton and press bottom together until mounting base snaps securely onto pushbutton.

Use only 3V (volt) lithium CR2032 style coin-battery for replacement.

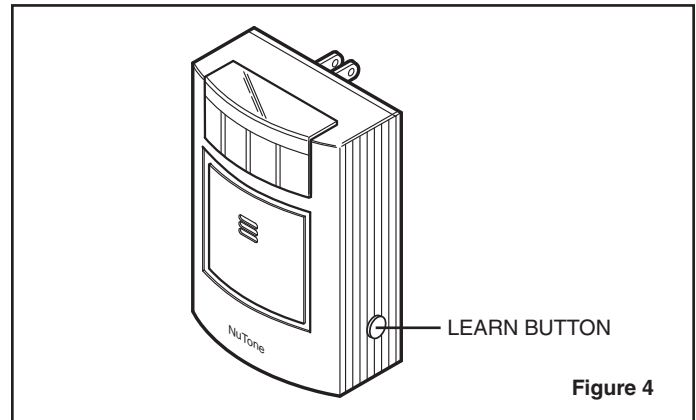
PLUG-IN CHIME



Refer to Figure 3.

1. Remove chime from packaging.
2. Go to selected chime location.
3. Plug chime into wall-mounted electrical outlet.

"LEARN" PROCEDURE



Refer to Figure 4.

1. Bring pushbutton in area of plugged-in chime.
 2. Press and release "Learn" button on chime.
 3. Chime beeps twice to indicate "Learn" mode was entered.
 4. Press and release pushbutton (Strobe does not operate when chime is in "Learn" mode).
 5. Confirm chime-tone is heard.
 6. Repeat Step 4 to cycle through available chime-tones.
 7. When desired chime-tone is heard, press and release "Learn" button (Note: Chime may not respond to this button being pressed if it is too soon after chime-tone sounds).
 8. Chime beeps twice to indicate to confirm exit from "Learn" mode.
 9. Press and release pushbutton and confirm chime-tone hasn't changed from desired one. The chime will sound and the strobe will flash.
- Up to three (3) pushbuttons can be used with a single chime by selecting different chime-tones for each pushbutton.
 - Chime can erase all "Learned" pushbuttons and tones by pressing and holding "Learn" button; chime will beep twice; after less than 15 seconds, chime will beep four times; release "Learn" button.

DETERMINE USABLE LOCATIONS

Do not plan to mount pushbutton directly on metal or concrete surfaces; install a 1/8 to 1/4" wood spacer between pushbutton and metal or concrete mounting surface.

Some stucco houses have metal mesh in the wall structure, which will affect the wireless chime performance.

Experiment with various pushbutton and chime locations to determine location that gives best performance before mounting permanently.

Chime must not be located within 1-foot of any metal.

Pushbutton and chime should be located within 125-feet of each other.

1. Go to desired location for pushbutton.
2. Select a level surface and hold pushbutton in desired mounting position.
3. Press and release pushbutton.
4. Confirm chime-tone sounded.
5. If chime-tone does not sound, temporarily affix pushbutton to mounting surface with double-stick or folded-over tape; repeat Steps 3 and 4.
6. If chime-tone still does not sound, move location of chime closer to pushbutton; repeat Steps 3 and 4.

MOUNT PUSHBUTTON

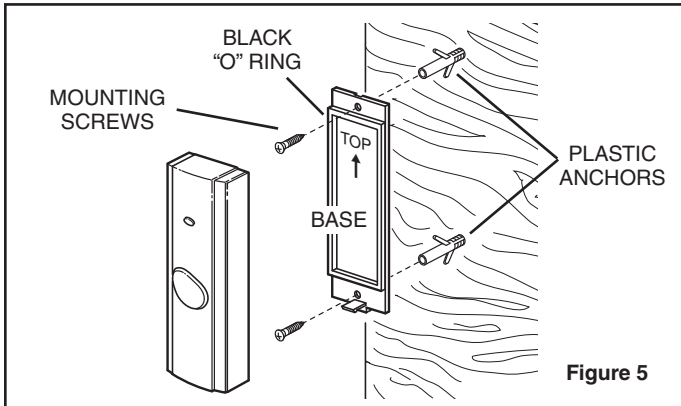


Figure 5

Refer to Figures 1 and 5.

1. After selecting usable locations in previous section, go to pushbutton location.
2. Insert small, flat-blade screwdriver into bottom of pushbutton and twist to separate its mounting base.
3. Make sure pushbutton mounting location is level.
4. Position pushbutton mounting base with "TOP" arrow correctly oriented and mark base mounting holes locations.
5. Drill two (2) holes, 1/16" diameter if using supplied screws alone or 3/16" diameter if using supplied plastic anchors and screws, at base mounting hole locations.
6. If 3/16" diameter holes were drilled, insert supplied plastic anchors.
7. Secure pushbutton base to mounting location with two (2) supplied screws.
8. Make sure black O-ring is completely seated in its mounting base groove with round edge at top and flat edge at bottom.
9. Hook pushbutton top catch onto top of base, swing pushbutton into position and press bottom of pushbutton until it securely snaps onto base.

TROUBLESHOOTING GUIDE

1. Chime does not sound:
 - a. If pushbutton LED doesn't light when pushbutton is pressed then:
 1. Check battery polarity in pushbutton.
 2. Replace battery in pushbutton.
 - b. Bring pushbutton in area of chime and test:
 1. If chime sounds then change location of chime.
 2. If chime does not sound then conduct erase procedure per note at end of "Learn" Procedure then conduct "Learn" Procedure, Steps 1 through 9.
2. Chime sounds when pushbutton is not pressed:
 - a. Release pushbutton catch at bottom and check inside for signs of moisture; check O-ring for cracks or damage.
 - b. Conduct erase procedure per note at end of "Learn" Procedure then conduct "Learn" Procedure, Steps 1 through 9.

Regulatory Information

The user is cautioned that changes or modifications not expressly approved by the party responsible for regulatory compliance could void the user's authority to operate this equipment.

This device complies with Part 15 of the FCC rules.

Operation is subject to the following two conditions:

1. This device may not cause harmful interference, and
2. This device must accept any interference received, including interference that may cause undesired operation.