

Built-In Electronic Chime

MODEL: LA-174

INSTALLATION HINTS

- This Door Chime is recessed into the wall. The white louvered grille is flush-mounted to the wall surface and may be painted.
- **IMPORTANT:** If the door chime is connected to a NuTone Radio-Intercom System, the chime tones will be heard at all inside and outside speaker locations (chime will not sound at door speaker). The Door Chime must be wired in accordance with the Chime-To-Intercom information that is included in this literature.
- If a NuTone Radio-Intercom System is not used, a door speaker may be installed at the outside of the front door so chime tones will be heard at that location.
- Use the NuTone transformer that has been supplied with the door chime.

LOCATION

- Select a central location so the door chime will be heard throughout the house.
- Select pushbutton location(s). This door chime can accommodate up to three (3) door operations.

MOUNTING THE CHIME

Required cutout dimensions: 5 $\frac{3}{8}$ " wide x 7 $\frac{1}{4}$ " high.

Housing: 2 $\frac{1}{4}$ " deep

Refer to Figure 2. Locate wall stud and prepare wall opening at desired location.

WIRING

IMPORTANT: Be certain all wiring complies with local and state codes.

Disconnect the house power when installing the transformer. Keep electricity off until all wire connection have been made.

When securing the wiring to wall studs or ceiling joist, avoid possible shorts that may occur if staples or clips penetrate the protective wiring insulation.

1. Mount the supplied transformer to any junction or panel box. Connect the white and black wires from the transformer to the matching colors of house supply wires. Use approved wire connectors to make all connections.
2. **Refer to Figure 1.** Run 18-22 gage wire from the transformer and pushbutton(s) to the chime location.
3. If applicable, run NuTone IW-2 cable (No.22 twisted pair) from the intercom master station to the chime location.
4. If applicable, run NuTone IW-2 cable (No. 22 twisted pair) from remote speaker(s) to door chime location.
5. Pull wires through knockout in housing. Position the housing flange flush to the finished wall surface and carefully secure the housing with screws. **CAUTION:** The printed circuit board is fragile; DO NOT use nails or hammer.

MAKING CONNECTIONS

1. **Refer to Figure 1.** Make wire connections to terminals shown as applicable.
2. Upon completion of installation, check whether chime is functioning properly by pressing each door pushbutton, if the chime does not operate, recheck your installation and the pushbutton(s) for poor contact or loose connections.

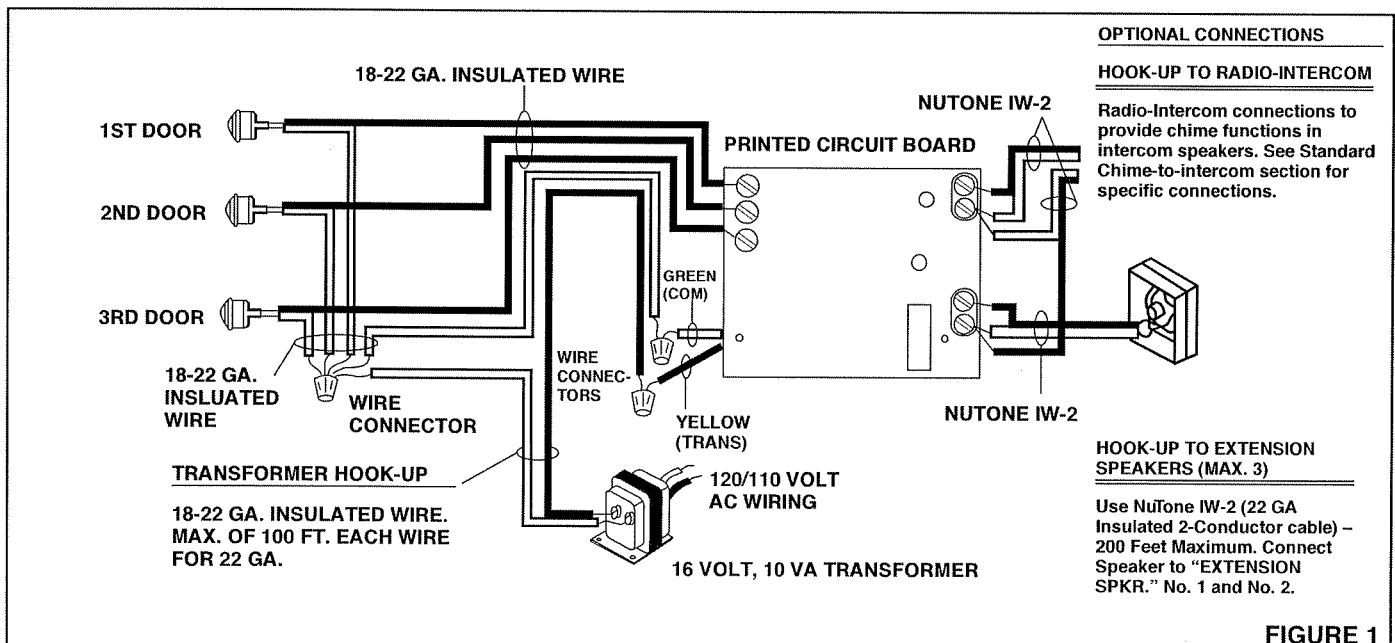


FIGURE 1

CHIME OPERATION

The pushbutton located at the front door will sound eight (8) notes of the Westminster chime sequence. The second door will sound one (1) note and the third door will sound two (2) notes.

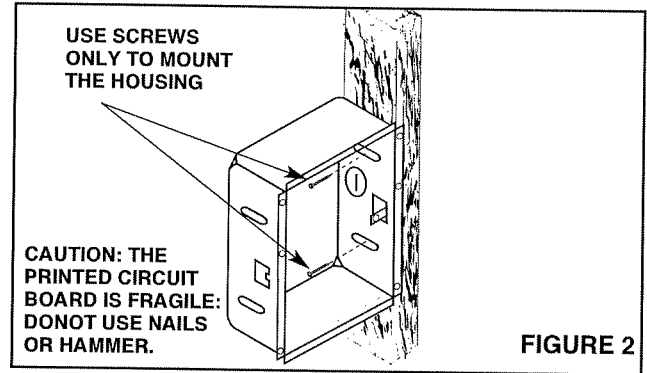
VOLUME ADJUSTMENT

Refer to Figure 1.

NOTE: If the chime is being used with the Intercom System, be certain the intercom is on when adjusting the volume of the door chime.

The chime should be heard clearly through the intercom system. If necessary, use a screwdriver to adjust the appropriate volume control on the back of the chime.

Note: The chime volume control also affects the volume of the "INTERCOM OUT" terminals.



STANDARD CHIME-TO-INTERCOM CONNECTIONS

Inside and/or Outside Speakers will receive chime tones (chime will not sound at door speaker); the chime tones will override radio and intercom operation.

INTERCOM CONNECTION	CHIME-TO-INTERCOM CONNECTION
IMA-516	"I-COM 1 & 2" terminals to "CHIME" terminals
IM-2003, IM-3003, IM-4006, IM-3103	"I-COM 1" terminals to "WHITE" "EXT. SPKR. 2" terminals to "BLACK"
IM-3303	WHITE lead of IW-2 cable to "EXT. SPKR. 2" on the chime. GRAY lead of IW-2 cable to "I-COM" on the chime. WHITE lead of IW-2 cable <i>from</i> the chime to (-) "ELECTRONIC CHIME" terminal of IM-3303 Master. GRAY lead of IW-2 cable <i>from</i> the chime to (+) "ELECTRONIC CHIME" terminal of IM-3303 Master.
IM-4406	WHITE lead of IW-2 cable to "EXT. SPKR. 2" on the chime. GRAY lead of IW-2 cable to "I-COM" on the chime. WHITE lead of IW-2 cable <i>from</i> the chime to (-) "ELECTRONIC CHIME" terminal (located next to "line Output Jack" terminal) on the back of IM-4406 Master. GRAY lead of IW-2 cable <i>from</i> the chime to (+) "ELECTRONIC CHIME" terminal (located next to "tape Input Jack Terminal") on the back of IM-4406 Master.
IM-5000	WHITE lead of IW-2 cable to "EXT. SPKR. 2" on the chime. GRAY lead of IW-2 cable to "I-COM" on the chime. WHITE lead of IW-2 cable <i>from</i> the chime to (-) "ELECTRONIC CHIME" terminal (located next to "Door Speaker" terminal) of IM-5000 Master. GRAY lead of IW-2 cable <i>from</i> the chime to (+) "ELECTRONIC CHIME" terminal (located next to circuit board mounting screw) of IM-5000 Master.