

Recess-Mounted Door Chime

- Your NuTone Door Chime is designed for two-door operation. For best results, use NuTone Model C905 Transformer.
- Handle the door chime carefully as you would any precision instrument.
- Comply with local wiring codes when installing the door chime.
- If upon completion of the installation the chime does not operate, check your installation against these instructions. If the chime still does not operate, check the pushbutton(s) for poor contact or loose connections and wiring for short circuits.
- If chime plungers should ever become sluggish in their movement, clean the plungers with a nonflammable cleaning fluid and wipe dry. **CAUTION: NEVER OIL CHIME PLUNGERS.**

MOUNTING THE FRAME

Refer to **Figure 1**. The chime mechanism is shipped mounted in the metal mounting frame. Remove the cardboard plaster shield and remove the chime mechanism from the frame by freeing one side and sliding to the side.

NEW CONSTRUCTION

1. Bend or break off the four mounting tabs. **Do not bend tabs inward.**
2. Nail the chime mounting frame to a wall stud in the required location. Position the mounting frame so the front edge will be flush to the finished wall surface.
3. Complete the wiring connections.

EXISTING CONSTRUCTION

1. In the desired location between wall studs, mark around the mounting frame and prepare a 4⁷/₈" wide by 7" high cutout.
2. Insert the frame into the cutout until the mounting tabs are positioned against the wall.
3. Bend the recessed mounting tabs out until they contact the inside of the wall. The mounting frame should be secured firmly in position.
4. Complete the wiring connections.

MOUNTING THE DOOR CHIME

1. Install chime to mounting frame after finished wall is in place.
2. Feed wires through the wiring entrance in the chime's base plate and make wire connections to the terminal board.
3. Slide the chime mechanism under the cover mounting brackets and snap chime into frame.
4. Mount chime cover to mounting brackets by using supplied screws.

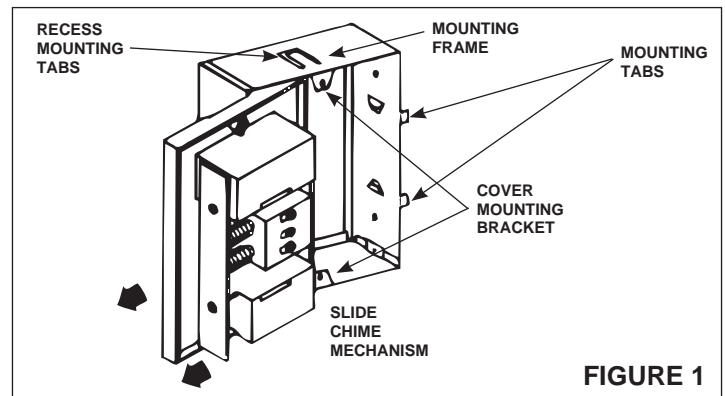


FIGURE 1

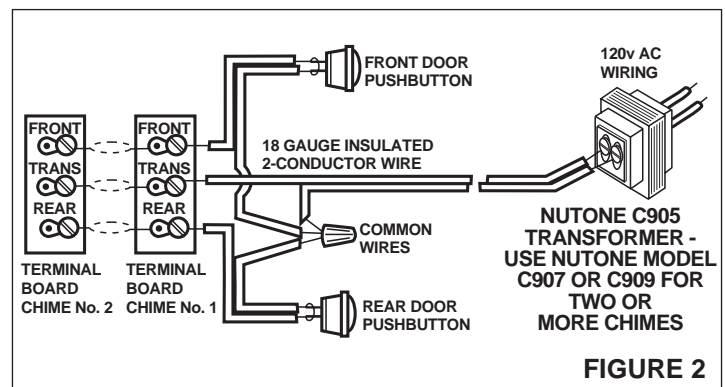


FIGURE 2

WIRING

- Be certain the power has been disconnected at the main source before making the connections.
 - Comply with local electrical code.
 - When stapling wires to studs or joists, do not allow staples to cut through wire insulation.
1. Mount the transformer to a convenient junction box (attic location not recommended) or circuit breaker box.
 2. Connect house power leads to transformer leads: black to black, white to white.
 3. Run 2-conductor, 18 gauge cable from the transformer screw terminals and from the pushbutton screw terminals to the chime location.
 4. **Refer to Figure 2.** Bring wires into the mounting frame. Connect the transformer and pushbutton wires to the terminal board on the chime base plate.