

Two-Note Surface-Mounted Door Chimes

PLANNING

- Your NuTone Door Chime is designed for two-door operation.
- If the home is multiple-level or large ranch style, two or more chimes should be used to provide adequate coverage.
- Handle the door chime carefully, as you would any precision instrument.

WIRING

BE SURE HOUSE POWER IS TURNED OFF WHEN WIRING THE TRANSFORMER. WIRING CONNECTIONS MUST COMPLY WITH LOCAL OR NATIONAL WIRING CODES.

- For a single installation, use NuTone Model 515T or 101T Transformer.
- For two or more chimes, use NuTone Model 105T or 301T Transformer.

NOTE: When fastening chime wiring to wall studs and ceiling joists, care must be taken to avoid possible "shorts" that might be created by allowing staples or clips to cut through the protective wiring insulation.

Refer to **Figure 1**. Mount the transformer to a convenient junction box (attic location is not recommended) or circuit breaker box. Connect house power leads to transformer leads – black to black and white to white.

Refer to **Figure 2** for single chime installation or to **Figure 3** for multiple chime installation. Run 2 conductor 18-22 gauge wire from transformer and the pushbutton(s) to chime location(s). Bring the wires through the wiring hole in the chime baseplate(s) and fasten the baseplate(s) to the wall through the mounting holes with the screws provided. Connect the transformer and the pushbutton wires to the chime terminal board(s).

NOTE: Upon completion of installation, if the chime does not operate properly, check the pushbutton(s) for poor contact or loose connections. Be certain wires are not touching the tone bars.

TUBE INSTALLATION (When applicable)

Refer to **Figure 4**. Hang tubes onto hanger bracket hooks so that the longest tube is at the left and the shortest at the right.

MOUNTING COVER

Install the chime cover over the baseplate.

MAINTENANCE INSTRUCTIONS

If chime plungers should ever become "sluggish" in their movement, clean plungers with a nonflammable cleaning fluid and wipe dry.

CAUTION: NEVER OIL CHIME PLUNGERS.

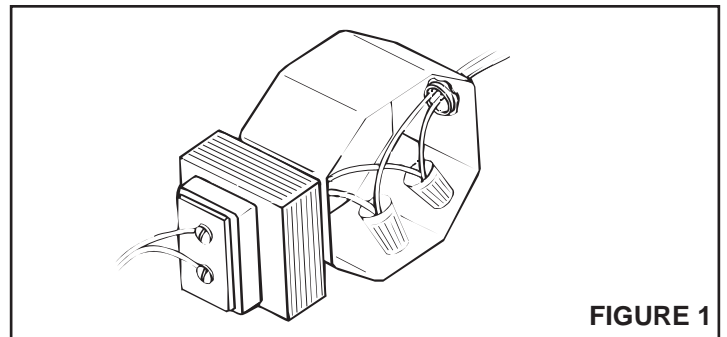


FIGURE 1

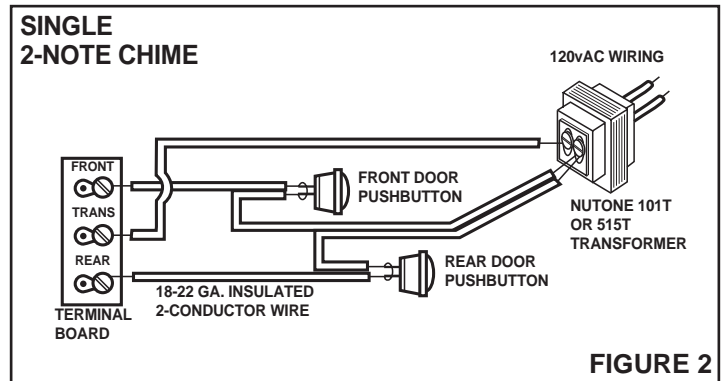


FIGURE 2

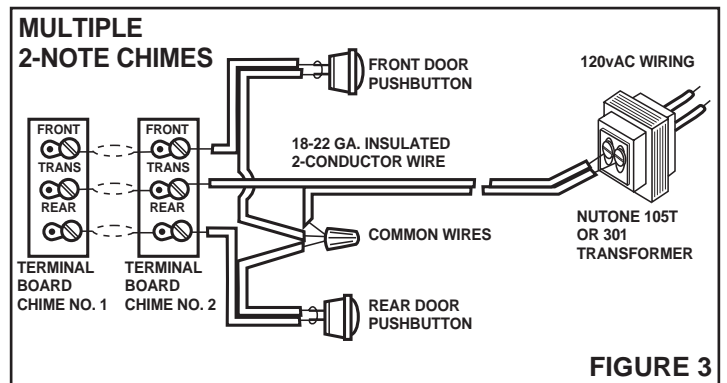


FIGURE 3

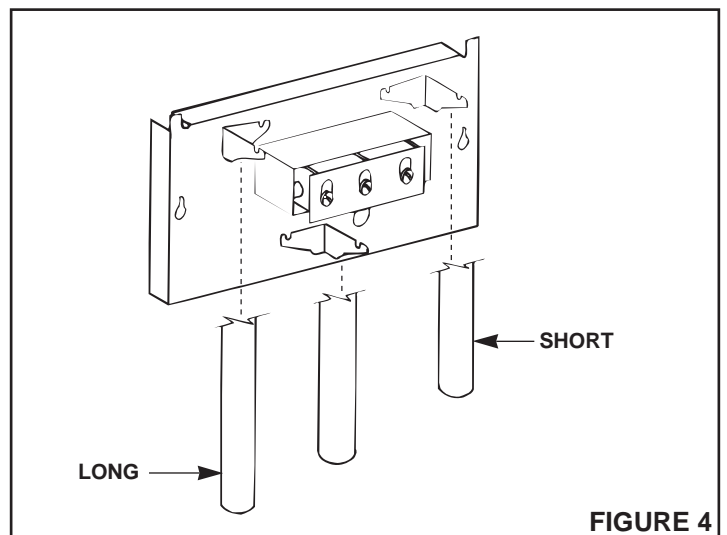


FIGURE 4