

## In-Line Radon Fans

Model: ILRF

### IMPORTANT SAFETY INSTRUCTIONS

---

**WARNING: TO REDUCE THE RISK OF FIRE, ELECTRIC SHOCK, OR INJURY TO PERSONS, OBSERVE THE FOLLOWING:**

- A. Use this unit only in the manner intended by the manufacturer.  
If you have questions, contact the manufacturer.
- B. Before servicing or cleaning unit, switch power off at service panel and lock service panel to prevent power from being switched on accidentally.  
When the service disconnecting means cannot be locked, securely fasten a prominent warning device, such as a tag, to the service panel.
  - Suitable for use with solid state speed controls.

**CAUTION:** For general ventilating use only. Do not use to exhaust hazardous or explosive materials and vapors.

### INSTALLATION INSTRUCTIONS

---

**WARNING: TO REDUCE THE RISK OF FIRE, ELECTRIC SHOCK, OR INJURY TO PERSONS, OBSERVE THE FOLLOWING:**

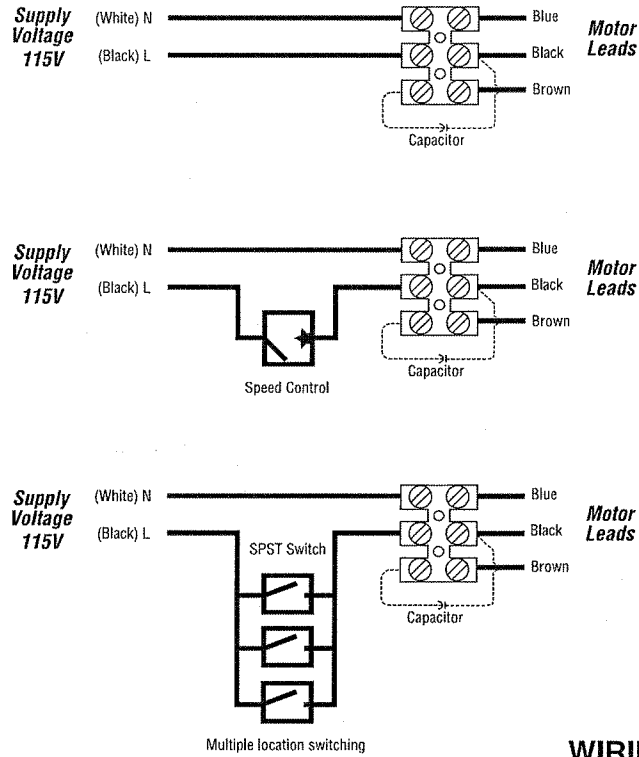
- A. Installation work and electrical wiring must be done by qualified person(s) in accordance with all applicable codes and standards, including fire-rated construction.
- B. Sufficient air is needed for proper combustion and exhausting of gases through the flue (chimney) of fuel burning equipment to prevent back drafting. Follow the heating equipment manufacturer's guideline and safety standards such as those published by the National Fire Protection Association (NFPA), and the American Society for Heating, Refrigeration and Air Conditioning Engineers (ASHRAE), and the local code authorities.
- C. When cutting or drilling into wall or ceiling, do not damage electrical wiring and other hidden utilities.
- D. Ducted fans must always be vented to the outdoors.
- E. **NEVER** place a switch where it can be reached from a tub or shower.

### WIRING

---

1. Run 120v AC house power wiring through switch box to junction box in ventilator housing.
2. Remove ventilator junction box cover.
3. **Refer to Figure 1.** Connect the house power wire (black) to the terminal marked L. Connect the house neutral wire (white) to the terminal marked N (see wiring diagram). The fan housing is fully insulated and therefore no grounding is required.
4. Replace outlet box cover.
5. Connect house power wire to the wall switch.

**NOTE: ALL WIRING MUST COMPLY WITH LOCAL ELECTRICAL CODES.**



**FIGURE 1**

**WIRING CONNECTIONS**