

Fresh In™



FLEXIBLE, ENERGY-EFFICIENT, AND ULTRA QUIET

Fresh In™ FIN-180B can be easily installed and used for various applications. The constant airflow gives you peace of mind in knowing the selected airflow will be maintained under any conditions. The Fresh In fan is so quiet that as soon as it's installed you'll forget it's even there.

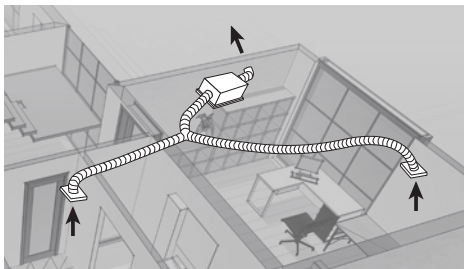
THE PERFECT SOLUTION FOR:

Bathrooms, meeting rooms, living rooms or to distribute heating/cooling from a room with a mini-split or fireplace.



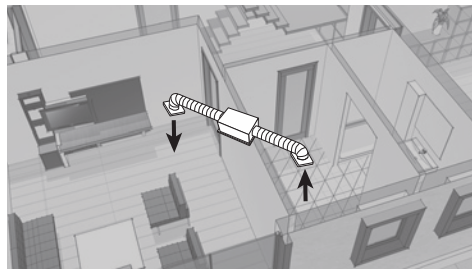
High efficiency
ECM motor with
variable speed &
constant airflow

THE FRESH IN INLINE FAN CAN BE USED AS A SINGLE OR MULTI-ROOM VENTILATION SYSTEM:



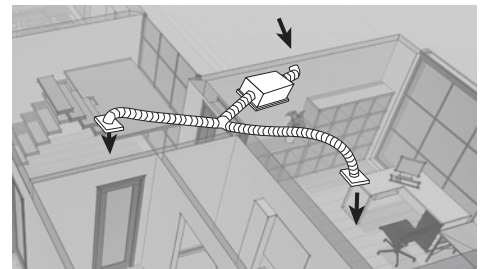
AN EXHAUST FAN

To remove air from a room
using a remote mounted fan



A TRANSFER FAN

To move air from one room to
another (cooled or heated)



A SUPPLY FAN

To bring fresh air
inside the house

Would you like to know if Fresh In could be adapted to a specific application?

Ask your representative and validate with the Code in place in your region. Certain restrictions apply, such as radon, chemical compound and kitchen hood applications. If the unit needs to be installed in a non-conditioned space in the building, the duct needs to be insulated.

Fresh In™



ADVANTAGES VS THE COMPETITION

- High efficiency ECM motor lowers the consumption of energy for more savings
- Blower efficiency as high as 8.4 CFM/W
- Constant airflow maintains the selected airflow under any conditions (up to 0.55 in. w.g.)
- Easy installation and service due to small size and light weight
- Super silent ventilation with a sound level of 0.65 @ 130CFM
- Greater reduction of HERS score over CIF system or PSC motor supply fan
- High density EPS insulated housing avoids condensation and air leakage
- 5-year parts warranty

BENEFITS	BROAN FRESH IN™ FIN-180B
CFM RANGES	Selectable CFM: 30 CFM to 180 CFM (continuous ventilation) by 10 CFM increments
CONTROLS	Button: Speed selection, 8 positions Switch: Range selection 2 positions: Low: 30-100 CFM, High: 110-180 CFM
DAMPER	Spring loaded magnet
HVI	HVI listed: Published data validated by a third party
ENERGY STAR	1. ENERGY STAR® qualified - unit 2. ENERGY STAR® ready - with optional MERV 8 & 13 filters
ECM MOTOR	ECM reduces the HERS score compared to a PSC Better fan efficiency
CONSTANT AIRFLOW	Provides an accurate airflow compensation without any measurement Maintain the selected airflow in any condition (Up to 0.55 in. w.g.)
MERV 8 & 13 FILTERS	MERV 8 and 13 options available
FLEXIBLE INSTALLATION	Fits in between 12" center-joint Flush-to-ceiling installation
READY-TO-PAINT	Ready-to-paint housing
SOUND LEVEL	Super silent ventilation = 0.65 @ 130CFM
EASY TO INSTALL & SERVICE	The door is easy and safe to open (latches)

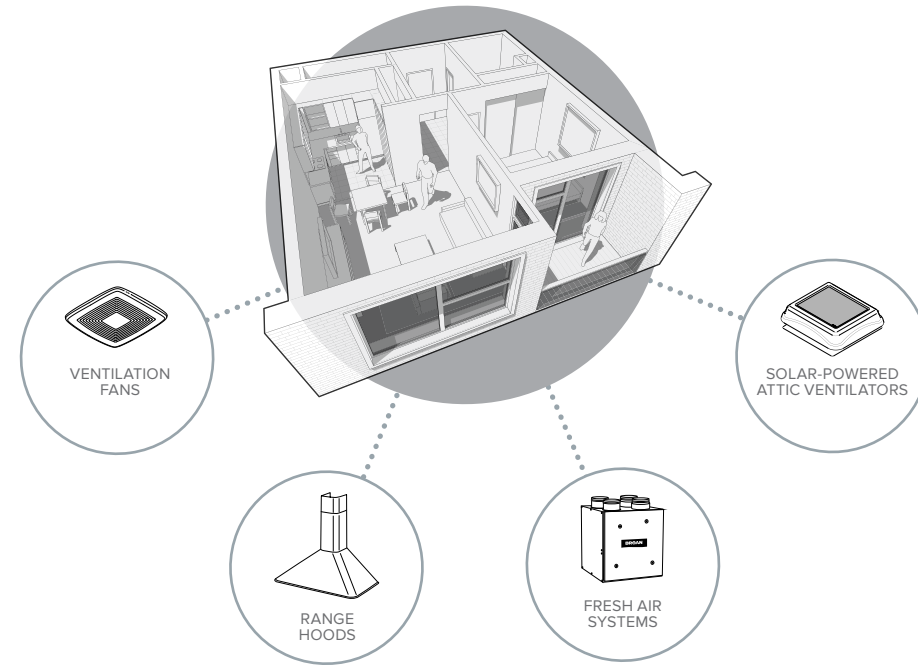


Set it, forget it, and ventilate in a smart, code-compliant manner.

A **Fresh In** supply fan ventilator is ultra compact, making a flush installation between ceiling joists easy. With a paintable filter access door and an optional finishing ring, the ventilator blends in wherever it is installed.

BROAN Fresh In™

IT'S ABOUT TIME FOR FRESH AIR.



THE LEADER IN RESIDENTIAL INDOOR AIR QUALITY.
WELCOME TO A BROAN HOME.

Broan® is America's leading brand of residential ventilation products including range hoods, ventilation fans, fresh air systems, electric and solar-powered attic ventilators.

BROAN

BROAN

Fresh In™

IT'S ABOUT TIME FOR FRESH AIR.

Got 30 seconds?

You can replace the MERV 8 or MERV 13 filter in no time at all. Open the access panel, remove the filter cartridge and slide a new one in. That's it!



A reliable, energy-efficient way to bring fresh air inside.

ASHRAE 2010 & 2016, IRC/IMC 2012-2015 code compliant.

Available in powercord and hardwired versions.

Molded foam and insulated housing inserts protect against air leakage and condensation.

Whether Basic or Premium, Broan **Fresh In** means code compliance, constant airflow and easy maintenance.

In today's tightly built homes, bringing fresh air inside makes perfect sense, whether it's done to meet code requirements or for personal comfort preferences. That's why Broan offers Basic and Premium solutions to residential ventilation. Both models have variable speeds and an ultra-efficient Electronically Commutated Motor (ECM) to maintain a constant airflow. The Basic model is a single-mode solution that delivers continuous airflow. The Premium model utilizes an algorithm that satisfies three ventilation codes and offers five comfort modes to suit different climatic environments. Built-in intelligence delivers airflow without losing efficiency when installed according to industry best practices.



An open window doesn't mean fresh air. The moment you open a window, fine dust and other allergy aggravating particles settle onto every surface. Optional MERV 8 or MERV 13 rated filters remove particulates before air enters the dwelling.

85 years of ventilation leadership. Broan is a leading manufacturer of indoor air quality solutions that keep kitchens cleaner, bathrooms fresher, and the whole house healthier. Welcome to a Broan home—Fresh air wherever you live.™

MERV Filtration

MERV 8
FIN-MERV8

**Mold Spores
Fine Dust**

MERV 13
FIN-MERV13

**Mold Spores
Fine Dust
Bacteria
Smoke**



Clean Air

Cleaner Air

Fresh In Series

	BASIC	PREMIUM
Model number	FIN-180B (6 foot powercord) FIN-180B-HW (Hardwired)	FIN-180P (6 foot powercord) FIN-180P-HW (Hardwired)
Constant Airflow	Yes	Yes
Unit Intelligence	No	Learning mode: AHU running time, outdoor temperature and humidity
Blower CFM	Selectable CFM: 30-180 CFM, 10 CFM increments	Intermittent (% running time) for unit intelligence: 130 and 180 CFM time-based adjustment
Static pressure*	Up to 0.4 in. w.g.—does not influence selected CFM level	
Power consumption (Watts)	10.8 at 90 CFM 0.2 in. w.g.	18.2 at 130 CFM 0.2 in. w.g.
Fan efficiency	8.3 at 90 CFM 0.2 in. w.g.	7.1 at 130 CFM 0.2 in. w.g.
Noise level	0.65 sones at 130 CFM	
Filter	Washable aluminum filter—optional MERV 8 and 13 filters	
Motor	ECM, constant airflow	
Damper	Spring loaded with magnet	Motorized
Operating range of temperature & humidity	Continuous ventilation	3 codes compliant modes 5 comfort modes
Dimensions less ports	10-1/4" W x 14-3/4" D x 10" H	
Warranty on parts	5 years	
Optional wall control	No	VT11W
Optional finishing ring	FIN-R1015	
Product recommended for	Hot & Dry	Mixed & Hot, Dry & Humid
HVI Listed	Yes	Yes
ENERGY STAR® Qualified	Yes	Yes



Broan Fresh In Premium. Code compliance plus five comfort modes.

Broan **Fresh In** is the only ventilator that enables builders to deliver a code-compliant home while giving homeowners the opportunity to select a comfort mode that best suits their climate zone. How? Broan **Fresh In** continually monitors the last 48 hours of outdoor temperature and humidity levels to estimate the best time of the day to run. In a comfort mode setting, if it is too hot, too cold, or too humid the system won't start. It even understands and accounts for the activity of the HVAC system's air handler when choosing the right time to bring fresh air inside. It's the smart way to ensure ventilation, balanced with homeowner comfort.

Fresh In Premium™

Code Compliant	Climate Zone	No Thermostat Call				Thermostat Heating Call		Thermostat Cooling Call	
		Lower limit	Higher limit	Lower limit	Higher limit	Lower limit	Higher limit		
		Temp (F)	Dew point (F)	Temp (F)	Dew point (F)	Temp (F)	Dew point (F)	Temp (F)	Dew point (F)
1-ASHRAE 2016	N/A	14				14			
2-ASHRAE 2010	N/A	14		Code compliant—no limits		14		Code compliant—no limits	
3-IRC / IMC 2012-2015	N/A	14				14			
Comfort modes									
A-Hot / Humid #1	2A, 1	40	23	88	73	32	14	96	78
B-Hot / Humid #2	1, 2A	40	23	90	75	32	14	98	80
C-Hot / Dry	2B	40	23	95	75	32	14	102	85
D-Mixed / Humid	3A, 4A, 3C, 4C	40	23	85	75	32	14	90	80
E-Mixed / Dry	3B, 4B	40	23	86	75	32	14	95	80

™The intelligent **Fresh In** algorithm is patent pending.

An optional decorative finishing ring (FIN-R1015) may be painted to match the ceiling.

Broan **Fresh In** fits in, anywhere. Install in any location or orientation—from the attic to the basement. The unit fits between joists of 12" cc with the bracket that is originally included. Optional Installation bracket FIN-S1624, including hardware, for installation between joists of 16" cc and 24" cc.



Optional VT11W Wall Control for **Fresh In Premium** features a filter clean indicator light.





BROAN™ Fresh In Basic

FIN-180B; see table for available part numbers.

30-180 CFM at 0.2 in. w.g.

30-170 CFM at 0.4 in. w.g.

The Broan Fresh In series is a quiet and effective supply air solution for hot and mixed climates, offering renewed fresh air comfort. It offers the greatest reduction of HERS score compared to CIFS solutions. Thanks to their ECM motors, the Basic FIN-180B and FIN-180B-HW models deliver energy-efficient continuous ventilation at a constant airflow in typical installations. Designed to be the most versatile, reliable and energy-efficient supply fan on the market, it can also be installed horizontally, vertically, upside down, or flush to the ceiling. Two models are available: with a power cord or hardwired.

Mechanical components

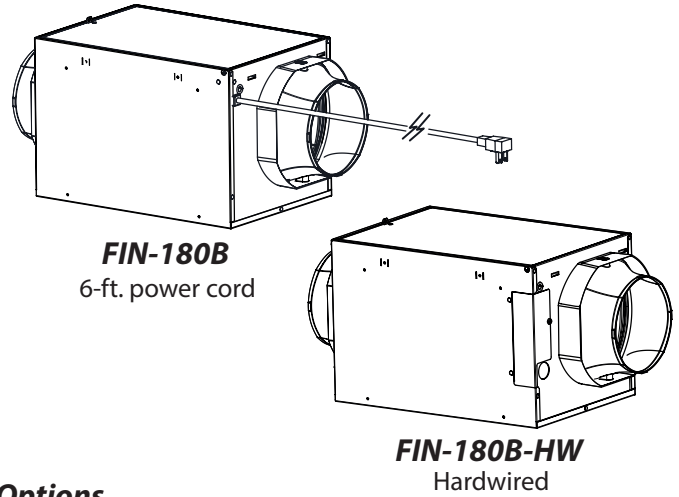
- High efficiency ECM motor
- Constant airflow blower designed to maintain the selected airflow in standard installations
- Silent ventilation with balanced metallic dual inlet blower wheel
- Spring loaded damper
- Blower efficiency as high as 12.4 CFM/W
- Protection grille for blower

Electronic features

- Adjustable speed from 30 to 180 CFM in 10 CFM increments

Installation features

- Five installation possibilities: ceiling hung, flush to ceiling, attic mounted, ceiling mounted and wall mounted
- Paintable door and frame
- Compact and designed to fit between 12-in. cc joists
- 6-in. diameter ports with integrated test ports and bumps to maintain tie-trap in place
- 6-ft. power cord (FIN-180B) or hardwired (FIN-180B-HW)
- Easy maintenance: can be done within 5 minutes through the access door



Options

Description	Part no.
9.25" x 9.25" x 2" MERV 8 filter	FIN- MERV8
9.25" x 9.25" x 2" MERV 13 filter	FIN-MERV13
Paintable decorative finishing trim for discreet installation	FIN-R1015
Installation bracket, including hardware, for installation between joists of 16-in. cc and 24-in. cc	FIN-S1624

Warranty

The BROAN™ Fresh In Basic is protected by a 5-year warranty on parts only.

Requirements and standards

When properly installed and set, this unit will meet requirements of:

- EPA Indoor airPLUS, Version 1
- 2012 & 2015 IECC, Version 2018
- 2012 & 2015 IRC, Version 2018
- ENERGY STAR Certified Homes, Version 3
- ASHRAE 62.2-2010 & 62.2-2016

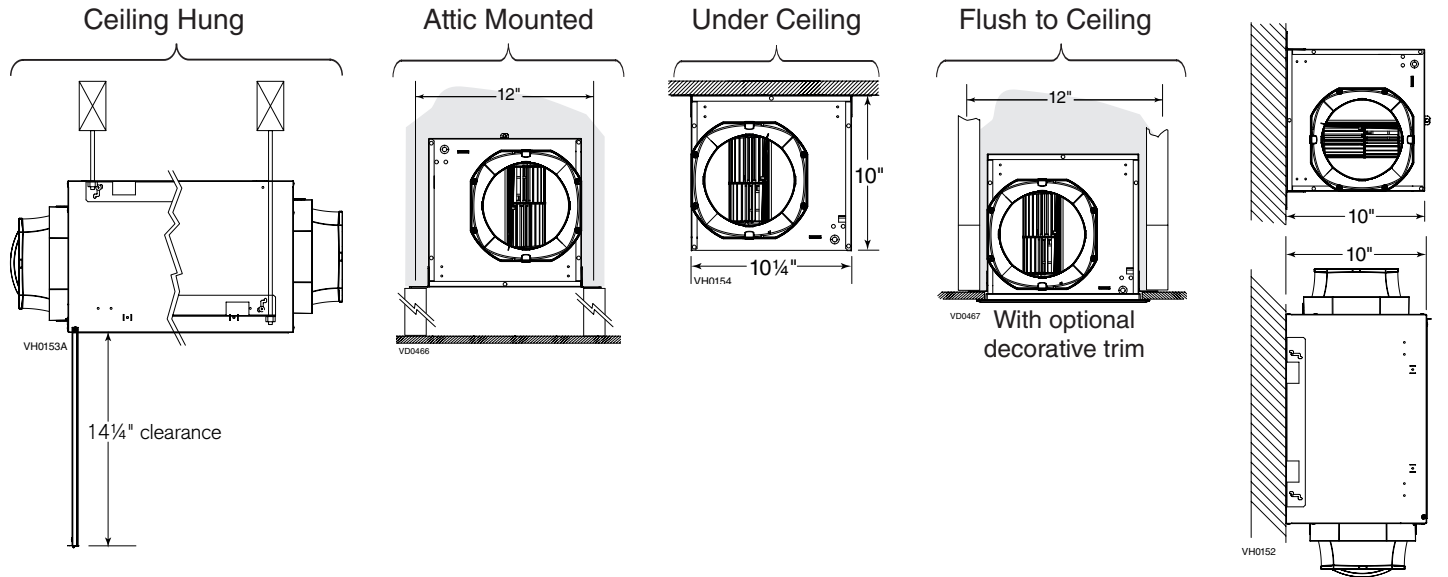
Characteristics

	FIN-180B	FIN-180B-HW
Power	6-ft. power cord	Hardwired
Noise level	0.65 sone at 130 CFM	
Weight	11 lb.	
Shipping weight	14.5 lb.	
Ports diameter	6 in.	
Width	10 ¼ in.	
Length	14 ¾ in. (without ports)	
Height	10 in.	
Min. operating temperature	14 °F	



Mounting options

Can be installed as a stand alone unit or connected to the return ducting of an AHU.



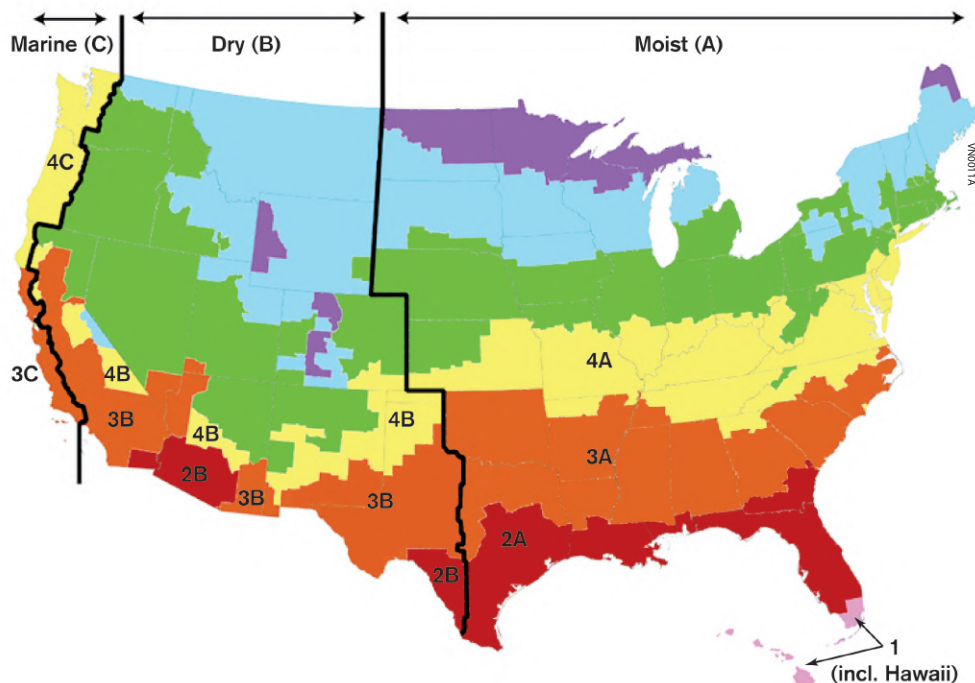
Electricity Consumption

Airflow setting (CFM)		30		60		90			120			180		
Static Pressure (in. w. g.)		0.1	0.2	0.1	0.2	0.1	0.2	0.4	0.1	0.2	0.4	0.1	0.2	0.4
Main Filter	Power (Watts)	4.8	6.8	7.0	8.9	7.8	10.8	19.0	9.7	14.4	22.5	22.0	27.0	37.7
	Efficiency (CFM/Watts)	6.3	4.4	8.6	6.7	11.5	8.3	4.7	12.4	8.3	5.3	8.2	6.7	5.3
MERV 13	Power (Watts)	5.2	7.2	7.4	10.8	11.3	15.2	22.7	17.0	21.2	N/A	32.5	37.0	N/A
	Efficiency (CFM/Watts)	5.8	4.2	8.1	5.6	8.0	5.9	4.0	7.1	5.7	N/A	5.5	4.9	N/A

Factory Setting: 80 CFM

120 VAC, 60 Hz, 0.7 Amp

Installation Zones

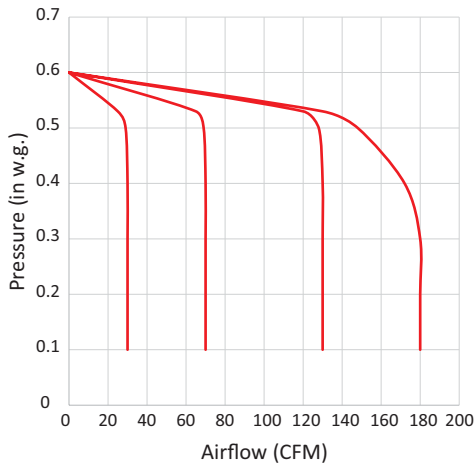


Installation allowed in zones 1-4. Refer to the installation instructions for more details.

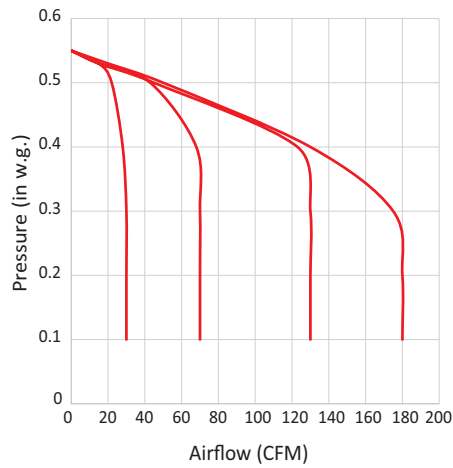
Fan Curve Examples

Airflow adjustable from 30 to 180 CFM in 10 CFM increments.

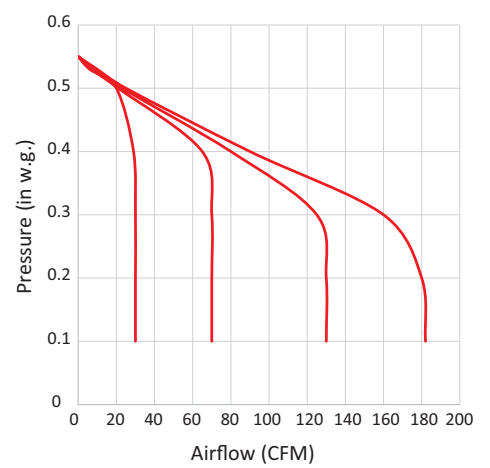
Fan curve examples with main filter



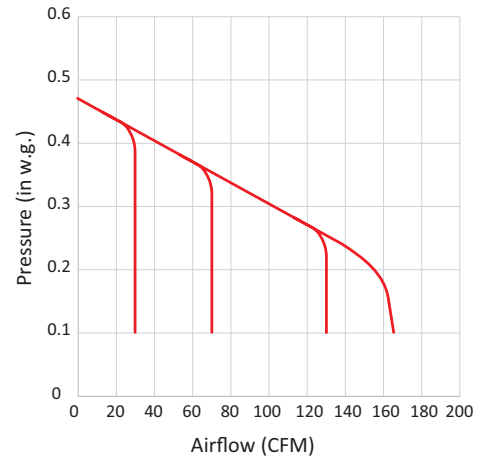
Fan curve examples with MERV 8 filter



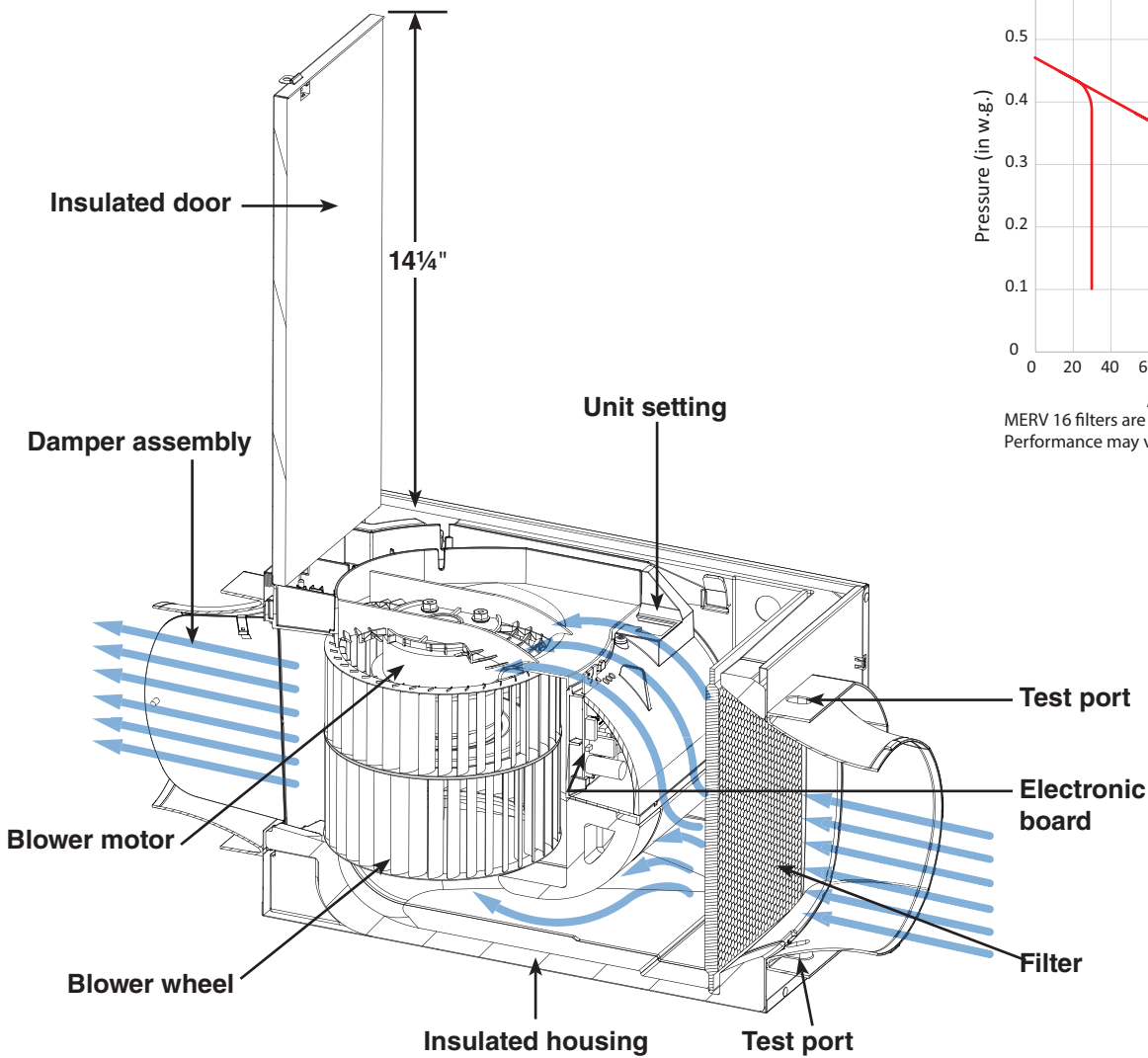
Fan curve examples with MERV 13 filter



Fan curve examples with MERV 16 filter



MERV 16 filters are not available through Broan. Performance may vary according to brand.



A&E Specs

Performance Requirements

- Unit's blower shall be designed to maintain a constant airflow in typical installations
- Noise level shall be lower than 0.65 sone at 130 CFM, 0.2 in w.g.
- Unit speed shall be selectable from 30 to 180 CFM in 10 CFM increments.
- Backdraft damper shall have a magnet to prevent flickering and stay closed during door blower test.
- Unit's blower efficiency shall be at least 8.3 CFM/W at 120 CFM, 0.2 in. w.g.
- Unit shall be equipped with test ports to allow airflow measurement.
- Unit shall have an access door that allows quick and easy maintenance of all parts.

Construction Requirements

- Blower wheel shall be metallic.
- Unit shall have an ECM motor.
- Backdraft damper shall be integrated to the unit.
- The unit's blower shall be protected by a grille.
- Filter shall be accessible without a tool.
- Unit's housing and door shall be paintable and made of 24 ga galvanized steel.
- Unit shall include a washable metallic filter.
- Unit shall allow 2-in. thick MERV filters in option.
- Unit's width shall not exceed 10.25".
- Unit's height shall not exceed 10".
- Unit's housing's length shall not exceed 14.75".
- Unit's weight shall not exceed 12 pounds.

Quality Requirements

- All plastic parts in the airflow shall be UL94 HB fire rated.
- Electrical enclosure shall be in plastic to prevent condensation and UL94 5VA fire rated.
- Unit's housing shall be insulated and not show any thermal bridge to the metallic housing.
- Unit's insulation shall be made of expanded polystyrene and UL94 HF-2 fire rated.
- Unit shall be protected by a 5-year warranty.
- Unit shall be ENERGY STAR and HVI rated.
- Unit shall be ASHRAE 62.2-2010 and 2016 IRC/IMC compliant.
- Unit shall be certified by an independent laboratory.
- Manufacturer shall be ISO 9001-2015.
- Manufacturing plant shall be located in North America.

Installation requirements

- Unit shall fit between 12-in. cc joists.
- Unit shall be designed to be connected with central ventilation or to be used in a standalone installation.
- Unit shall be suitable for ceiling hung, ceiling mounted, attic mounted, wall mounted and flush-to-ceiling installation.
- Unit shall be designed to be installed in any orientation.
- Unit's ports shall be 6-in. round with bumps to maintain a tie-wrap in place.