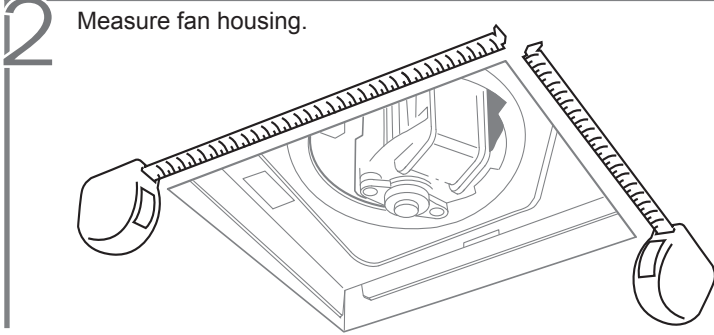
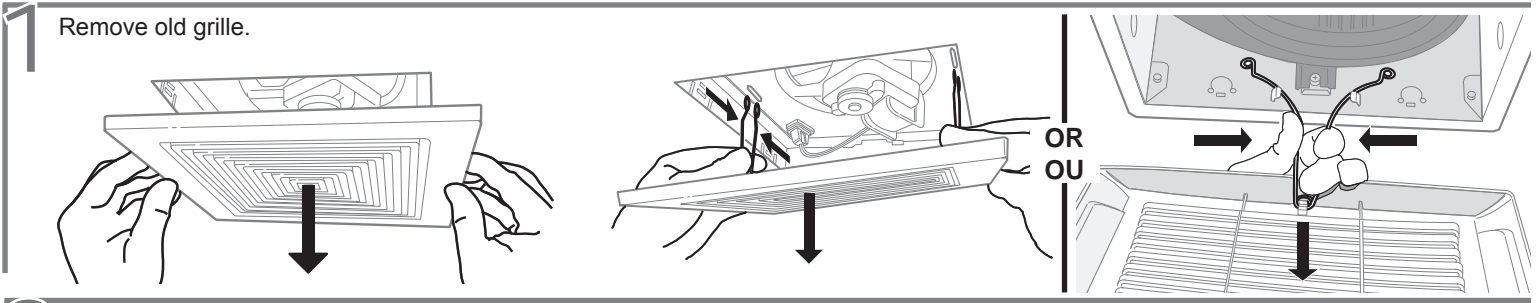


**⚠ WARNING**

Switch power off at service panel and lock the service disconnecting means to prevent power from being switched on accidentally.

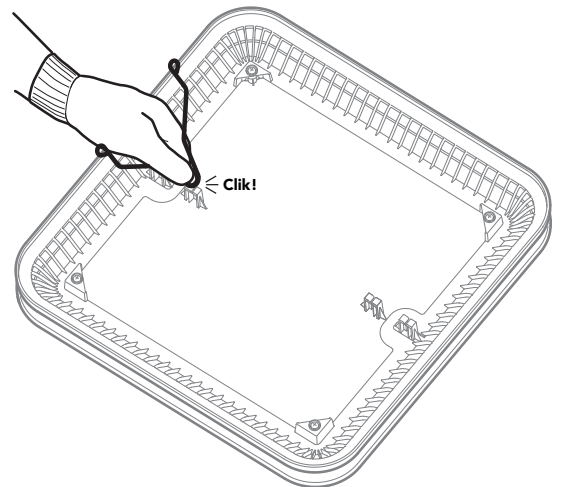
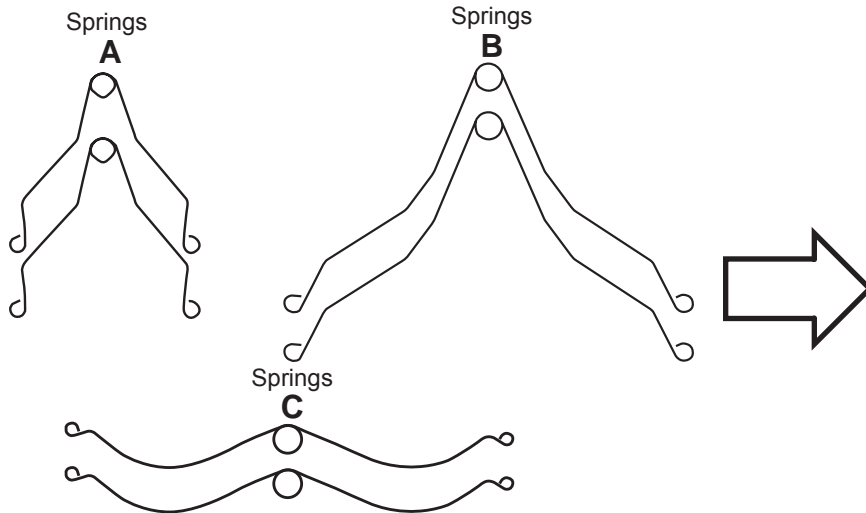
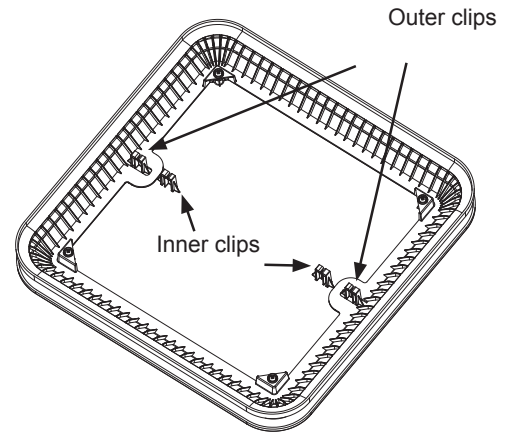
**CAUTION**

Always wear safety gloves and glasses.



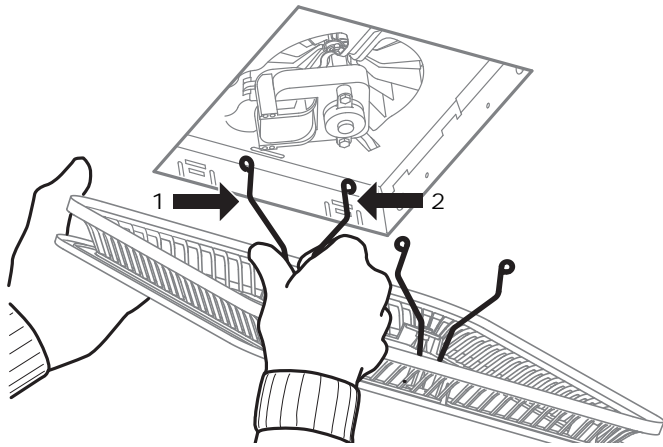
**3** Choose grille springs for your fan model.

Housing dimensions (in)	Spring set to use	Grille clips to use
7 1/4 x 7 1/2	<b>A</b>	Inner / Intérieur
10 1/2 x 11 3/8	<b>A</b>	Outer / Extérieur
8 x 8 1/4	<b>B</b>	Inner / Intérieur
9 1/4 x 10	<b>C</b>	Outer / Extérieur
10 1/2 x 11 3/8	<b>C</b>	Outer / Extérieur



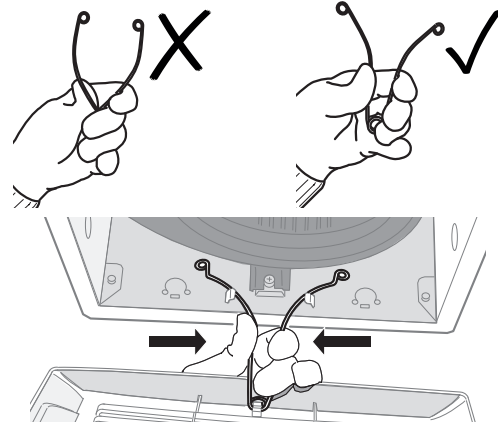
# 4.1

Squeeze grille spring and insert into fan slot, one side at a time.



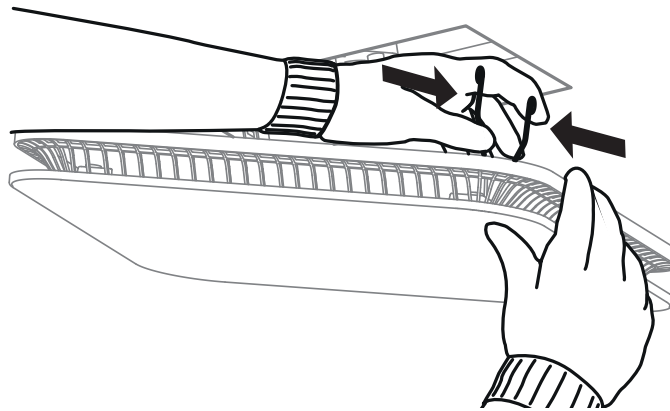
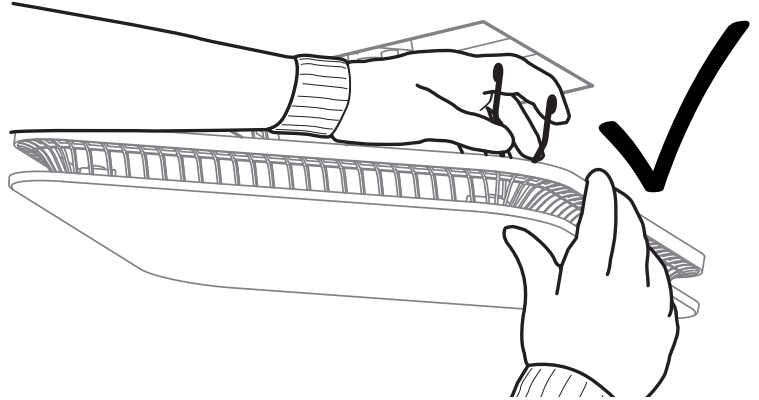
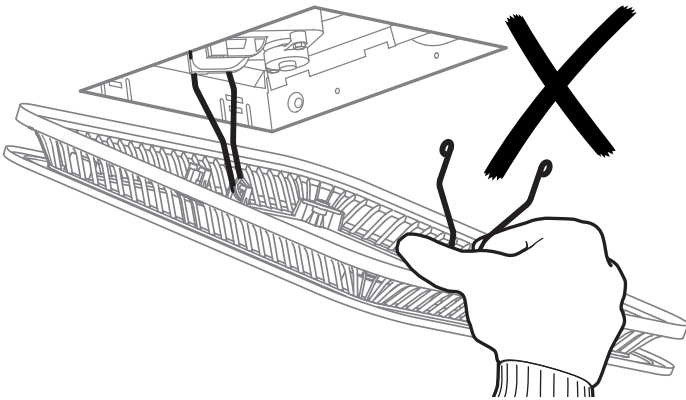
SPRINGS C

OR  
OU



# 4.2

Insert second grille spring into fan slot by placing your hand between the grille and the fan housing.



# 5

Push new grille up against the ceiling, one side at a time.

