

**⚠ WARNING**

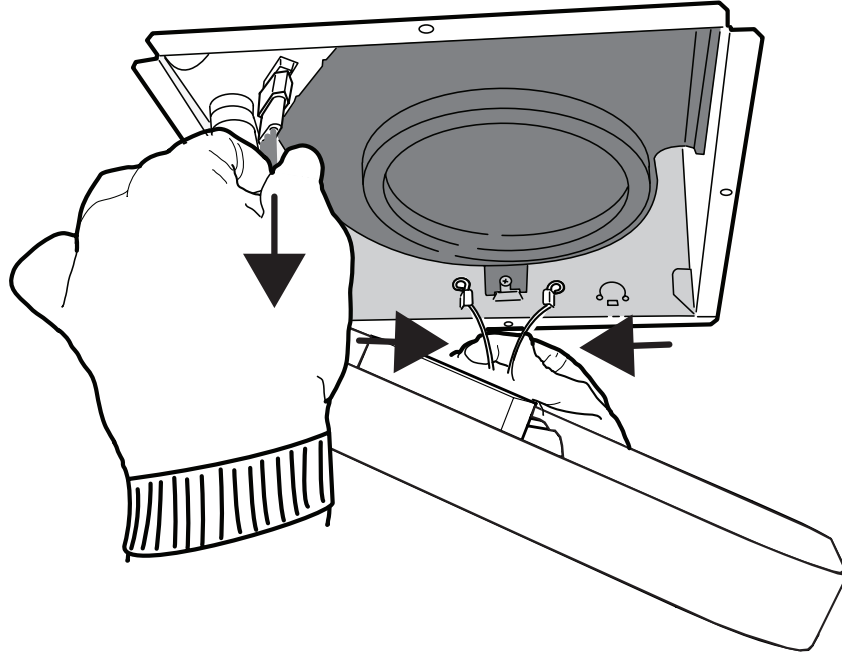
Switch power off at service panel and lock the service disconnecting means to prevent power from being switched on accidentally.

**CAUTION**

Always wear safety gloves and glasses.

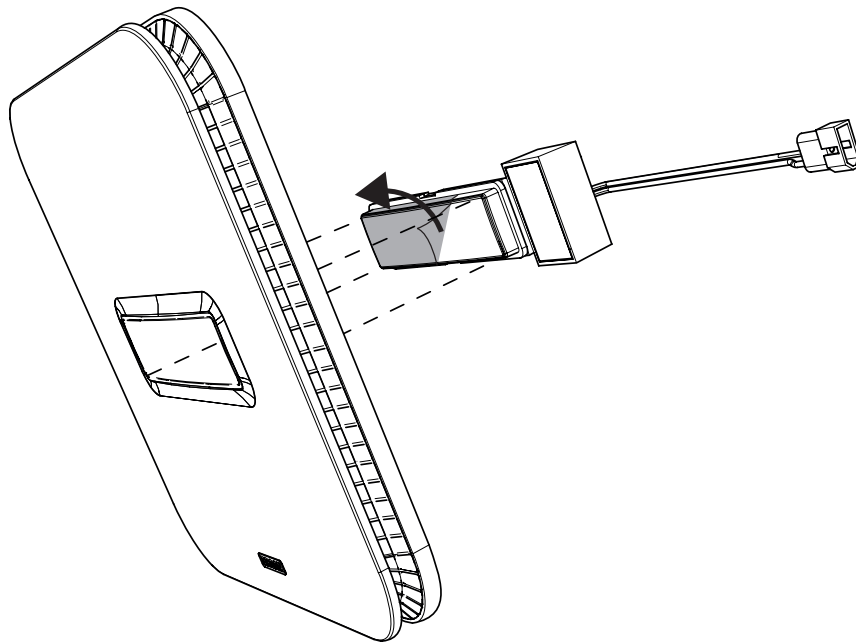
1

Remove old grille, unplug LED module.



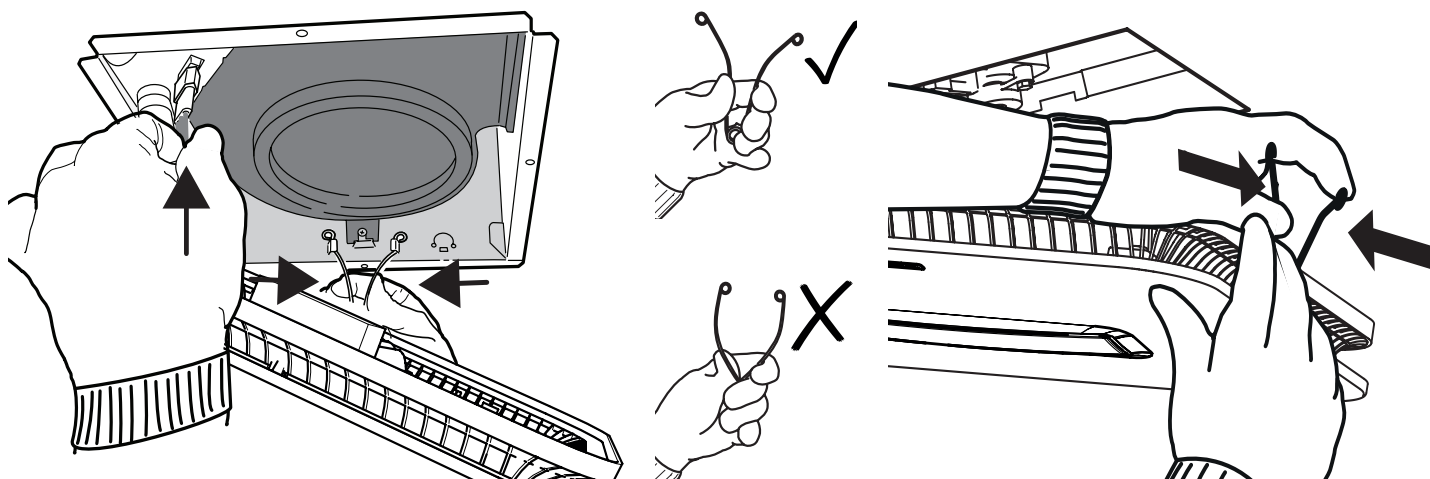
2

Before installing your SurfaceShield™ grille upgrade, remove the LED module from the grille by removing the tape. Remove the protective film from the LED module, then snap the LED module back in place.



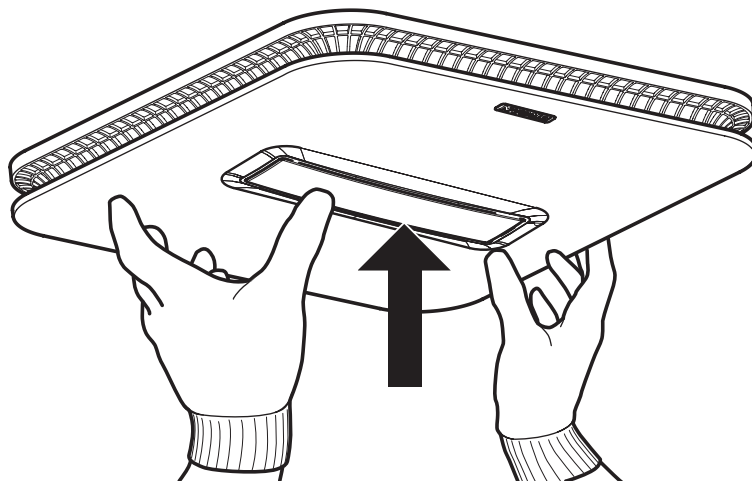
3

Insert one grille spring in the fan slot, plug in the LED module, and insert the second grille spring into the other fan slot.

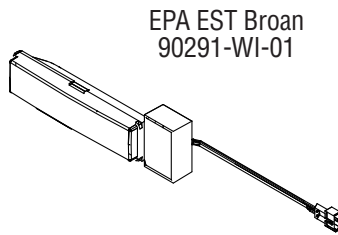


4

Push the new grille up against the ceiling.



# **BROAN**<sup>®</sup> **NuTone**<sup>®</sup> **SurfaceShield™** **LED Module**



## **Operating Instructions**

For installation instructions, refer to the product installation instructions.

## **READ AND SAVE THESE INSTRUCTIONS**

### **WARNING**

1. Use this unit only in the manner intended by the manufacturer. If you have questions, contact the manufacturer at the address or telephone number listed in the warranty.
2. Before servicing or cleaning unit, switch power off at service panel and lock the service disconnecting means to prevent power from being switched on accidentally. When the service disconnecting means cannot be locked, securely fasten a prominent warning device, such as a tag, to the service panel.
3. Installation work and electrical wiring must be done by a qualified person(s) in accordance with all applicable codes and standards, including fire-rated construction codes and standards.

### **CAUTION**

1. Please read specification information on product for further information and requirements.

### **OPERATION**

The SurfaceShield LED module comes with two light modes, white light mode and SurfaceShield mode. White light mode is a standard white LED light and the SurfaceShield mode uses an advanced light mode designed by Vyy™.

1. To manually enter SurfaceShield mode: Flip the light switch ON-OFF-ON within 10 seconds.
2. To automatically enter SurfaceShield mode: Leave the white light mode ON, and the SurfaceShield mode will automatically come ON after approximately 1 hour.
3. To enter white light mode: Flip the switch to the ON position. If the light is in SurfaceShield mode, flip the switch OFF-ON to enter white light mode.

#### Notes:

1. For maximum effectiveness, the LED module shall remain active in SurfaceShield mode at all times (24 hours a day recommended).
2. Surfaces within 5 feet of direct light will be impacted the most from SurfaceShield mode.
3. Once the LED module is in SurfaceShield mode, it will not turn off until the switch is turned OFF.
4. SurfaceShield™ technology with Vyy™ antimicrobial light technology prevents mold, mildew, and bacteria growth.