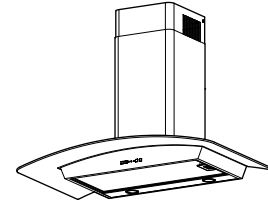


# Chimney Range Hood



## READ AND SAVE THESE INSTRUCTIONS

**! FOR DOMESTIC COOKING ONLY !**

**WARNING**  

**TO REDUCE THE RISK OF FIRE, ELECTRIC SHOCK, OR INJURY TO PERSON(S) OBSERVE THE FOLLOWING:**

1. Use this unit only in the manner intended by the manufacturer. If you have questions, contact the manufacturer at the address or telephone number listed in the warranty.
2. Before servicing or cleaning unit, switch power off at service panel and lock service disconnecting means to prevent power from being switched on accidentally. When the service disconnecting means cannot be locked, securely fasten a prominent warning device, such as a tag, to the service panel.
3. Installation work and electrical wiring must be done by qualified personnel in accordance with all applicable codes and standards, including fire-rated construction codes and standards.
4. Sufficient air is needed for proper combustion and exhausting of gases through the flue (chimney) of fuel burning equipment to prevent back drafting. Follow the heating equipment manufacturer's guideline and safety standards such as those published by the National Fire Protection Association (NFPA), and the American Society for Heating, Refrigeration and Air Conditioning Engineers (ASHRAE), and the local code authorities.
5. This product may have sharp edges. Be careful to avoid cuts and abrasions during installation and cleaning.
6. When cutting or drilling into wall or ceiling, do not damage electrical wiring and other hidden utilities.
7. Ducted fans must always be vented to the outdoors.
8. Use only metal ductwork.
9. Do not use this unit with any other solid-state speed control device.
10. Do not operate any fan with a damaged cord or plug. Discard fan or return to an authorized service facility for examination and/or repair.
11. **GROUNDING INSTRUCTION:** The appliance must be grounded. In the event of an electrical short circuit, grounding reduces the risk of electric shock by providing an escape wire for the electric current. The appliance is equipped with a cord having a grounding wire with a grounding plug. The plug must be plugged into an outlet that is properly installed and grounded. **WARNING:** Improper grounding can result in a risk of electric shock. Consult a qualified electrician if the grounding instructions are not completely understood, or if doubt exists as to whether the appliance is properly grounded. Do not use an extension cord. If the power supply cord is too short, have a qualified electrician install an outlet near the appliance.

**TO REDUCE THE RISK OF A RANGE TOP GREASE FIRE:**

- a) Never leave surface units unattended at high settings. Boilovers cause smoking and greasy splatters that may ignite. Heat oils slowly on low or medium settings.
- b) Always turn hood ON when cooking at high heat or when flambéing food (i.e. Crêpes Suzette, Cherries Jubilee, Peppercorn Beef Flambé).
- c) Clean ventilating fans frequently. Grease should not be allowed to accumulate on fan or filters.
- d) Use proper pan size. Always use cookware appropriate for the size of the surface element.

**WARNING**  

**TO REDUCE THE RISK OF INJURY TO PERSON(S) IN THE EVENT OF A RANGE TOP GREASE FIRE, OBSERVE THE FOLLOWING\*:**

1. **SMOTHER FLAMES** with a close-fitting lid, cookie sheet, or metal tray, then turn off the burner. **BE CAREFUL TO PREVENT BURNS. IF THE FLAMES DO NOT GO OUT IMMEDIATELY, EVACUATE AND CALL THE FIRE DEPARTMENT.**
2. **NEVER PICK UP A FLAMING PAN** – You may be burned.
3. **DO NOT USE WATER**, including wet dishcloths or towels – a violent steam explosion will result.
4. Use an extinguisher **ONLY** if:
  - A. You know you have a Class ABC extinguisher, and you know how to operate it.
  - B. The fire is small and contained in the area where it started.
  - C. The fire department is being called.
  - D. You can fight the fire with your back to an exit.

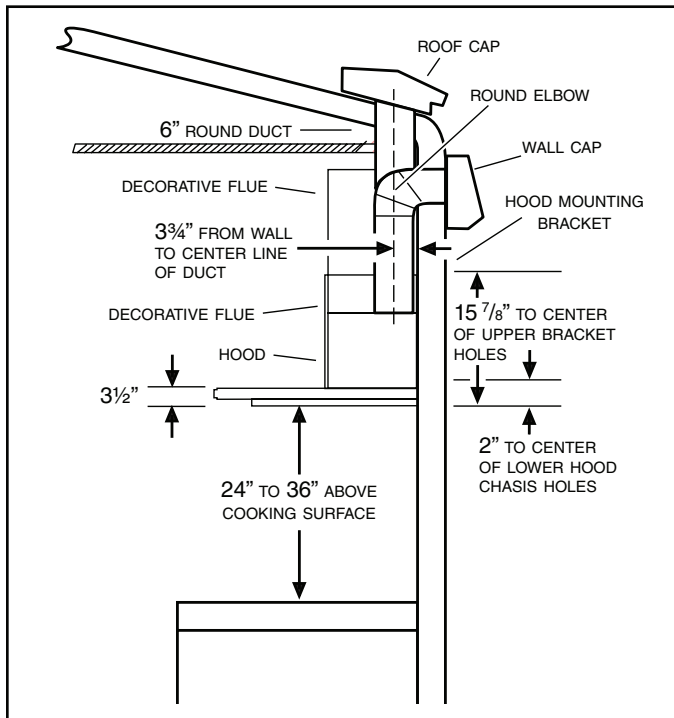
\* Based on "Kitchen Fire Safety Tips" published by NFPA

**CAUTION** 

1. For indoor use only.
2. For general ventilating use only. Do not use to exhaust hazardous or explosive materials and vapors.
3. To avoid motor bearing damage and noisy and/or unbalanced impeller, keep drywall spray, construction dust, etc. off power unit.
4. Your hood motor has a thermal overload which will automatically shut off the motor if it becomes overheated. The motor will restart when it will cool down. If the motor continues to shut off and restart, have the hood serviced.
5. The bottom of the hood **MUST NOT BE LESS** than 24" and recommended at a maximum of 36" above cooktop for best capture of cooking impurities.
6. Two installers are recommended because of the size of this hood.
7. To reduce risk of fire and to properly exhaust air, be sure to duct air outside. Do not exhaust air into spaces within walls or ceilings or into attics, crawl spaces, or garages.
8. Be careful when installing the decorative flue and hood, they may have sharp edges.
9. This hood is not intended to be used as a shelf.
10. Please read specification label on product for further information and requirements.

**Installer: Leave this manual  
with the homeowner.  
Homeowner: Operation and Maintenance  
instructions on pages 7 & 8.**

## MEASURE THE INSTALLATION



The minimum hood distance above cooktop **MUST NOT BE LESS** than 24".

A maximum of 36" above cooktop is recommended for best capture of cooking impurities.

Distances over 36" are at the installer and users discretion; providing that the ceiling height permits.

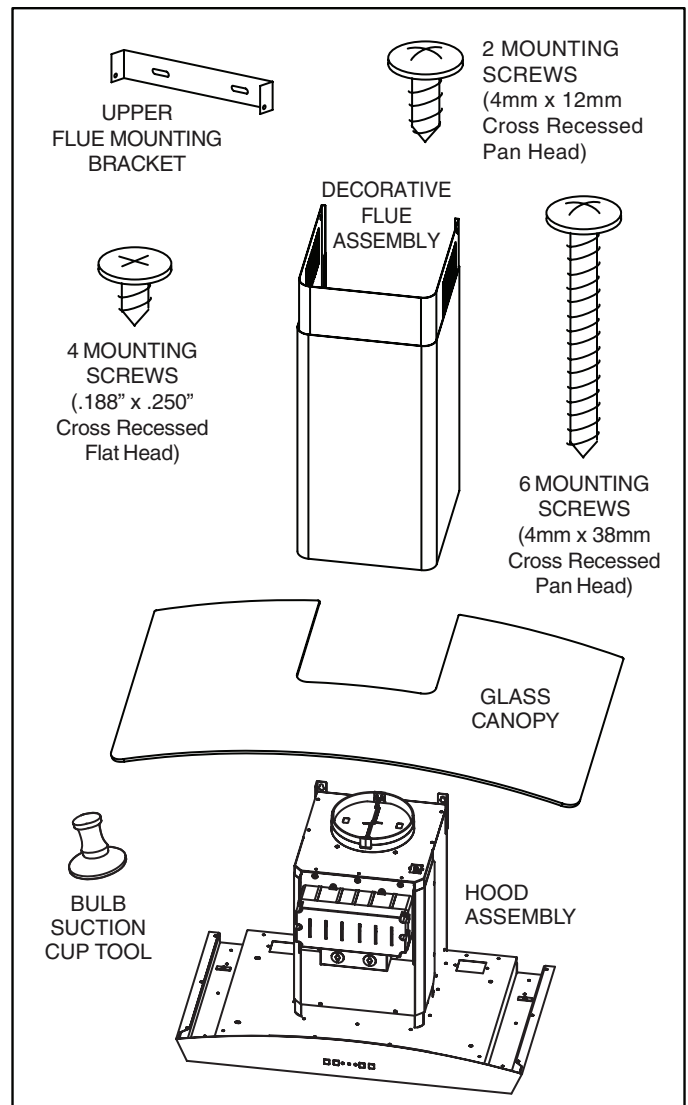
## INSTALL THE DUCTWORK (Ducted Hoods Only)

1. Decide where the ductwork will run between the hood and the outside.
2. A straight, short duct run will allow the hood to perform most efficiently.
3. Long duct runs, elbows and transitions will reduce the performance of the hood. Use as few of them as possible. Larger ducting may be required for best performance with longer duct runs.
4. Install wall cap or roof cap. Connect round metal ductwork to cap and work back towards the hood location. Use duct tape to seal the joints between ductwork sections.

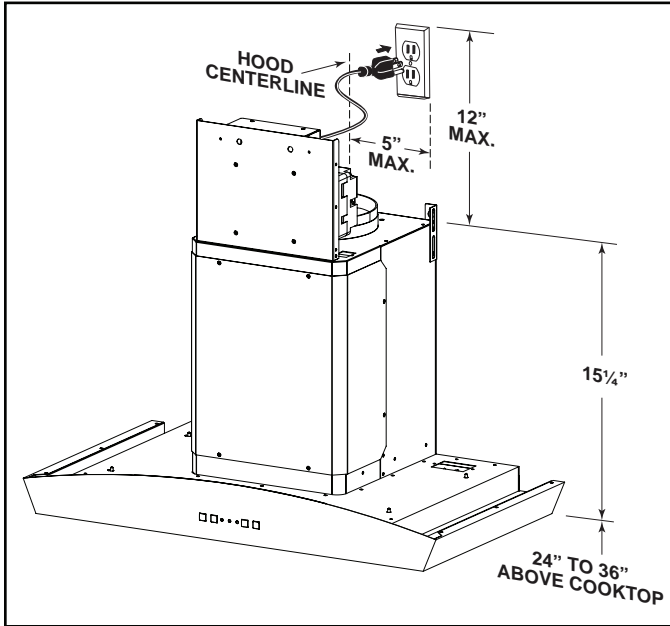
## PREPARE THE HOOD

Unpack hood and check contents. You should receive:

- 1 - Hood Assembly
- 1 - Glass Canopy
- 1 - Decorative Flue Assembly (consisting of upper and lower flue)
- 1 - Upper Flue Mounting Bracket
- 1 - Aluminum Grease Filter (installed on hood)
- 2 - 35W MR16 GU10 Halogen Lamps (installed on hood)
- 1 - Parts Bag containing:
  - 6 - Mounting Screws (4mm x 38mm Cross Recessed Pan Head)
  - 2 - Mounting Screws (4mm x 12mm Cross Recessed Pan Head)
  - 4 - Mounting Screws (.188" x .250" Cross Recessed Flat Head)
  - 1 - Suction Cup Tool
  - 1 - Installation Manual



## INSTALL THE WIRING

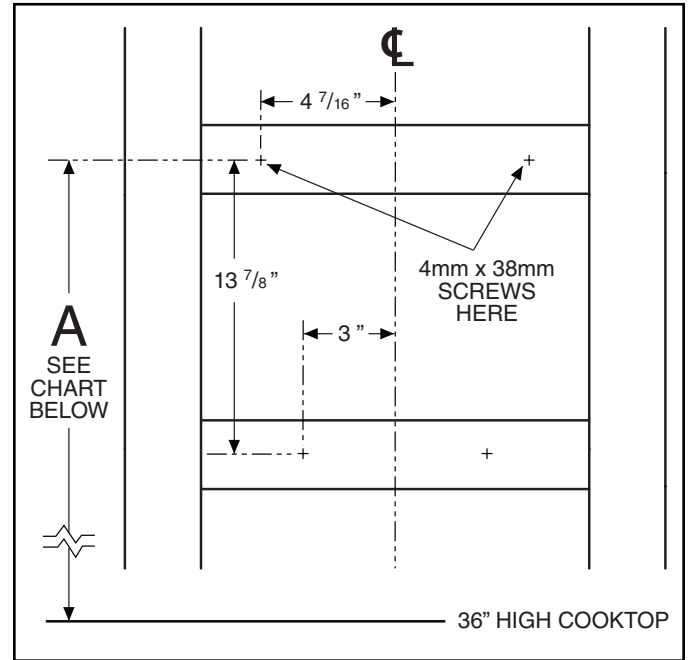


### GROUNDING INSTRUCTIONS

This appliance must be grounded. In the event of an electrical short circuit, grounding reduces the risk of electric shock by providing an escape wire for the electric current. This appliance is equipped with a cord having a grounding wire with a grounding plug. The plug must be plugged into an outlet that is properly installed and grounded.

Position the electrical outlet within the space covered by the decorative flue and where it will not interfere with the round duct. Make sure the outlet is no further than 12" from the top of the hood chassis and that the outlet does not interfere with a mounting bracket fastening area or where the decorative flue touches the wall.

## INSTALL THE HOOD MOUNTING SUPPORT



1. Construct wood wall framing that is flush with interior surface of wall studs. Make sure the framing is centered over installation location.

### NOTE

Hood distance above cooktop is: Minimum 24", Maximum 36" 9-ft. and 10-ft. ceilings may require Flue Extension, Model FXNE56SS depending on installation height (purchase separately). See chart below for additional installation height information.

2. After wall surface is finished, fasten (2) 4mm x 38mm screws at the locations shown above. **DO NOT TIGHTEN** screws all the way.

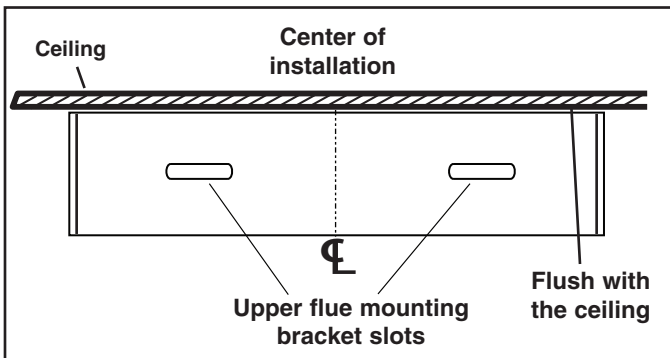
Desired Hood Distance (Above 36" High Cooktop)

	24"	25"	26"	27"	28"	29"	30"	31"	32"	33"	34"	35"	36"
Ceiling Height	Upper Mounting Screws Location (Distance above 36" High Cooktop - (Dimension "A"))												
8 Feet	39-7/8"	40-7/8"	41-7/8"	42-7/8"	43-7/8"	44-7/8"	45-7/8"	46-7/8"	47-7/8"	48-7/8"	*49-7/8"	*50-7/8"	*51-7/8"
9 Feet								**46-7/8"	**47-7/8"	**48-7/8"	49-7/8"	50-7/8"	51-7/8"
9 Feet with FXNE56SS	39-7/8"	40-7/8"	41-7/8"	42-7/8"	43-7/8"	44-7/8"	45-7/8"						
10 Feet with FXNE56SS	39-7/8"	40-7/8"	41-7/8"	42-7/8"	43-7/8"	44-7/8"	45-7/8"	46-7/8"	47-7/8"	48-7/8"	49-7/8"	50-7/8"	51-7/8"

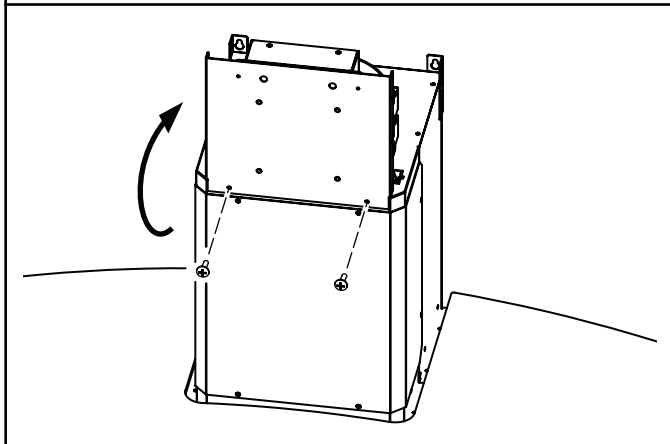
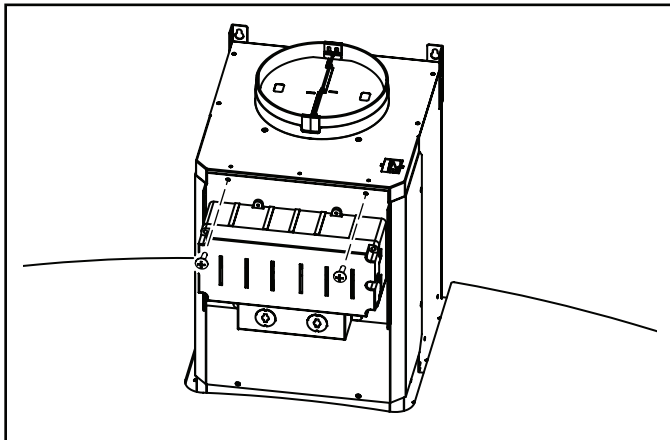
\* Not recommended for non-ducted configuration

\*\* Non-duct recirculation louvers will be exposed in ducted configuration

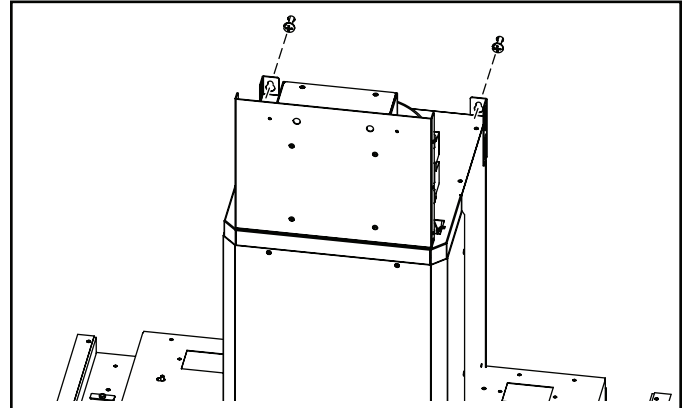
## INSTALL THE HOOD (Ducted Hoods Only)



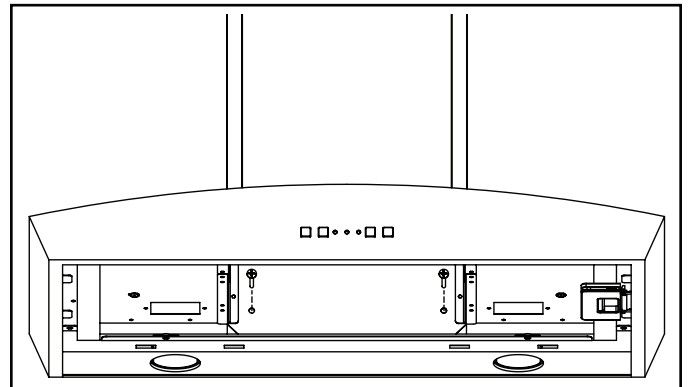
1. Center the flue mounting bracket over the hood location and flush with the ceiling. Secure the upper flue bracket to the wall using (2) 4mm x 38mm mounting screws. Note: Drywall anchors may be needed (not included).
2. Tighten the screws completely. Make sure that the bracket is tight against the wall and ceiling.
3. Remove (2) screws holding electronics mounting bracket to hood. Rotate bracket 180 degrees and re-attach bracket to hood with same (2) screws.



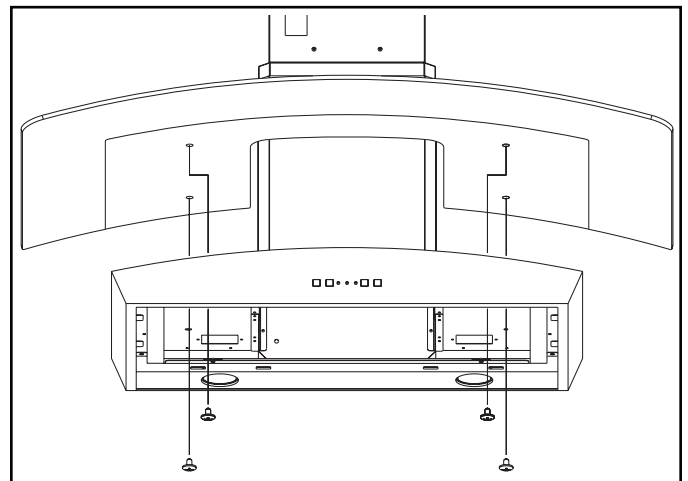
4. Remove the protective plastic film covering the decorative flue and the hood at this time.
5. Remove the grease filter by pulling down the metal latch tab and tilting filter downward to remove.



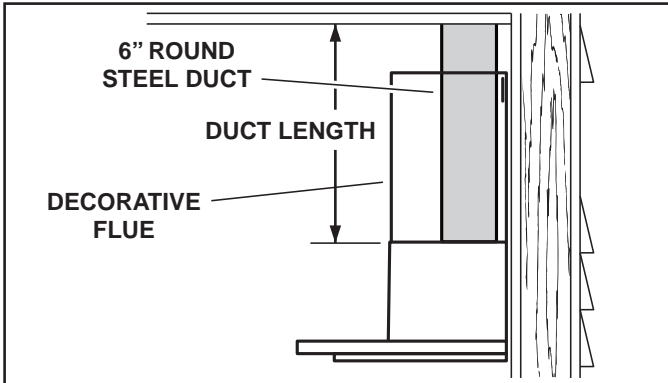
6. Align the keyhole slots on the hood with the mounting screws that were partially tightened into the wall framing. Ensure that hood is seated entirely on mounting screws, and that hood is level. Then tighten screws completely.



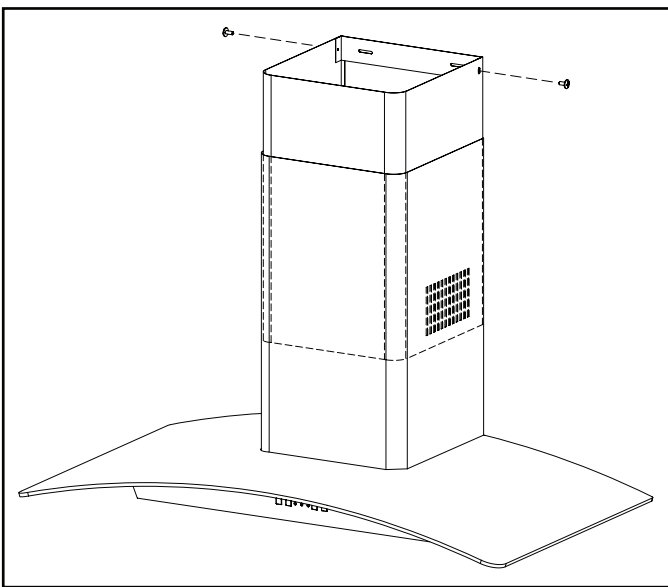
7. Install (2) 4mm x 38mm long screws into the holes inside the hood and tighten them securely.



8. Carefully place glass canopy on top of the hood. Align nuts on glass canopy with holes inside the hood. Attach canopy with (4) .188" x .250" long flat head screws. Tighten screws securely but **DO NOT OVERTIGHTEN**.
9. Reinstall grease filter by aligning side filter tab with slots in the hood. Pull down the metal latch tab, push filter into position and release. Make sure filter is securely engaged after installation.



10. Measure and install steel ductwork to hood duct connector and ductwork rough-in on ceiling or wall. Use duct tape to make all joints secure and air tight.
11. Plug power cord into wall outlet.



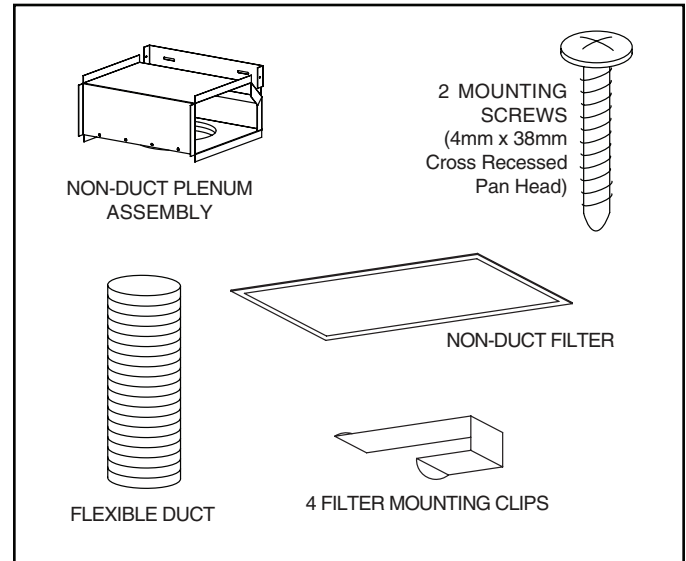
12. Slide the upper decorative flue section into the lower decorative flue section. NOTE For ducted applications, the louvers on the upper flue should be hidden by positioning the louvers down, inside of the lower flue.
13. Carefully place the upper/lower flue assembly into the recessed area of the hood.
14. Slide the upper flue upward until it is aligned with its mounting bracket. The bracket should be inside the flue. Secure the upper flue to the upper flue mounting bracket using (2) 4mm x 12mm mounting screws.

**NOTE**

9-10 ft. ceilings may require Flue Extension Model FXNE56SS depending on installation height (purchase separately). Discard the upper and lower flues supplied with your hood and replace them with Flue Extension Model FXNE56SS.

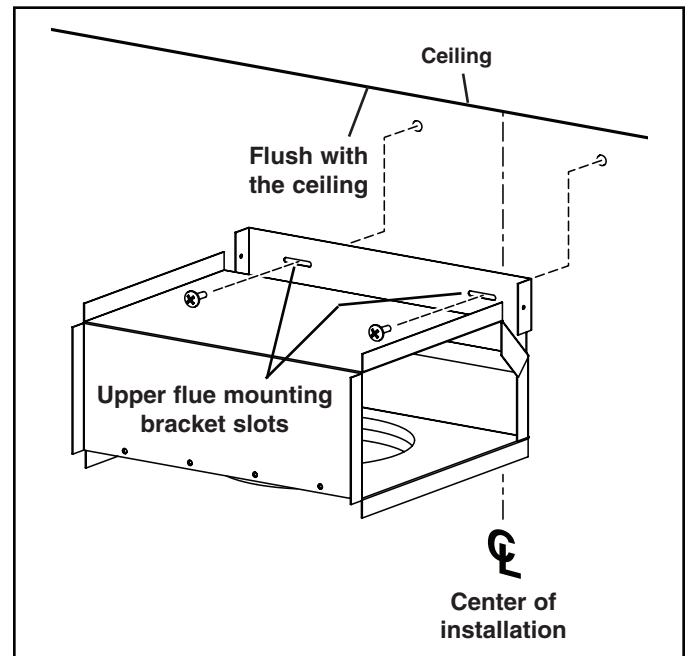
## INSTALL THE HOOD (Non-Ducted Hoods Only)

### NON-DUCT KIT MODEL RKE56 CONTENTS

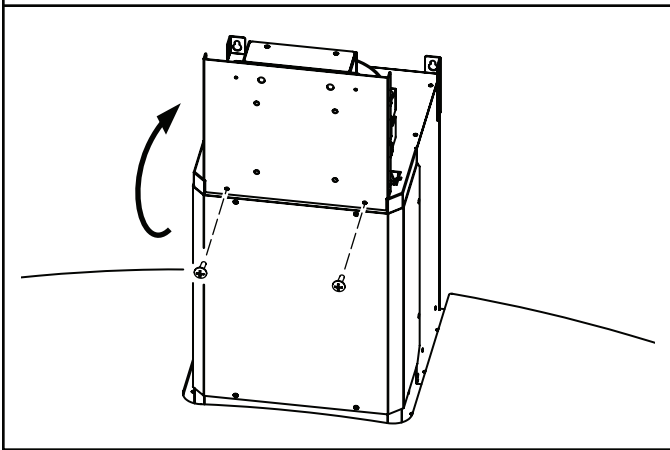
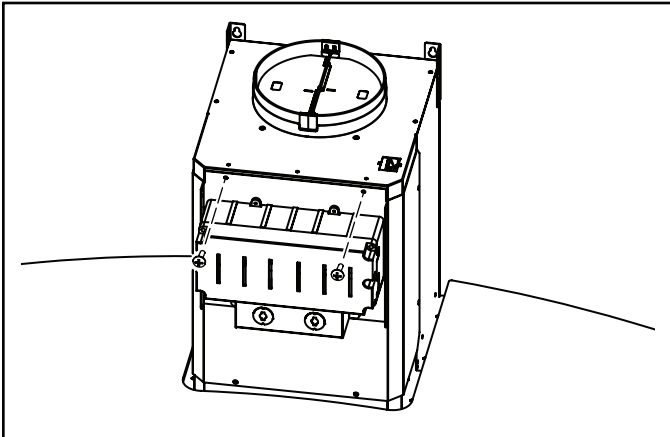


**NOTE**

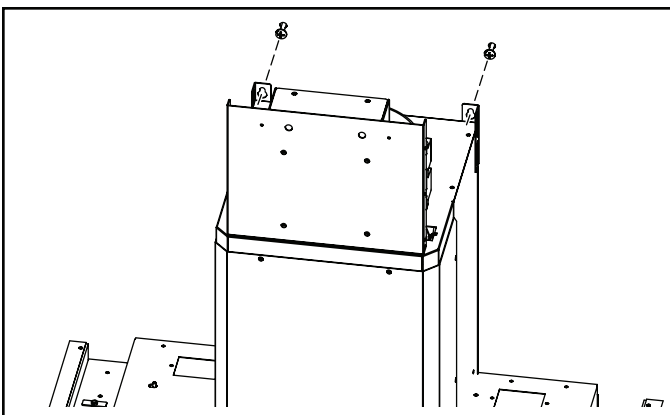
Non-ducted installations require Non-Duct Kit, Model RKE56 (purchase separately).



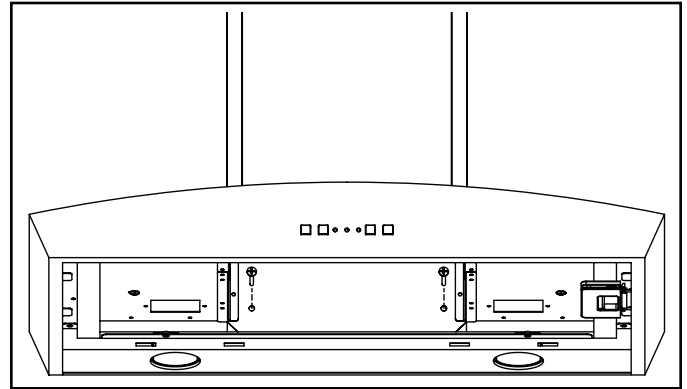
1. Center the non-duct plenum over the hood location and flush with the ceiling. Secure the non-duct plenum to the wall using (2) 4mm x 38mm mounting screws.
2. Tighten the screws completely. Make sure that the non-duct plenum is tight against the wall.
3. Remove damper flaps from damper / duct connector and discard flaps.



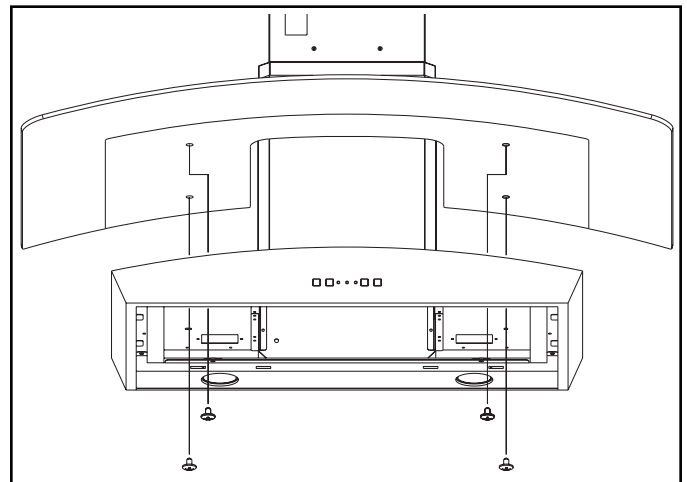
4. Remove (2) screws holding electronics mounting bracket to hood. Rotate bracket 180 degrees and re-attach bracket to hood with same (2) screws.
5. Remove the grease filter by pulling down the metal latch tab and tilting filter downward to remove.
6. Remove the protective plastic film covering the decorative flue and the hood at this time.



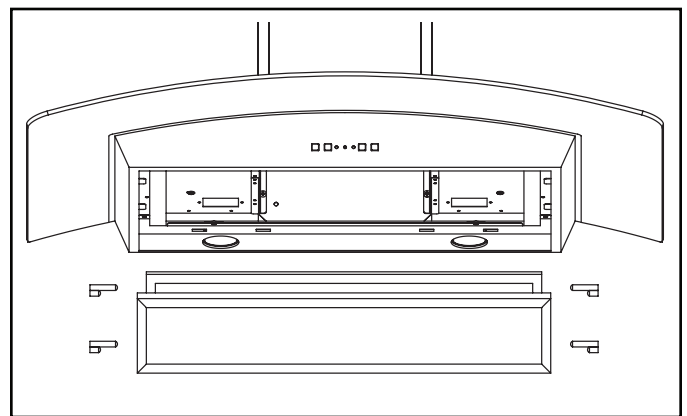
7. Align the keyhole slots on the hood with the mounting screws that were partially tightened into the wall framing. Ensure that hood is seated entirely on mounting screws and that hood is level. Then tighten screws completely.



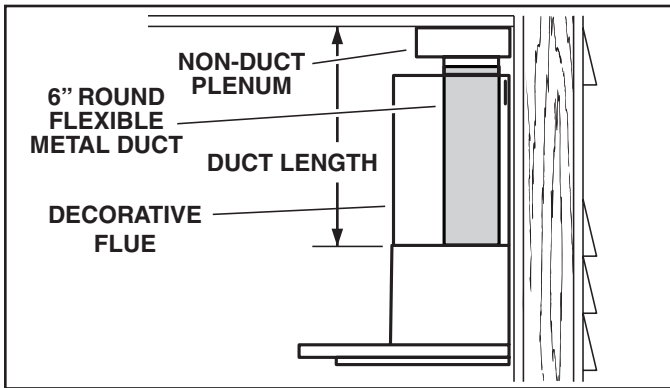
8. Install (2) 4mm x 38mm long screws into the holes inside the hood and tighten them securely.



9. Carefully place glass canopy on top of the hood. Align nuts on glass canopy with holes inside the hood. Attach canopy with (4) .188" x .250" long flat head screws. Tighten screws securely but **DO NOT OVERTIGHTEN**.



10. Attach the non-duct filter to the grease filter with (4) clips (provided).
11. Reinstall grease filter by aligning rear filter tab with slots in the hood. Pull down the metal latch tab, push filter into position and release. Make sure filter is securely engaged after installation.

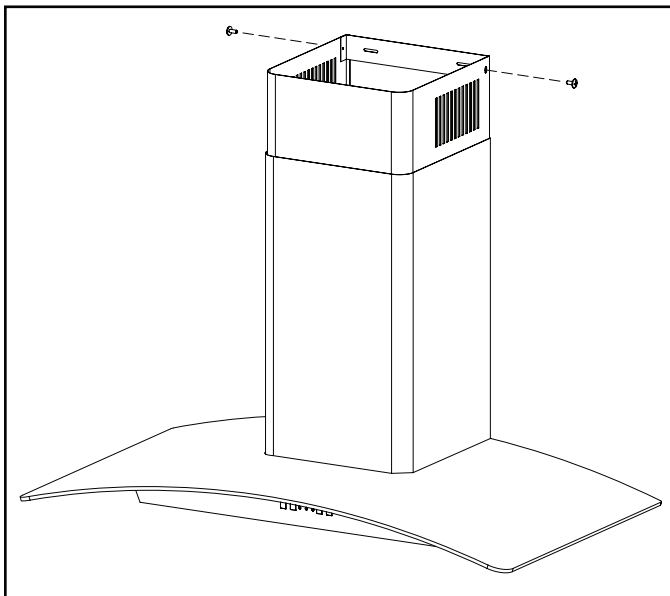


12. Measure and install section of flexible metal ductwork (included with RKE56) to hood duct connector and bottom of non-duct plenum. Use duct tape to make all joints secure and air tight.

**CAUTION**

Do not use plastic duct.

13. Plug power cord into wall outlet.



14. Slide the upper decorative flue section into the lower decorative flue section. NOTE For non-ducted applications, the upper flue should be oriented so the louvers are towards the ceiling.
15. Carefully place the upper/lower flue assembly into the recessed area of the hood.
16. Slide the upper flue upward until it is aligned with the non-duct plenum. The non-duct plenum should be inside the flue. Secure the upper flue to the non-duct plenum using (2) 4mm x 12mm mounting screws.

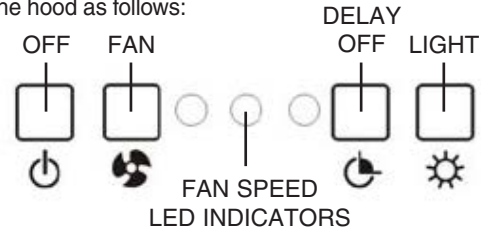
**NOTE**

9-10 ft. ceilings may require Flue Extension Model FXNE56SS depending on installation height (purchase separately). Discard the upper and lower flues supplied with your hood and replace them with Flue Extension Model FXNE56SS.

## OPERATION

Always turn the hood ON before cooking in order to establish an air flow in the kitchen. After turning off the range, let the hood run for a few minutes to clear the air.

Operate the hood as follows:



**OFF**

Turns the fan OFF

**FAN (1-Pushbutton Switch, 3-Fan Speeds)**

Turns the fan ON to the last selected speed, and activates a blue LED indicating the fan speed setting. Pressing the FAN button a second time will index the fan speed and LED indicator to the next highest setting. Pressing the FAN button when the fan is at the highest speed setting will index the fan and LED indicator to the lowest setting.

**DELAY-OFF (10 Minute Delay-Off)**

Activates the 10 minute delay off feature when the fan is ON (any speed). When activated, the blue LED indicator above the selected speed setting will blink. The hood fan will automatically turn OFF after 10 minutes has elapsed. The DELAY-OFF button can be pressed at any time during the 10 minute countdown to turn off the feature.

**LIGHT (1-Pushbutton Switch, 3-Light Intensities)**

Turns the lights ON to the lowest intensity. Pressing the LIGHT button a second time will index the light intensity to the next highest level. Pressing the LIGHT button when the lights are at the highest intensity will turn the lights off.

**FILTER CHANGE INDICATION**

After 30 hours of fan operation, the three blue LED indicators will blink simultaneously, indicating that it is time to clean the grease filters. To reset the filter clean timer, press and hold the OFF button for 3 seconds. The blinking LED indicators will turn off.

**HEAT SENTRY SYSTEM**

This range hood is equipped with a standard Heat Sentry system that monitors excessive temperature and automatically turns the fan speed on HIGH.

- 1) If the fan is ON, the Heat Sentry system will increase the fan setting to its highest speed when the temperature is elevated. The blue indicator for fan speed (3) will illuminate and blink at a high rate, indicating that the heat sentry function is activated. Once the temperature has reduced, the Heat Sentry system will change the fan speed to the original setting.
- 2) If the fan is OFF, the Heat Sentry system will automatically turn the fan on to its highest speed when the temperature is above normal. The blue indicator for fan speed (3) will illuminate and blink at a high rate, indicating that the heat sentry function is activated. After the temperature has lowered to normal, the fan will turn off.

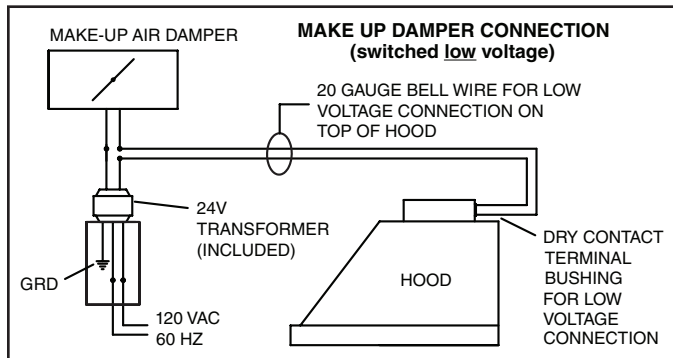
**FUSES**

The Range Hood Control Board contains a Main Fuse to protect the controls from power surges. New fuses can be purchased at a local electronic supply store. Use 5A, 250V, 5 mm diameter, 20 mm long, fast-acting, cartridge-type fuses. To replace a fuse (by qualified person(s)): 1. Disconnect power at service entrance. 2. Remove decorative flues. 3. Remove control cover. 4. Remove and inspect fuse.

### MAKE-UP AIR DAMPER

The hood is compatible with Broan Make-Up Air Damper Model MD6T or Model MD8T (optional). Purchase separately.

Make the connection to the Make-Up Air Damper with low voltage wiring, as shown. See Make-Up Air Damper instructions for additional information.



### REMOTE CONTROL

This hood is compatible with Broan Radio Frequency (RF) Remote Control Model BCR1 (optional). Purchase separately.

Conduct the following steps to link the BCR1 remote control with the hood:

1. On the hood, press and hold the LIGHT button for 3-seconds and then release it.
2. The blue LED indicators will turn on and off in succession to indicate the hood is in RF linking mode.
3. When the hood is in the linking mode, press any key on the RF remote.
4. An audible beep will be heard from the hood and the blue LED's will stop blinking, which indicates a successful hood and remote control link.
  - If the remote control did not successfully link with the hood and no further action is taken, the linking mode will deactivate after 12 seconds and the blue LED's will stop blinking sequentially.
  - Refer to the BCR1 instructions for additional information.

Conduct the following steps to erase a remote control link with the hood:

1. On the hood, press and hold the LIGHT button for 3-seconds and then release it.
2. The blue LED indicators will turn on and off in succession to indicate the hood is in RF linking mode.
3. Press and release the OFF button.
4. The blue LED indicators will turn on and off together three times to confirm the link is erased.
  - If the hood did not successfully erase the remote control link and no further action is taken, the linking mode will deactivate after 12 seconds and the LED's will stop blinking sequentially.
  - Refer to the BCR1 instructions for additional information.

## CLEANING & MAINTENANCE

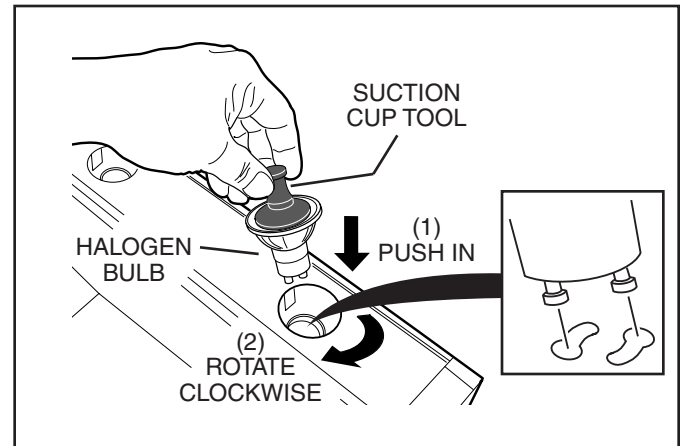
For performance, appearance, and health reasons, clean filter, fan and grease-laden surfaces. Use only a clean cloth and mild detergent solution on stainless and painted surfaces.

Clean all-metal filters in the dishwasher using a non-phosphate detergent. Discoloration of the filter may occur if using phosphate detergents, or as a result of local water conditions - but this will not affect filter performance. This discoloration is not covered by the warranty.

Clean the non-duct recirculating filter surfaces frequently with a damp cloth and a mild detergent. DO NOT immerse filters in water or put in dishwasher. Change the non-duct recirculating filters every 6 months. For replacement non-duct recirculating filters - purchase S99010365 or Model FILTERE56.

The motor is permanently lubricated and never needs oiling. If the motor bearings make excessive or unusual noise, replace the blower assembly with an exact service replacement.

### LIGHT BULBS



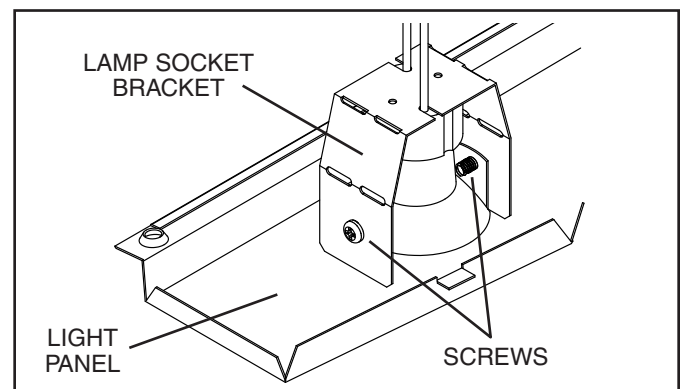
### WARNING

Bulbs may be hot. Always allow bulbs to cool down before removing them.

Use (2) Halogen Bulbs (included with hood) - 120 V, 35 W, shielded halogen bulbs - MR16 with GU10 base.

### NOTE

Suction Cup Tool (included with hood) can be used to install and remove light bulbs. Align pins on bulb with large diameter opening on socket, then push bulb in towards hood and rotate clockwise until firmly seated. The position of the bulb socket (depth) is adjustable and may require adjustment when: a) certain brands of bulbs are difficult to install. b) the bulb protrudes too far below the light panel.



To change the depth of bulb sockets:

- Remove 2 screws on light panel – set screws aside
- Remove Light Panel.
- Loosen 2 Screws holding Lamp Socket Bracket to Light Panel.
- Adjust socket/bracket to desired depth.
- Re-tighten screws securely.
- Re-attach light panel with 2 screws that were previously set aside.



## SERVICE PARTS

KEY	PART NO.	DESCRIPTION	QTY.
1	S99527442	Decorative Upper and Lower Flues	1
2	S99527443	Motor / Blower Assembly	1
3	S99527444	Light Socket (includes mounting hardware)	2
4	S99527445	Light Socket Bracket (includes mounting hardware)	2
5	S99527446	User Interface Assembly	1
6	S99527447	User Interface Cable	1
7	S99527449	Control Board	1
8	S99527450	Control Enclosure	1
9	S99527451	Light Panel	1
10	S99010367	Aluminum Grease Filter	1
11	S99010381	Non-Duct Recirculation Filter (includes 4 mounting clips)	1
12	S99527455	Curved Glass Plate (EW5630SS)	1
	S99527456	Curved Glass Plate (EW5636SS)	1
13	S99527461	Damper Assembly	1
14	S99527462	6" Dia. Expandable Flexible Aluminum Duct	1
15	S99527463	Non-Duct Plenum Assembly	1
16	S99527466	Upper Flue Mounting Bracket	1
17	S99526798	35W MR16 GU10 Halogen Lamp	2
18	S99527468	Capacitor	1
*	S99527470	Heat Sensor	1
*	S99527471	Fuse	1
*	S99527472	Parts Bag	1
*	S99527481	User Interface Button, 4-pack	4

\* Not shown

