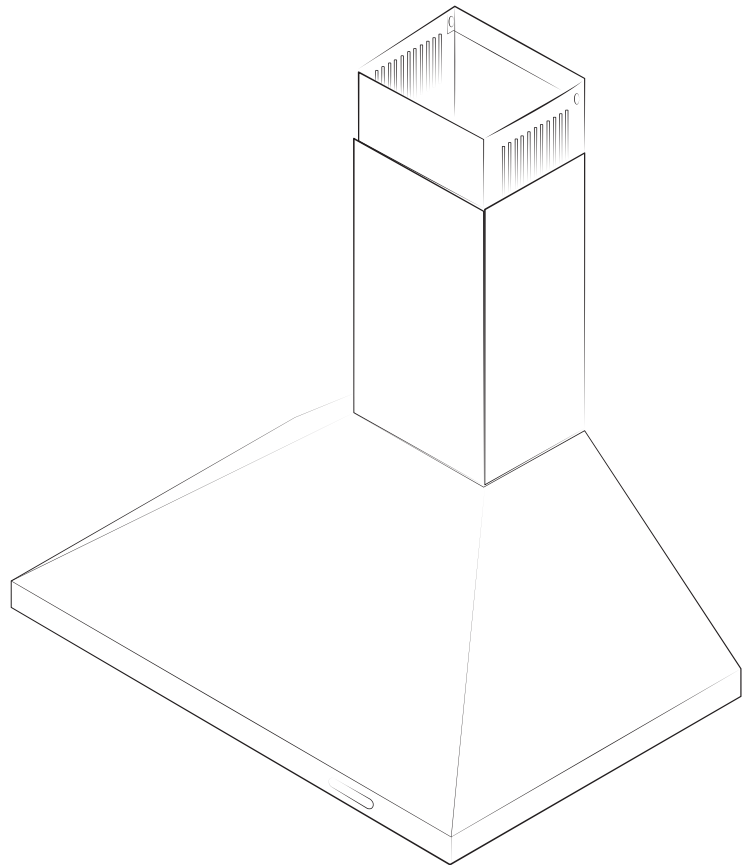


Elite
®
BROAN

CHIMNEY RANGE HOOD

EW48 Series

INSTALLATION, USE
AND CARE MANUAL



⚠ INTENDED FOR DOMESTIC COOKING ONLY ⚠

READ AND SAVE THESE INSTRUCTIONS

INSTALLER: LEAVE THIS MANUAL WITH HOMEOWNER.
HOMEOWNER: USE AND CARE INFORMATION ON PAGE 10.

⚠ WARNING

TO REDUCE THE RISK OF FIRE, ELECTRIC SHOCK OR INJURY TO PERSONS, OBSERVE THE FOLLOWING:

1. Use this unit only in the manner intended by the manufacturer. If you have questions, contact the manufacturer at the address or telephone number listed in the warranty.
2. Before servicing or cleaning unit, switch power off at service panel and lock service disconnecting means to prevent power from being switched on accidentally. When the service disconnecting means cannot be locked, securely fasten a prominent warning device, such as a tag, to the service panel.
3. Installation work and electrical wiring must be done by qualified personnel in accordance with all applicable codes and standards, including fire-rated construction codes and standards.
4. Sufficient air is needed for proper combustion and exhausting of gases through the flue (chimney) of fuel burning equipment to prevent backdrafting. Follow the heating equipment manufacturer's guidelines and safety standards such as those published by the National Fire Protection Association (NFPA) and the American Society for Heating, Refrigeration and Air Conditioning Engineers (ASHRAE) and the local code authorities.
5. When cutting or drilling into wall or ceiling, do not damage electrical wiring and other hidden utilities.
6. Ducted fans must always be vented to the outdoors.
7. Do not use this unit with any solid-state speed control device.
8. To reduce the risk of fire, use only metal ductwork.
9. This unit must be grounded.
10. When applicable local regulations comprise more restrictive installation and/or certification requirements, the aforementioned requirements prevail on those of this document and the installer agrees to conform to these at his own expense.

TO REDUCE THE RISK OF A RANGE TOP GREASE FIRE:

- a) Never leave surface units unattended at high settings. Boilovers cause smoking and greasy spillovers that may ignite. Heat oils slowly on low or medium settings.
- b) Always turn hood ON when cooking at high heat or when flambeing food (i.e.: Crêpes Suzette, Cherries Jubilee, Peppercorn Beef Flambé).
- c) Clean ventilating fans frequently. Grease should not be allowed to accumulate on fan, filters or in exhaust ducts.
- d) Use proper pan size. Always use cookware appropriate for the size of the surface element.

⚠ WARNING

TO REDUCE THE RISK OF INJURY TO PERSONS IN THE EVENT OF A RANGE TOP GREASE FIRE, OBSERVE THE FOLLOWING*:

1. SMOTHER FLAMES with a close-fitting lid, cookie sheet or metal tray, then turn off the burner. BE CAREFUL TO PREVENT BURNS. IF THE FLAMES DO NOT GO OUT IMMEDIATELY, EVACUATE AND CALL THE FIRE DEPARTMENT.
2. NEVER PICK UP A FLAMING PAN — You may be burned.
3. DO NOT USE WATER, including wet dishcloths or towels — This could cause a violent steam explosion.
4. Use an extinguisher ONLY if:
 - A. You own a Class ABC extinguisher and you know how to operate it.
 - B. The fire is small and contained in the area where it started.
 - C. The fire department has been called.
 - D. You can fight the fire with your back to an exit.

* Based on "Kitchen Fire Safety Tips" published by NFPA.

CAUTION

1. For indoor use only.
2. For general ventilating use only. Do not use to exhaust hazardous or explosive materials and vapors.
3. To avoid motor bearing damage and noisy and/or unbalanced impeller, keep drywall spray, construction dust, etc. off power unit.
4. Your hood motor has a thermal overload which will automatically shut off the motor if it becomes overheated. The motor will restart when it cools down. If the motor continues to shut off and restart, have the hood serviced.
5. The minimum hood distance above cooktop must not be less than 24". For best capture of cooking impurities, the bottom of the hood should be at a maximum of 30" above cooking surface.
6. Two installers are recommended because of the large size and weight of this unit.
7. To reduce the risk of fire and to properly exhaust air, be sure to duct air outside — Do not exhaust air into spaces within walls or ceiling or into attics, crawl space or garage.
8. Because of the high exhausting capacity of this unit, you should make sure enough air is entering the house to replace exhausted air by opening a window close to or in the kitchen.
9. To reduce the risk of fire and electrical shock, the Broan Elite EW48 Series models should only be installed with their own built-in blower.
10. When used in recirculation mode, to reduce the risk of fire and shock, use only conversion kit model ARKEW48.
11. Please read specification label on product for further information and requirements.

TABLE OF CONTENTS

1. PREPARE INSTALLATION	3	9. DUCT CONNECTION	7
2. SELECT INSTALLATION TYPE	3	10. PREPARE THE DECORATIVE FLUE	8
3. BUILD FRAMEWORK	4	11. INSTALL THE DECORATIVE FLUE	8-9
4. INSTALL UPPER FLUE MOUNTING BRACKET (DUCTED INSTALLATION ONLY)	4	12. REINSTALL GREASE FILTER(S)	9
5. INSTALL PLENUM (NON-DUCTED INSTALLATION ONLY)	4	13. OPERATION	10
6. REMOVE GREASE FILTER(S)	5	14. CARE	10
7. INSTALL THE HOOD	5	15. REPLACEMENT PARTS	11
8. CONNECT WIRING	6		

1. PREPARE INSTALLATION

NOTE: Before proceeding to the installation, check the contents of the box. If items are missing or damaged, contact the retailer.

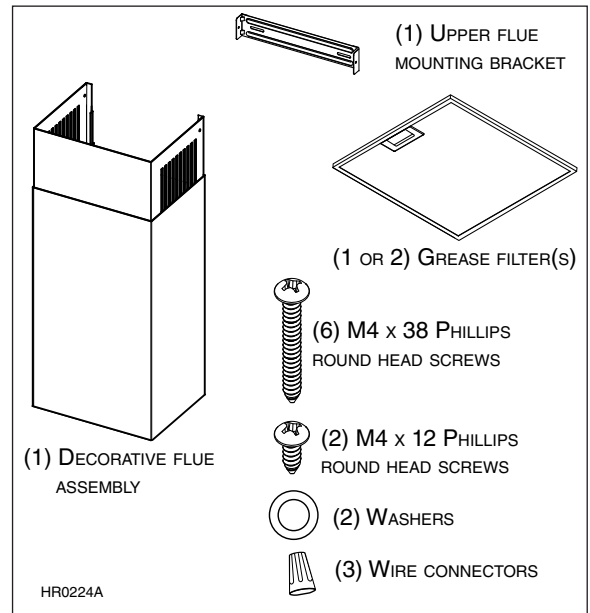
Make sure that the following items are included:

- Hood
- Decorative flue assembly (lower and upper flues)
- Upper flue mounting bracket
- Aluminum grease filter(s) (1 for 24-in. width hood, 2 for 30-in. and 36-in. width hoods)
- Installation instructions
- Parts bag: 6 M4 x 38 Phillips 9 mm round head mounting screws, 2 M4 x 12 Phillips 9 mm round head screws, 2 washers and 3 wire connectors

Parts sold separately:

- Ducts, elbows, wall and roof caps.
- Optional flue extension for ceilings of 9 ft. or more: models AEEW48SS (stainless steel), AEEW48BLS (black stainless steel) or AEEW48WH (white).
- Non-duct kit model ARKEW48, mandatory for non-ducted installation.

NOTE: During installation, protect countertop and/or cooktop.



2. SELECT INSTALLATION TYPE

⚠ WARNING

When performing installation, servicing or cleaning the unit, it is recommended to wear safety glasses and gloves.

2.1 NON-DUCTED INSTALLATION

The ARKEW48 non-duct kit is required for a non-ducted installation.

2.2 DUCTED INSTALLATION

Plan where and how the ductwork will be installed.

A straight, short duct run will allow the hood to perform most efficiently. Long duct runs, elbows and transitions will reduce the performance of the hood. Use as few of them as possible. Larger ducting may be required for longer duct runs.

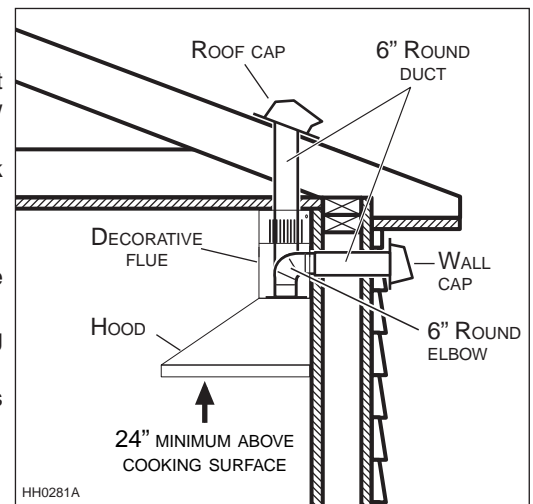
Install wall or roof cap. Connect 6" round metal ductwork to cap and work back towards the hood location. Use 2" metal foil duct tape to seal the joints.

2.3 ALL INSTALLATIONS

The minimum hood distance above cooktop is 24". A maximum of 30" above cooktop is recommended for best capture of cooking impurities.

Distances over 30" are at the installer and users discretion providing that ceiling height and decorative flue length allow it.

NOTE: Ceilings of 9 ft. or more require flue extension model AEEW48SS (stainless steel), AEEW48BLS (black stainless steel) or AEEW48WH (white).



3. BUILD FRAMEWORK

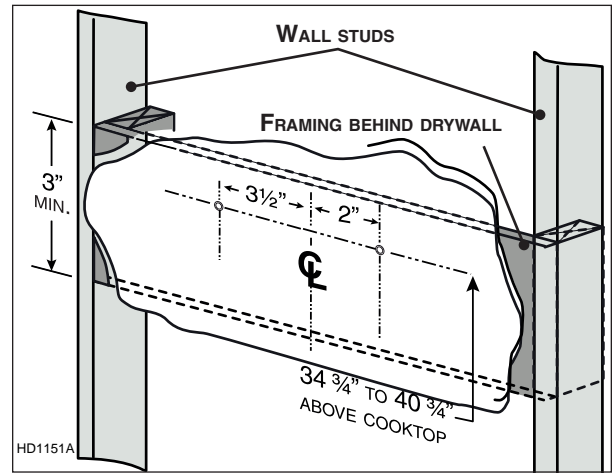
⚠ WARNING

- When cutting or drilling into wall, do not damage electrical wiring and other hidden utilities.
- When building framework, always follow all applicable construction codes and standards.

Construct wood wall framing that is even with the surface of wall studs. Wood wall framing must be at least 1/2" thick and 3" high. Fasten wood wall framing to wall studs for a solid installation.

Make sure that the height of the framing will allow the retaining screws to be secured to the framing within the dimensions shown.

After wall surface is finished, using a level, draw a vertical line up to the ceiling starting from the center of the planned hood location. Measure and mark the retaining screw locations using the measurements given in illustration at right. Insert 2 M4 x 38 Phillips 9 mm round head mounting screws in wall framing; do not completely tighten the screws at this time.

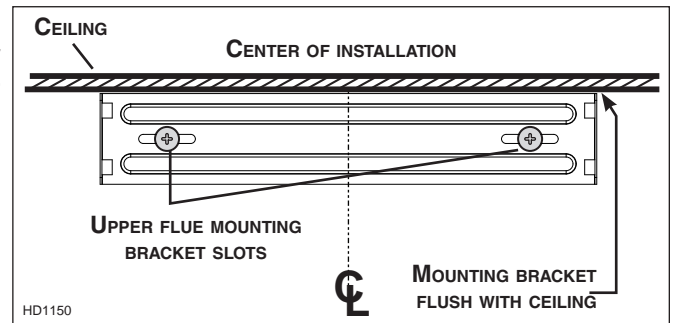


$34 \frac{3}{4}''$ = BOTTOM OF HOOD $24''$ ABOVE COOKTOP
 $40 \frac{3}{4}''$ = BOTTOM OF HOOD $30''$ ABOVE COOKTOP

4. INSTALL UPPER FLUE MOUNTING BRACKET (DUCTED INSTALLATION ONLY)

Center the upper flue mounting bracket with the center line previously drawn in step 3 and place it flush with the ceiling. Use the upper flue mounting bracket as a template to mark the position of its screws.

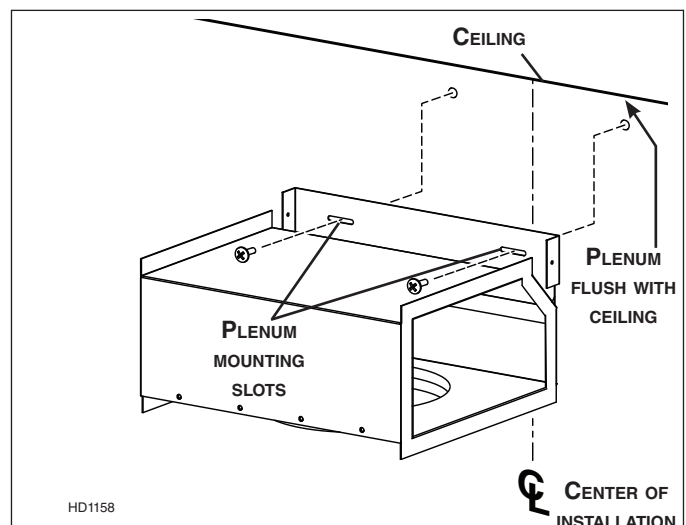
Secure the upper flue mounting bracket to the wall using 2 M4 x 38 Phillips 9 mm round head mounting screws. Make sure that the bracket is tight against the wall.



5. INSTALL PLENUM (NON-DUCTED INSTALLATION ONLY)

Center the plenum with the center line previously drawn in step 3 and place it flush with the ceiling. Use the plenum mounting slots as a template to mark the position of its screws.

Secure the plenum to the wall using 2 M4 x 38 Phillips 9 mm round head mounting screws. Make sure that the plenum is tight against the wall.

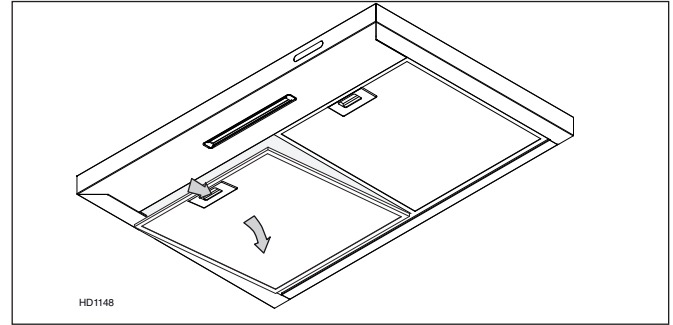


6. REMOVE GREASE FILTER(S)

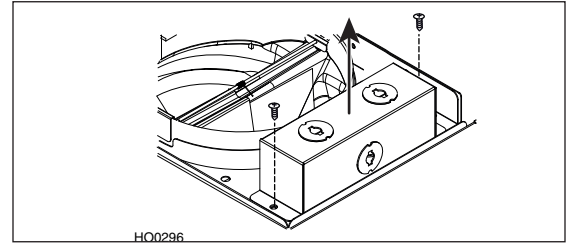
Lay the back side of the hood flat on a table. Use a piece of cardboard to avoid damaging the table or the hood.

To remove the grease filter(s), pull down on the metal latch tab and tilt each filter downward. Set filters aside.

NOTE: There is only one filter on 24-in. width hoods.



Detach the junction box cover from the top of the hood by removing both retaining screws. Set aside the cover and the screws.

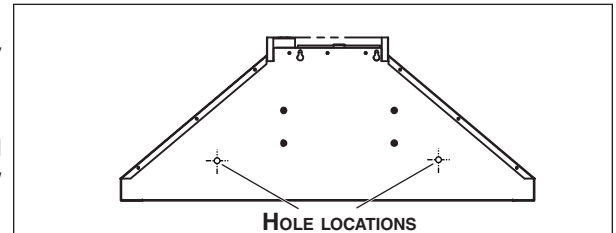


7. INSTALL THE HOOD

⚠ WARNING

BE CAREFUL when installing the decorative flue and hood, they may have sharp edges.

1. Align the hood with the center line previously marked on the wall. Gently lower the hood until it securely engages the screws on the wall.
2. Level the hood and completely tighten the screws on the wall.
3. Secure the hood to the wall by inserting 2 M4 x 38 Phillips 9 mm round head mounting screws and 2 washers in the lower back of the hood (see back view at right). Tighten both screws completely.

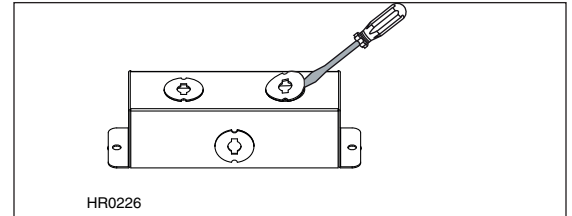


8. CONNECT WIRING

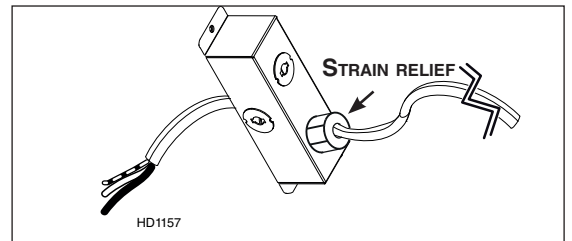
⚠ WARNING

Risk of electric shock. Electrical wiring must be done by qualified personnel in accordance with all applicable codes and standards. Before connecting wires, switch power off at service panel and lock service disconnecting means to prevent power to be switched on accidentally.

Remove a knockout from the junction box cover top previously set aside.

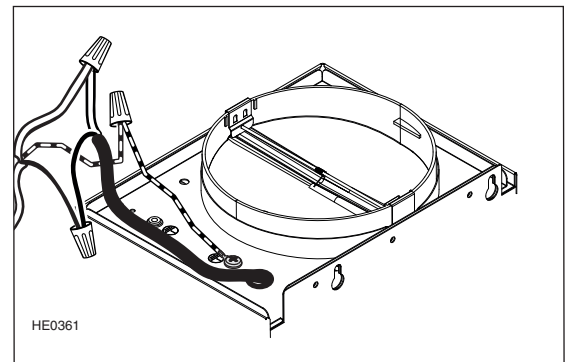


Install a UL approved strain relief (not included) on the house power cable at 4" from the cable end. Run the power cable in the junction box cover opening, then use the strain relief to secure the house power cable to the junction box cover.



Connect power cable to range hood wiring using included wire connectors. Connect BLACK to BLACK, WHITE to WHITE and GREEN or BARE WIRE to GREEN. **DO NOT FORGET TO CONNECT THE GROUND.**

Reinstall the junction box cover. Make sure all wires are inside the junction box cover.



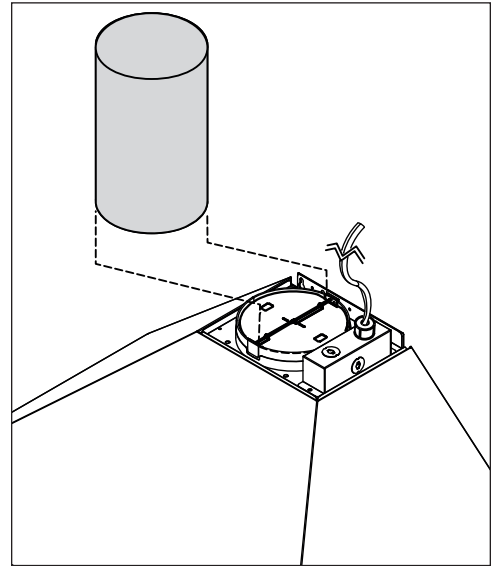
CAUTION

Make sure not to pinch any wire when reinstalling the junction box cover.

9. DUCT CONNECTION

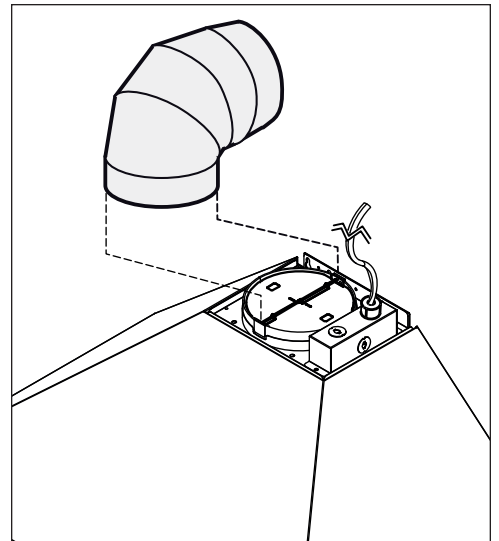
VERTICALLY DUCTED INSTALLATION:

Slide a 6" round metal duct section over the adapter/damper on the hood up to the roof cap. Use metal foil duct tape to seal the joint.



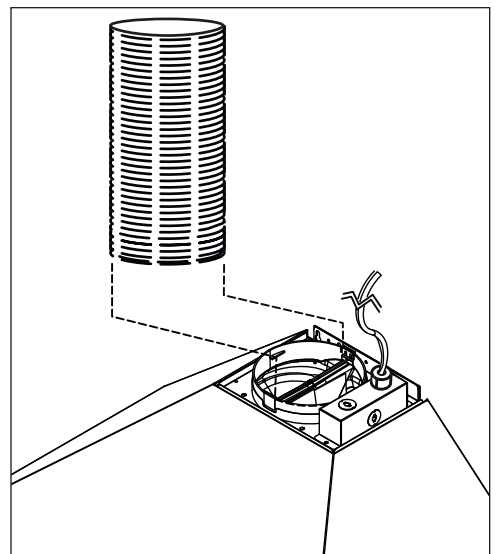
HORIZONTALLY DUCTED INSTALLATION:

Measure and install 6" round metal ductwork to wall cap and 90° elbow over duct collar then install the 90° elbow over the adapter/damper on the hood. Use metal foil duct tape to seal the joints.



NON-DUCTED INSTALLATION:

Remove the damper flaps. Measure the length of 6" round flexible duct (included in the non-duct kit) required from the top of the hood to the plenum. Slide the 6" round flexible metal duct over the adapter on the hood. Use metal foil duct tape to seal the joint.



10. PREPARE THE DECORATIVE FLUE

CAUTION

DO NOT REMOVE the protective plastic film covering the upper flue yet.

NOTE: Both lower and upper flues are included with the hood, but for ceilings of 9 ft. or more, discard the provided lower and upper flues and use the optional flue extension, part no. AEEW48SS (stainless steel), AEEW48BLS (black stainless steel) or AEEW48WH (white) (sold separately).

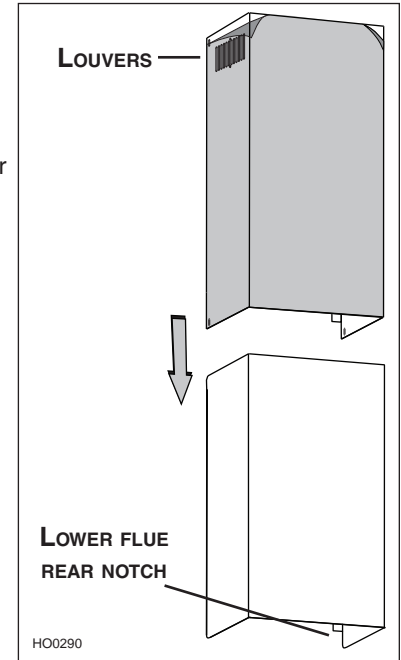
Remove the upper flue from inside the lower flue. Remove protective plastic film covering the lower flue only.

Peel off both corners at the top of the upper flue.

NOTE: For non-ducted installation only, remove enough plastic film to clear the louvers.

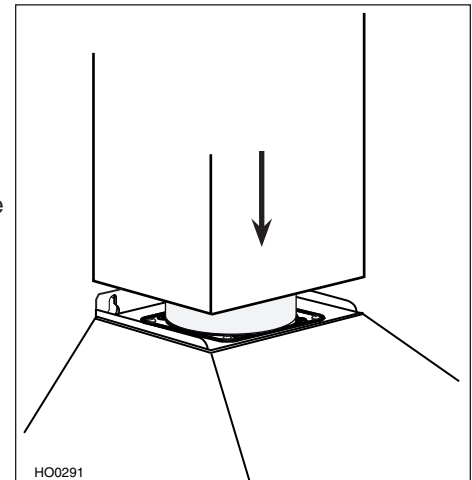
Gently slide upper flue inside lower flue, louvers end up.

NOTE: Upper flue can be reversed to hide louvers in some applications depending on installation heights.



11. INSTALL THE DECORATIVE FLUE

Carefully slide in place decorative flue base (notches end first) in the groove on the top of the hood.

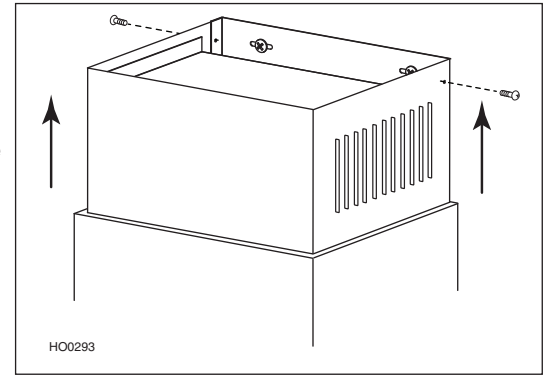


11. INSTALL THE DECORATIVE FLUE (CONTINUED)

NON-DUCTED INSTALLATION:

Slide up the upper flue until it is aligned with the plenum. Secure the upper flue to the plenum using 2 M4 x 12 Phillips 9 mm round head screws.

Remove protective plastic film covering the upper flue and the hood.

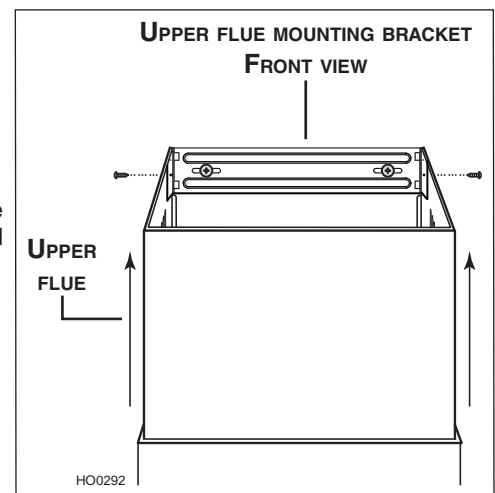


DUCTED INSTALLATION:

Slide up the upper flue until it is aligned with its mounting bracket. The bracket must be inside the flue. Secure the upper flue to its bracket using 2 M4 x 12 Phillips 9 mm round head screws.

NOTE: Duct not shown in illustration to ease understanding.

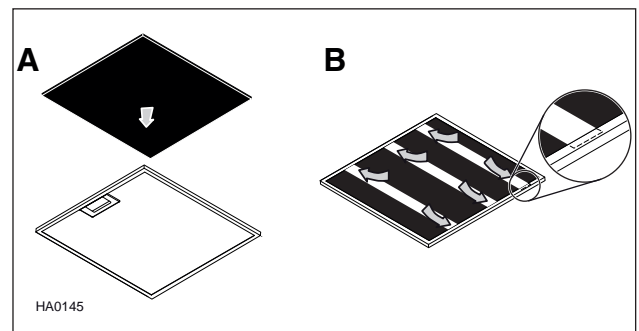
Remove protective plastic film covering the upper flue and the hood.



12. REINSTALL GREASE FILTER(S)

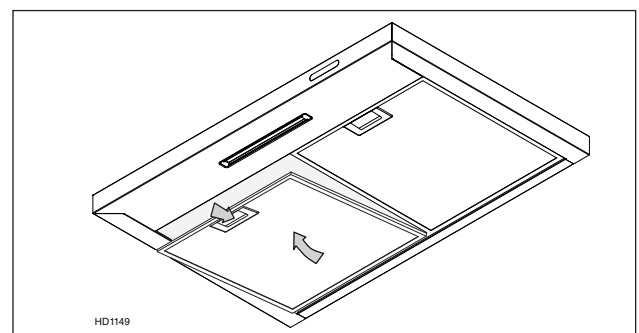
NON-DUCTED INSTALLATION:

Install a charcoal filter on each aluminum grease filter back (A). Hold the charcoal filter in place by inserting both ends of the 3 metal strips in each aluminum grease filter frame (B).



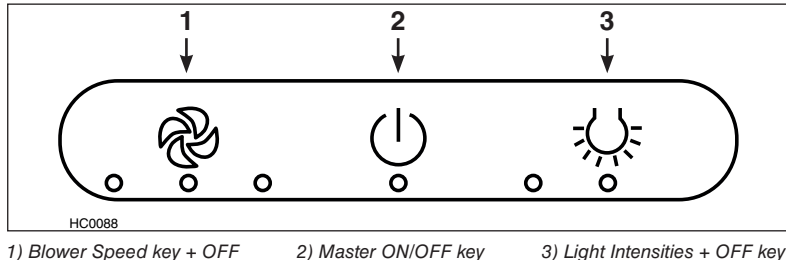
ALL INSTALLATIONS:

To reinstall the grease filters, align rear filter tabs with slots in the hood. Pull down the metal latch tab, push each filter into position and release. Make sure filters are securely engaged after installation.



13. OPERATION

Always turn your hood on before you begin cooking to establish an air flow in the kitchen. Let the blower run for a few minutes to clear the air after you turn off the range. This will help keep the whole kitchen cleaner and brighter.



1. BLOWER ON/SPEED INCREASE KEY (DOUBLE FUNCTION KEY):

Press the Blower ON/Speed increase push button to activate the blower at low speed. Press twice for medium speed and once more for high speed. The LED indicator below the key will light according to the speed level chosen (one LED = low speed, 2 LEDs = medium speed, 3 LEDs = high speed). Press once more to turn OFF the blower; the LED indicators will then shut off.

2. MASTER ON/OFF KEY

When blower and light are ON, press the Master ON/OFF to turn OFF both blower and light. When blower and light are OFF, press this key to turn ON the blower to the previous speed setting and turn ON the light at the previous light intensity.

3. LIGHT INTENSITIES + OFF KEY:

Press this key once to turn ON the light on low intensity, one LED indicator will light. Press once more to turn the light on high intensity (both LED indicators will light). Press another time to turn OFF the light (both LED indicators will then shut off).

14. CARE

Grease Filter(s)

Grease filter(s) should be cleaned frequently. Use a warm dishwashing detergent solution to clean the filter(s). Grease filter(s) are dishwasher safe.

Clean all-metal filters in the dishwasher using a non-phosphate detergent. Discoloration of the filters may occur if using phosphate detergents, or as a result of local water conditions - but this will not affect filter performance. This discoloration is not covered by the warranty. To minimize or prevent discoloration, hand wash filters using a mild detergent.

Non-ducted Filters

Change the non-duct recirculation filters every 6 months. Purchase S99010473 for 24-in and 30-in range hoods or S99010474 for 36-in range hoods.

Hood Cleaning

Stainless Steel Cleaning:

Do:	Don't:
<ul style="list-style-type: none">Regularly wash with clean cloth or rag soaked with warm water and mild soap or liquid dish detergent.Always clean in the direction of original polish lines.Always rinse well with clear water (2 or 3 times) after cleaning. Wipe dry completely.You may also use a specialized household stainless steel cleaner.	<ul style="list-style-type: none">Use any steel or stainless steel wool or any other scrapers to remove stubborn dirt.Use any harsh or abrasive cleansers.Allow dirt to accumulate.Let plaster dust or any other construction residues reach the hood. During construction/renovation, cover the hood to make sure no dust sticks to stainless steel surface.

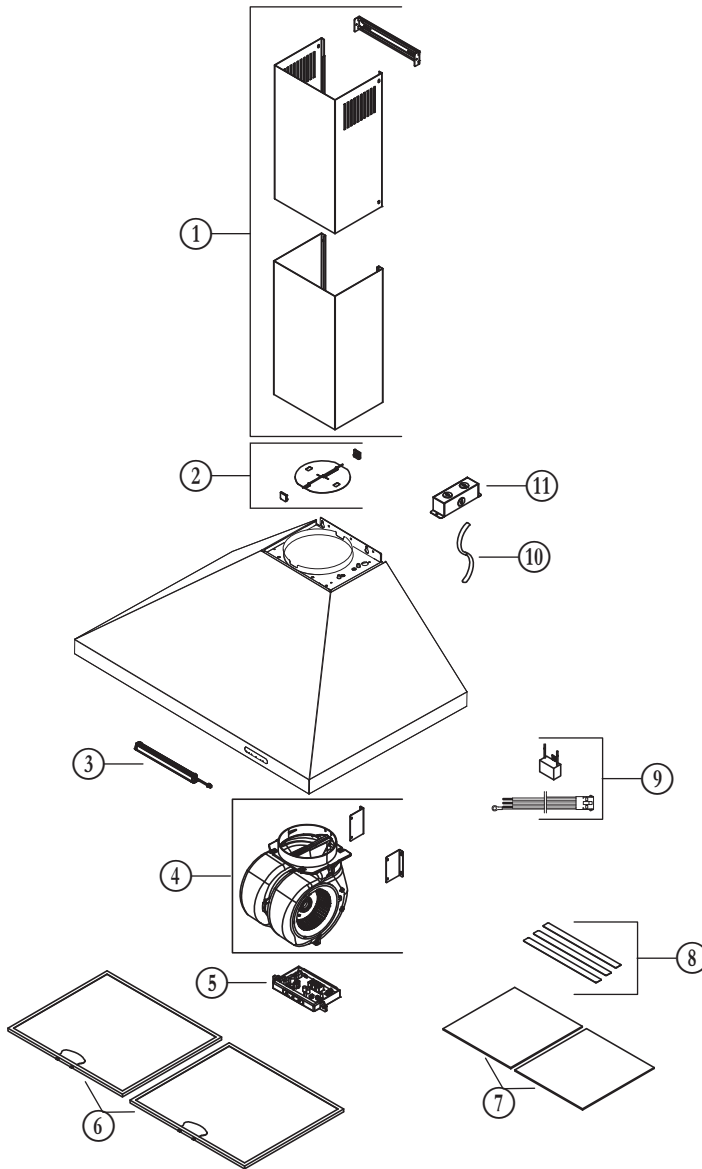
Avoid when choosing a detergent:

- Any cleaners that contain **bleach** will attack stainless steel.
- Any products containing: **chloride, fluoride, iodide, bromide** will deteriorate surfaces rapidly.
- Any combustible products used for cleaning such as **acetone, alcohol, ether, benzol**, etc., are highly explosive and should never be used close to a range.

Painted finish cleaning:

Clean with warm water and mild detergent only. If discoloration occurs, use a finish polish such as automotive polish. (DO NOT use rough abrasive cleaner or porcelain cleaner.)

15. REPLACEMENT PARTS



REPLACEMENT PARTS AND REPAIRS

In order to ensure your unit remains in good working condition, you must use Broan-NuTone LLC or Venmar Ventilation ULC genuine replacement parts only. Broan-NuTone LLC or Venmar Ventilation ULC genuine replacement parts are specially designed for each unit and are manufactured to comply with all the applicable certification standards and maintain a high standard of safety. Any third party replacement part used may cause serious damage and drastically reduce the performance level of your unit, which will result in premature failing. Broan-NuTone LLC and Venmar Ventilation ULC recommend to contact a certified service depot for all replacement parts and repairs.

HL0455

KEY NO.	PART NO.	DESCRIPTION	24"	30"	36"
1	S97021438	DECORATIVE UPPER AND LOWER FLUES (STAINLESS STEEL) WITH BRACKET	1	1	1
	S97021439	DECORATIVE UPPER AND LOWER FLUES (WHITE)		1	
	S97021440	DECORATIVE UPPER AND LOWER FLUES (BLACK STAINLESS STEEL)		1	1
2	S99527461	DAMPER ASSEMBLY	1	1	1
3	S99010479	LED MODULE	1	1	1
4	S97021444	MOTOR AND BLOWER ASSEMBLY	1	1	1
5	S97021443	ELECTRONIC BOARD	1	1	1
6	S99010476	ALUMINUM GREASE FILTERS (SET OF 2)	1	1	
	S99010477	ALUMINUM GREASE FILTERS (SET OF 2)			1
7	S99010473	NON-DUCT RECIRCULATION FILTERS (SET OF 2) (METAL STRIPS NOT INCLUDED)	1	1	
	S99010474	NON-DUCT RECIRCULATION FILTERS (SET OF 2) (METAL STRIPS NOT INCLUDED)			1
8	S99010480	METAL STRIPS FOR NON-DUCT RECIRCULATION FILTERS S99010473 (SET OF 3)	1	2	
	S99010481	METAL STRIPS FOR NON-DUCT RECIRCULATION FILTERS S99010474 (SET OF 3)			2
9	S99271686	CAPACITOR AND MAIN HARNESS ASSEMBLY	1	1	1
10	S99271684	POWER CABLE	1	1	1
11	S99840026	JUNCTION BOX	1	1	1
*	S99064948	FILTER FILLER (SET OF 2)	1		
*	S97021436	PARTS BAG INCLUDING: 6 M4 x 38 PHILLIPS 9 MM ROUND HEAD MOUNTING SCREWS, 2 M4 x 12 PHILLIPS 9 MM ROUND HEAD SCREWS, 2 WASHERS, 3 WIRE CONNECTORS AND 1 UPPER FLUE MOUNTING BRACKET	1	1	1

* NOT SHOWN.