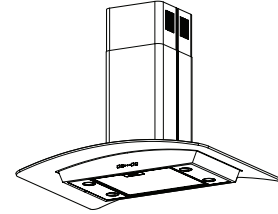


Chimney Island Range Hood



READ AND SAVE THESE INSTRUCTIONS

FOR DOMESTIC COOKING ONLY

WARNING

TO REDUCE THE RISK OF FIRE, ELECTRIC SHOCK, OR INJURY TO PERSON(S) OBSERVE THE FOLLOWING:

1. Use this unit only in the manner intended by the manufacturer. If you have questions, contact the manufacturer at the address or telephone number listed in the warranty.
2. Before servicing or cleaning unit, switch power off at service panel and lock service disconnecting means to prevent power from being switched on accidentally. When the service disconnecting means cannot be locked, securely fasten a prominent warning device, such as a tag, to the service panel.
3. Installation work and electrical wiring must be done by qualified personnel in accordance with all applicable codes and standards, including fire-rated construction codes and standards.
4. Sufficient air is needed for proper combustion and exhausting of gases through the flue (chimney) of fuel burning equipment to prevent back drafting. Follow the heating equipment manufacturer's guideline and safety standards such as those published by the National Fire Protection Association (NFPA), and the American Society for Heating, Refrigeration and Air Conditioning Engineers (ASHRAE), and the local code authorities.
5. This product may have sharp edges. Be careful to avoid cuts and abrasions during installation and cleaning.
6. When cutting or drilling into wall or ceiling, do not damage electrical wiring and other hidden utilities.
7. Ducted fans must always be vented to the outdoors.
8. Use only metal ductwork.
9. Do not use this unit with any other solid-state speed control device.
10. This unit must be grounded.

TO REDUCE THE RISK OF A RANGE TOP GREASE FIRE:

- a) Never leave surface units unattended at high settings. Boilovers cause smoking and greasy spillovers that may ignite. Heat oils slowly on low or medium settings.
- b) Always turn hood ON when cooking at high heat or when flambéing food (i.e. Crêpes Suzette, Cherries Jubilee, Peppercorn Beef Flambé).
- c) Clean ventilating fans frequently. Grease should not be allowed to accumulate on fan or filters.
- d) Use proper pan size. Always use cookware appropriate for the size of the surface element.

TO REDUCE THE RISK OF INJURY TO PERSON(S) IN THE EVENT OF A RANGE TOP GREASE FIRE, OBSERVE THE FOLLOWING*:

1. SMOTHER FLAMES with a close-fitting lid, cookie sheet, or metal tray, then turn off the burner. BE CAREFUL TO PREVENT BURNS. IF THE FLAMES DO NOT GO OUT IMMEDIATELY, EVACUATE AND CALL THE FIRE DEPARTMENT.

WARNING

2. NEVER PICK UP A FLAMING PAN – You may be burned.
3. DO NOT USE WATER, including wet dishcloths or towels – a violent steam explosion will result.
4. Use an extinguisher ONLY if:
 - A. You know you have a Class ABC extinguisher, and you know how to operate it.
 - B. The fire is small and contained in the area where it started.
 - C. The fire department is being called.
 - D. You can fight the fire with your back to an exit.

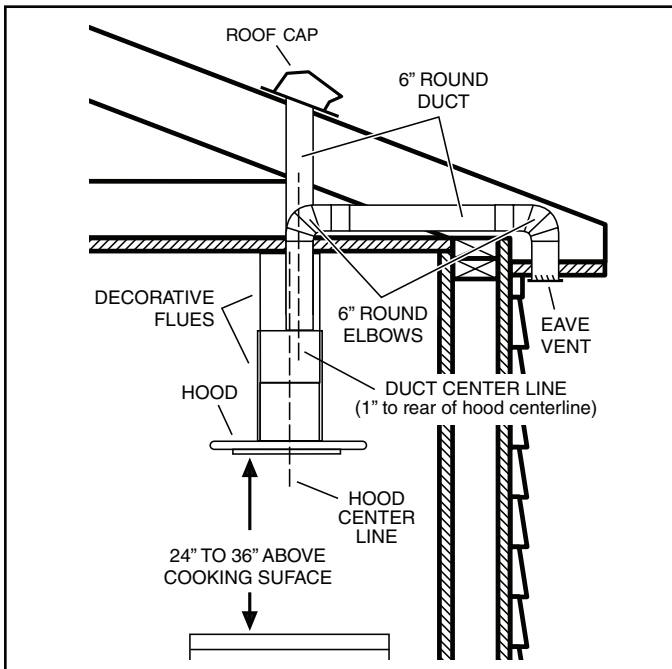
* Based on "Kitchen Fire Safety Tips" published by NFPA

CAUTION

1. For indoor use only.
2. For general ventilating use only. Do not use to exhaust hazardous or explosive materials and vapors.
3. To avoid motor bearing damage and noisy and/or unbalanced impeller, keep drywall spray, construction dust, etc. off power unit.
4. Your hood motor has a thermal overload which will automatically shut off the motor if it becomes overheated. The motor will restart when it will cool down. If the motor continues to shut off and restart, have the hood serviced.
5. The bottom of the hood MUST NOT BE LESS than 24" and recommended at a maximum of 36" above cooktop for best capture of cooking impurities.
6. Two installers are recommended because of the size of this hood.
7. To reduce risk of fire and to properly exhaust air, be sure to duct air outside. Do not exhaust air into spaces within walls or ceilings or into attics, crawl spaces, or garages.
8. Be careful when installing the decorative flue and hood, they may have sharp edges.
9. This hood is not intended to be used as a shelf.
10. Please read specification label on product for further information and requirements.

**Installer: Leave this manual
with the homeowner.
Homeowner: Operation and Maintenance
instructions on pages 8 & 9.**

PLAN THE INSTALLATION



The minimum hood distance above cooktop **MUST NOT BE LESS** than 24".

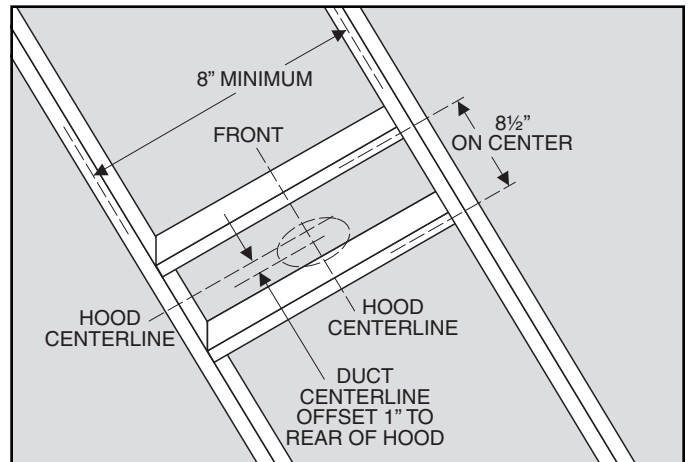
A maximum of 36" above cooktop is recommended for best capture of cooking impurities.

Distances over 36" are at the installer and users discretion; providing that the ceiling height permits.

INSTALL THE DUCTWORK (Ducted Hoods Only)

1. Decide where the ductwork will run between the hood and the outside.
2. A straight, short duct run will allow the hood to perform most efficiently.
3. Long duct runs, elbows and transitions will reduce the performance of the hood. Use as few of them as possible. Larger ducting may be required for best performance with longer duct runs.
4. Install wall cap or roof cap. Connect round metal ductwork to cap and work back towards the hood location. Use duct tape to seal the joints between ductwork sections.

INSTALL THE CEILING SUPPORT



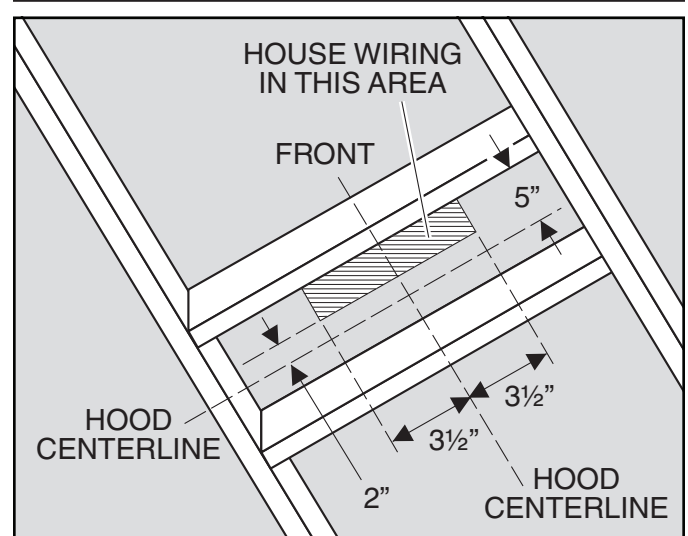
1. Construct wood framing that is flush with interior surface of the ceiling joists.

NOTE

Hood distance above cooktop is: Minimum 24", Maximum 36". 9-10 ft. ceilings may require Flue Extension Model FXNE59SS, depending on installation height (purchase separately). Discard the upper and lower flues, mounting frame, and trim strips supplied with your hood and replace them with Flue Extension Model FXNE59SS.

2. Finish opening to match surrounding ceiling carefully marking framing location.

INSTALL THE WIRING



GROUNDING INSTRUCTIONS

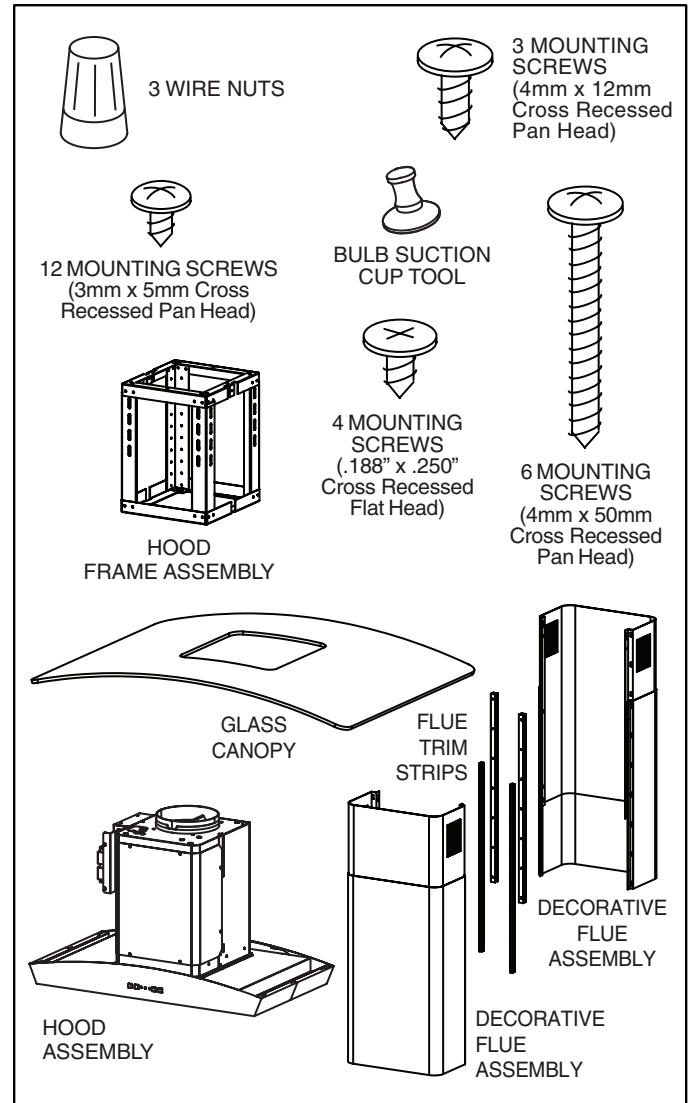
This appliance must be grounded. In the event of an electrical short circuit, grounding reduces the risk of electric shock by providing an escape wire for the electric current.

Position the electrical (house wiring) within the space covered by the decorative flue and where it will not interfere with the round duct. Make sure the length of the house wiring is a minimum of 5 feet. It may be shortened after hood is installed at correct height and electrical connection is made.

PREPARE THE HOOD

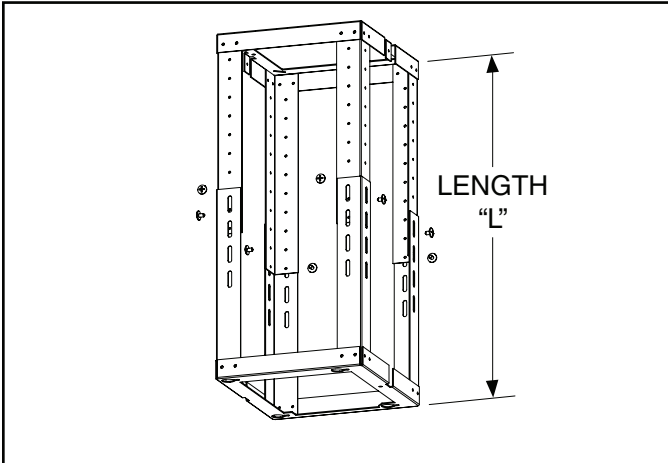
Unpack hood and check contents. You should receive:

- 1 - Hood Assembly
- 1 - Glass Canopy
- 1 - Decorative Flue Assembly
(consisting of 2-upper and 2-lower flue sections)
- 1 - Hood Frame Assembly
(consisting of upper and lower sections)
- 2 - Upper Flue Trim Strips
- 2 - Lower Flue Trim Strips
- 1 - Aluminum Grease Filter (installed on hood)
- 4 - 35W MR16 GU10 Halogen Lamps (included on hood)
- 1 - Parts Bag containing:
 - 6 - Mounting Screws (4mm x 38mm Cross Recessed Pan Head)
 - 3 - Mounting Screws (4mm x 12mm Cross Recessed Pan Head)
 - 12 - Mounting Screws (3mm x 5mm Cross Recessed Pan Head)
 - 4 - Mounting Screws (.188" x .250" Cross Recessed Flat Head)
 - 1 - Suction Cup Tool
 - 3 - Wire Nuts
 - 1 - Installation Manual



INSTALL THE HOOD (Ducted hoods only - Steps 1 & 2)

NON-DUCTED HOOD INSTALLATION - SKIP TO STEP 3.

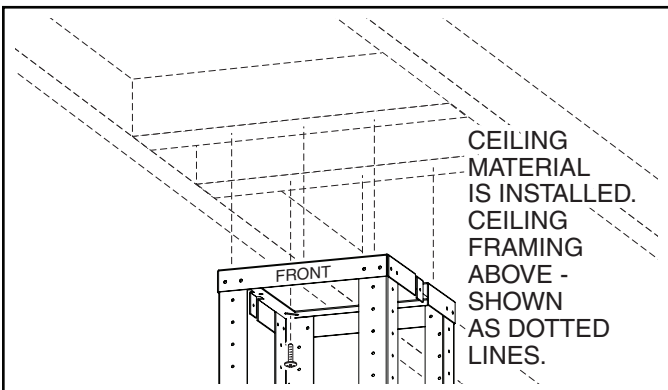


1. Determine length "L" of frame assembly based upon desired installation height. (See chart below.) To adjust frame assembly height, remove (8) screws, slide upper frame assembly to required height, replace screws and tighten securely.

Desired Hood Distance (Above 36" High Cooktop)

Ceiling Height	24"	25"	26"	27"	28"	29"	30"	31"	32"	33"	34"	35"	36"
	Frame Length "L"												
8 Feet	* 20-5/8"	19-5/8"	18-5/8"	17-5/8"	16-5/8"	15-5/8"							
9 Feet										* 23-5/8"	* 22-5/8"	* 21-5/8"	* 20-5/8"
9 Feet with FXNE59SS	32-5/8"	31-5/8"	30-5/8"	29-5/8"	28-5/8"	27-5/8"	26-5/8"						
10 Feet with FXNE59SS	44-5/8"	43-5/8"	42-5/8"	41-5/8"	40-5/8"	39-5/8"	38-5/8"	37-5/8"	36-5/8"	35-5/8"	34-5/8"	33-5/8"	32-5/8"

* Non-duct recirculation louvers will be exposed in ducted configuration

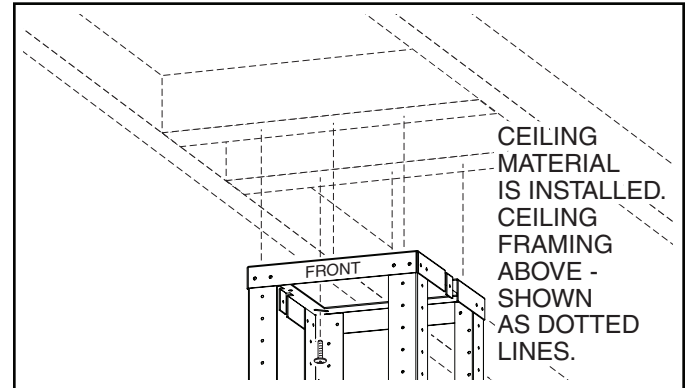
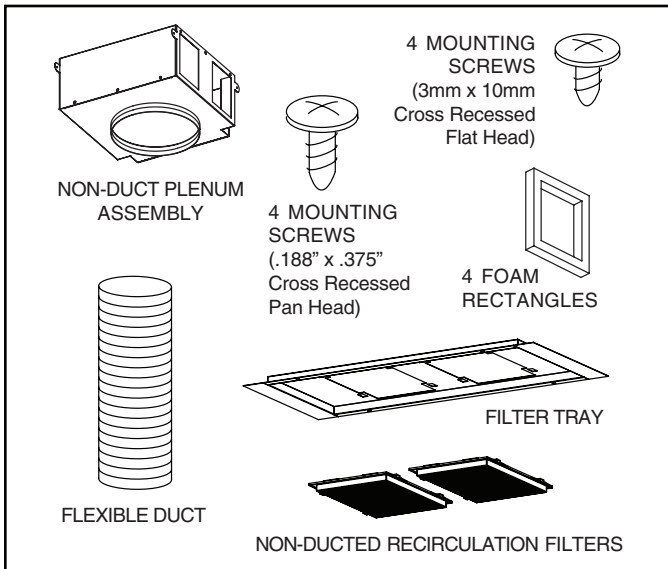


2. Align frame assembly to ceiling framing, and attach to ceiling framing with (6) 4mm x 50mm screws. Tighten securely, making sure that the upper frame bracket is tight against the ceiling.

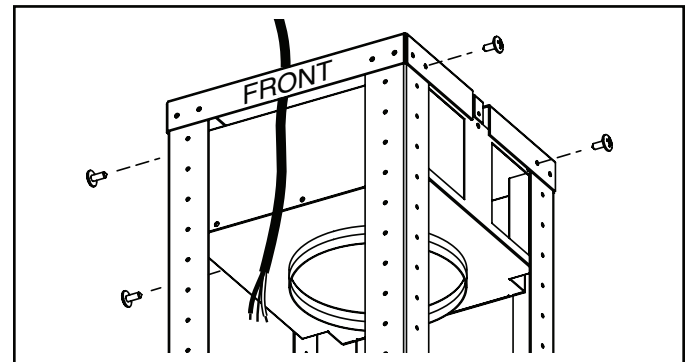
DUCTED HOOD INSTALLATION - SKIP TO STEP 9.

INSTALL THE HOOD (Non-Ducted Hoods Only - Steps 3 thru 8)

NON-DUCT KIT MODEL RKE59 CONTENTS



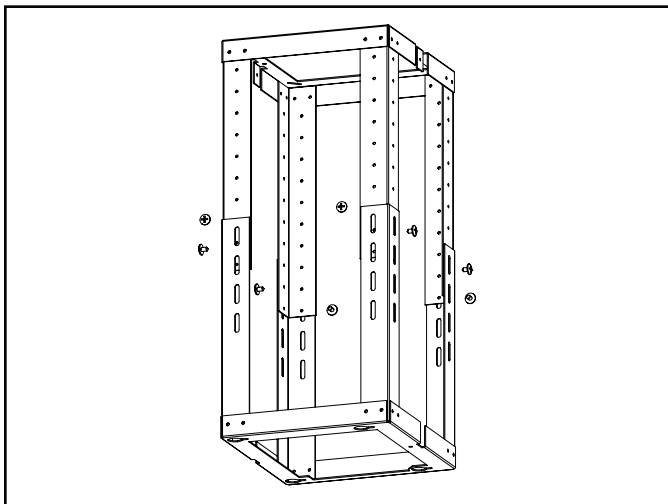
- Align upper frame assembly to ceiling framing, and attach to ceiling framing with (6) 4mm x 50mm screws. Tighten securely, making sure that the upper frame bracket is tight against the ceiling.



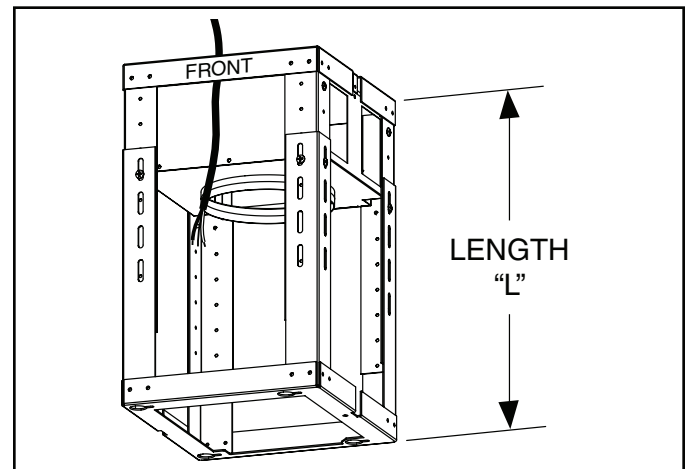
- Install non-duct plenum to upper frame bracket using (4) 3mm x 10mm screws.
- Feed house wiring around front of non-duct plenum.

NOTE

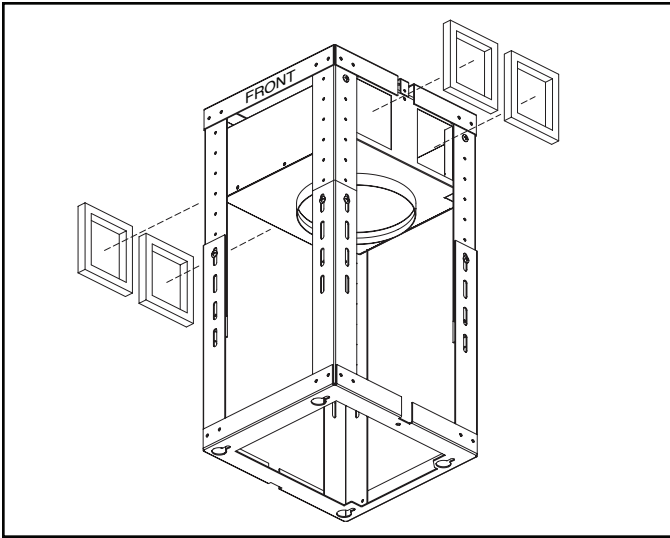
Non-ducted installations require Non-Duct Kit, Model RKE59 (purchase separately).



- Disassemble the frame by removing (8) screws. Set aside screws and lower frame assembly.

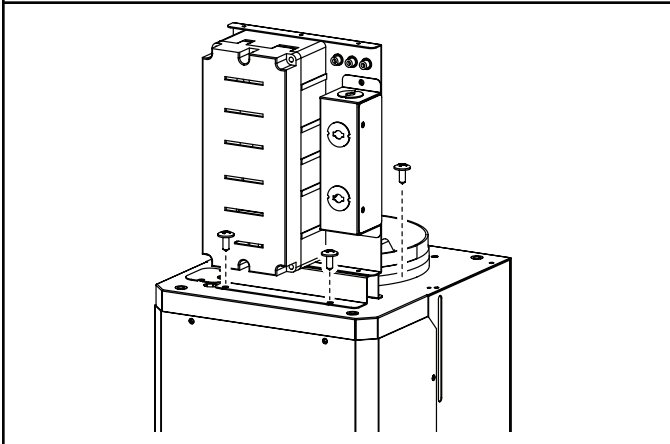
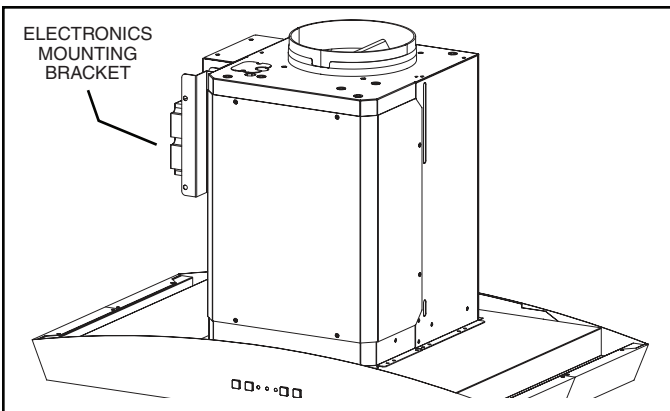


- Determine length "L" of frame assembly based upon desired installation height. See chart on page 4. Slide lower frame over upper frame and attach with (8) screws previously set aside.



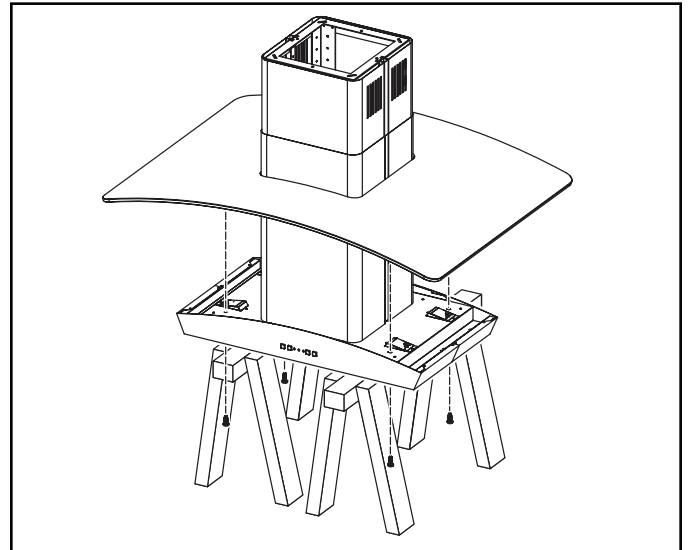
8. Attach foam seals to plenum and frame, around the plenum openings.

INSTALL THE HOOD (All Hoods - Steps 9 thru 25)

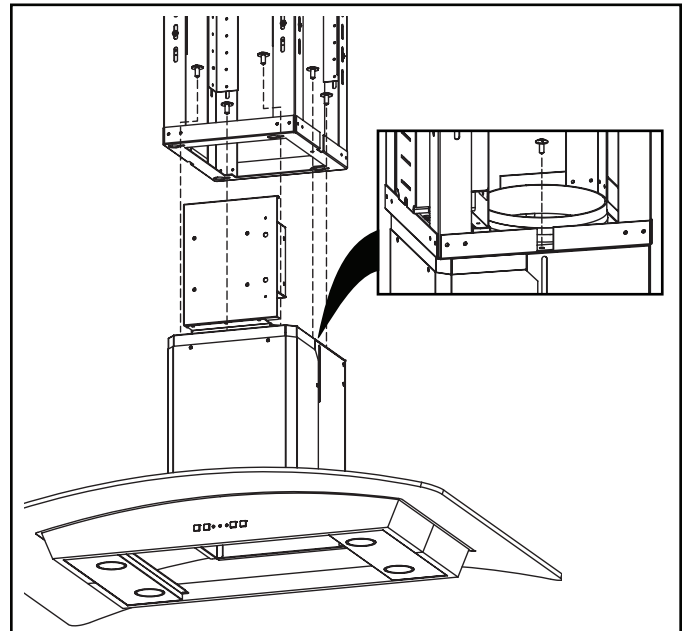


9. Remove tape holding electronics mounting bracket to hood. Remove (3) screws on top of hood chassis and set screws aside. Rotate electronics mounting bracket as shown and secure to hood with same (3) screws.

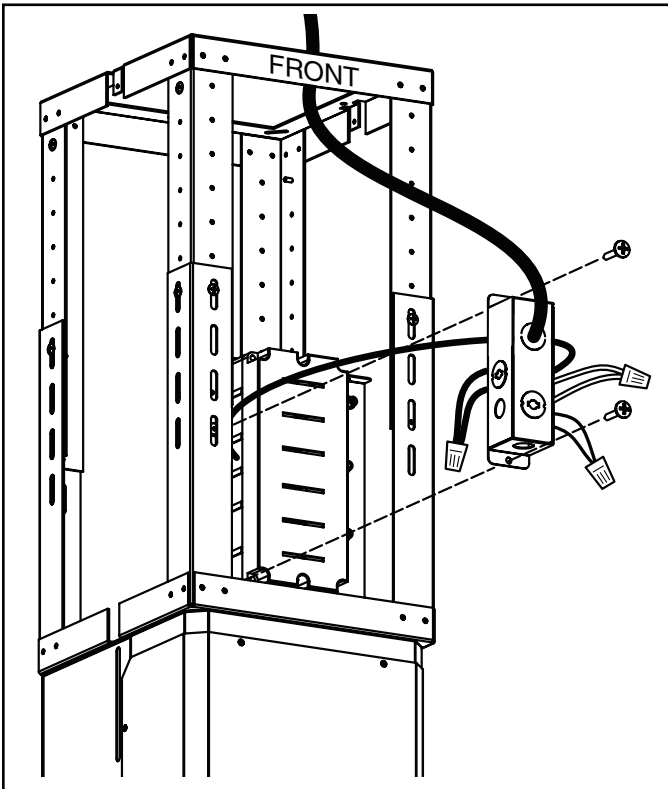
10. Remove the protective plastic film covering the decorative flue and the hood at this time.
11. Remove the grease filter by pulling down the metal latch tab and tilting filter downward.



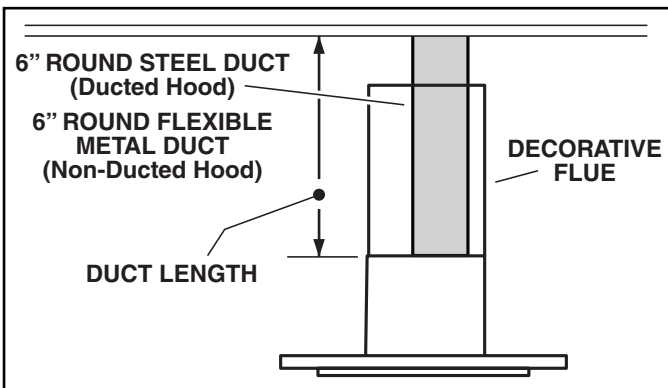
12. Place hood on a set of sawhorses. Carefully place glass canopy on top of the hood. To avoid damage to glass, make sure inside edge of glass cutout does not contact hood. Align nuts on glass canopy with holes inside the hood. Attach canopy with (4) .188" x .250" long flat head screws. Tighten screws securely but DO NOT OVERTIGHTEN.



13. Align the keyhole slots on the bottom of the frame assembly with the (4) mounting screws on the top of the hood (partially tightened). Slide the hood so the screw heads are seated entirely on mounting screws and that hood is level. Then tighten screws completely.
14. Install (1) 4mm x 12mm long screw into the lower frame and hood to secure.



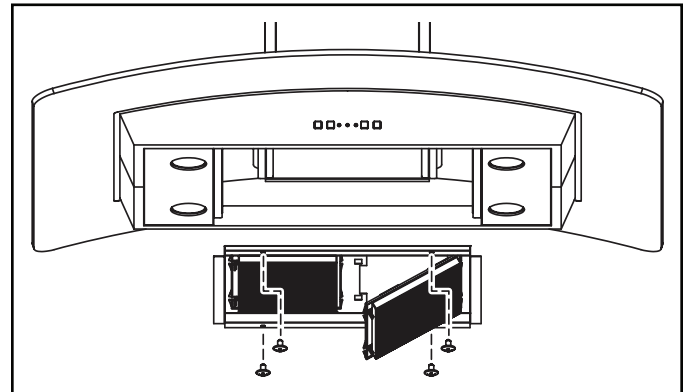
15. Remove wiring cover and connect house wiring to hood wiring – black to black, white to white, green to green. Re-attach wiring cover.



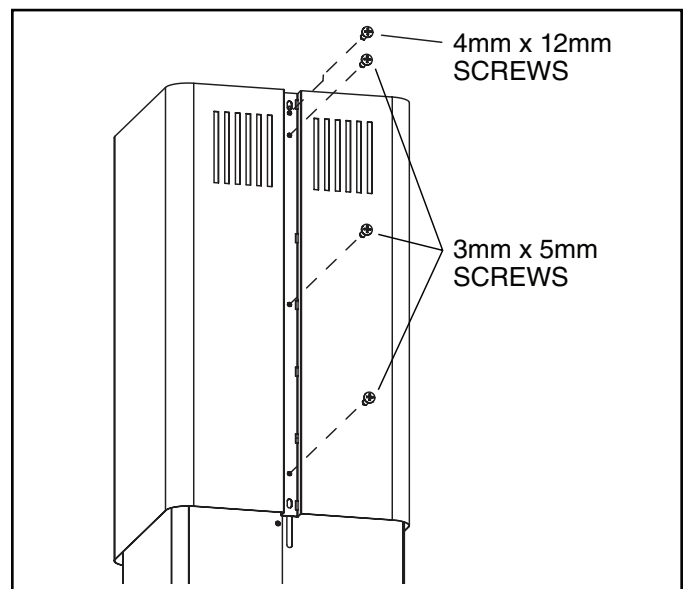
16. FOR DUCTED HOOD
Measure, cut, and install steel duct between hood's duct connector and duct rough-in in ceiling. Use duct tape to make all joints secure and air tight.

FOR NON-DUCTED HOOD
Measure, cut, and install flexible metal duct between hood's duct connector and non-duct plenum. Use duct tape to make all joints secure and air tight.

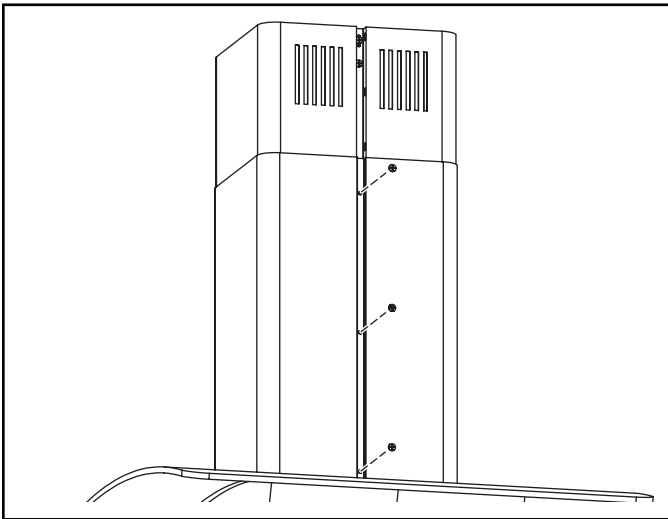
CAUTION
Do not use plastic duct.



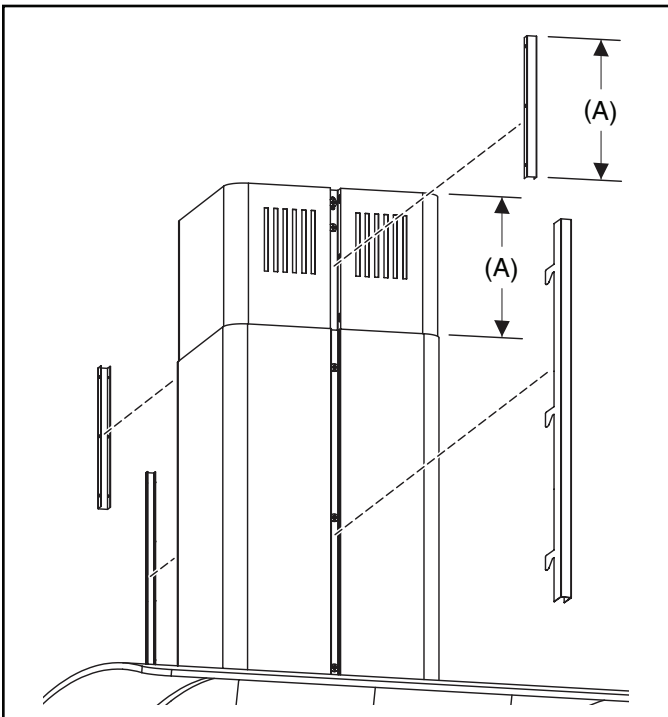
- 17. **NON-DUCT HOOD ONLY**
Attach filter tray to bottom of hood using (4) .188" x .375" mounting screws.
- 18. **NON-DUCT HOOD ONLY**
Snap in 2-non-duct filters into filter trays by engaging filter tab on side, rotating upward, and pressing firmly on (2) filter clips.
- 19. Reinstall grease filter by aligning rear filter tab with slots in the hood. pull down the metal latch tab, push filter into position and release. Make sure filter is securely engaged after installation.



- 20. Carefully place the (2) upper flue sections on the hood frame.
Note that the louvers should be on top for a non-ducted application, and on the bottom for most ducted applications. Make sure that the clearance holes (larger) are in front of the attachment holes (smaller) where the two flue halves meet. While gently pushing the two flue sections together and sliding them to the top of the frame, attach the flue sections together through the top attachment slots and into the upper frame mounting holes using (2) 4mm x 12mm screws.
- 21. Gently push the lower parts of the flues together and complete attachment using (6) 3mm x 5mm screws.



22. Carefully place the (2) lower flue sections on the hood frame, and overlapping the outside of the upper flue assembly, and nested into the glass cutout. Make sure that the clearance holes (larger) are in front of the attachment holes (smaller) where the two flue halves meet. While gently pushing the two flue sections together, attach the flue sections using (6) 3mm x 5mm screws.

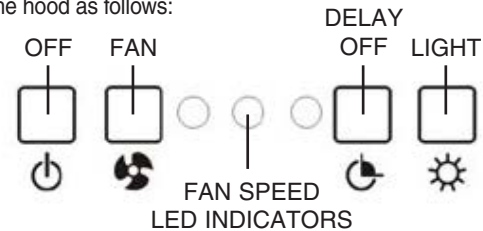


23. Snap lower flue trim strips (thin) into lower flue channels. Engage tabs on strips into slots inside lower flue channels. Push trim strips down so top edge is even with top edge of lower flue.
24. Measure the distance from the ceiling to the top edge of the lower flue assembly (A). Cut the upper flue trim strips (wide) to this dimension.
25. Snap upper flue trim strips into the flue channels in the upper flue assembly. Ensure that the top of the trim strip is even with the top edge of the upper flue assembly.

OPERATION

Always turn the hood ON before cooking in order to establish an air flow in the kitchen. After turning off the range, let the hood run for a few minutes to clear the air.

Operate the hood as follows:



OFF
Turns the fan OFF

FAN (1-Pushbutton Switch, 3-Fan Speeds)
Turns the fan ON to the last selected speed, and activates a blue LED indicating the fan speed setting. Pressing the FAN button a second time will index the fan speed and LED indicator to the next highest setting. Pressing the FAN button when the fan is at the highest speed setting will index the fan and LED indicator to the lowest setting.

DELAY-OFF (10 Minute Delay-Off)
Activates the 10 minute delay off feature when the fan is ON (any speed). When activated, the blue LED indicator above the selected speed setting will blink. The hood fan will automatically turn OFF after 10 minutes has elapsed. The DELAY-OFF button can be pressed at any time during the 10 minute countdown to turn off the feature.

LIGHT (1-Pushbutton Switch, 3-Light Intensities)
Turns the lights ON to the lowest intensity. Pressing the LIGHT button a second time will index the light intensity to the next highest level. Pressing the LIGHT button when the lights are at the highest intensity will turn the lights off.

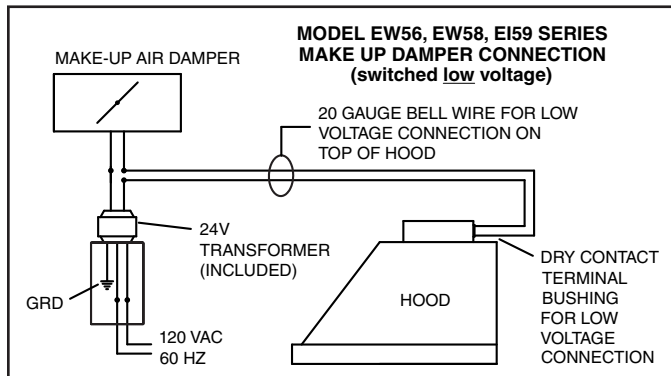
FILTER CHANGE INDICATION
After 30 hours of fan operation, the three blue LED indicators will blink simultaneously, indicating that it is time to clean the grease filters. To reset the filter clean timer, press and hold the OFF button for 3 seconds. The blinking LED indicators will turn off.

HEAT SENTRY SYSTEM
This range hood is equipped with a standard Heat Sentry system that monitors excessive temperature and automatically turns the fan speed on HIGH.

- 1) If the fan is ON, the Heat Sentry system will increase the fan setting to it's highest speed when the temperature is elevated. The blue indicator for fan speed (3) will illuminate and blink at a high rate, indicating that the heat sentry function is activated. Once the temperature has reduced, the Heat Sentry system will change the fan speed to the original setting.
- 2) If the fan is OFF, the Heat Sentry system will automatically turn the fan on to it's highest speed when the temperature is above normal. The blue indicator for fan speed (3) will illuminate and blink at a high rate, indicating that the heat sentry function is activated. After the temperature has lowered to normal, the fan will turn off.

FUSES
The Range Hood Control Board contains a Main Fuse to protect the controls from power surges. New fuses can be purchased at a local electronic supply store. Use 5A, 250V, 5 mm diameter, 20 mm long, fast-acting, cartridge-type fuses.
To replace a fuse (by qualified person(s)):
1. Disconnect power at service entrance.
2. Remove decorative flues.
3. Remove control cover
4. Remove and inspect fuse.

MAKE-UP AIR DAMPER



The hood is compatible with Broan Make-Up Air Damper Model MD6T or Model MD8T (optional). Purchase separately.

Make the connection to the Make-Up Air Damper with low voltage wiring, as shown. See Make-Up Air Damper instructions for additional information.

REMOTE CONTROL

This hood is compatible with Broan Radio Frequency (RF) Remote Control Model BCR1 (optional). Purchase separately.

Conduct the following steps to link the BCR1 remote control with the hood:

1. On the hood, press and hold the LIGHT button for 3-seconds and then release it.
2. The blue LED indicators will turn on and off in succession to indicate the hood is in RF linking mode.
3. When the hood is in the linking mode, press any key on the RF remote.
4. An audible beep will be heard from the hood and the blue LED's will stop blinking, which indicates a successful hood and remote control link.
 - If the remote control did not successfully link with the hood and no further action is taken, the linking mode will deactivate after 12 seconds and the blue LED's will stop blinking sequentially.
 - Refer to the BCR1 instructions for additional information.

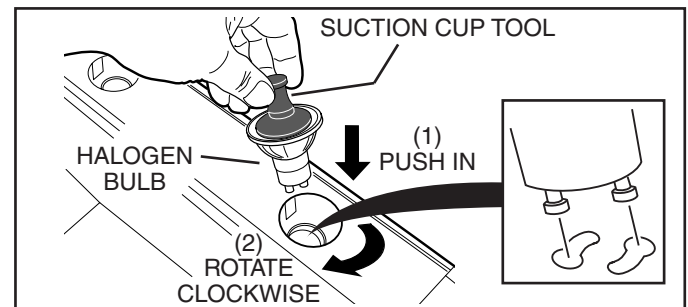
Conduct the following steps to erase a remote control link with the hood:

1. On the hood, press and hold the LIGHT button for 3-seconds and then release it.
2. The blue LED indicators will turn on and off in succession to indicate the hood is in RF linking mode.
3. Press and release the OFF button.
4. The blue LED indicators will turn on and off together three times to confirm the link is erased.
 - If the hood did not successfully erase the remote control link and no further action is taken, the linking mode will deactivate after 12 seconds and the LED's will stop blinking sequentially.
 - Refer to the BCR1 instructions for additional information.

CLEANING & MAINTENANCE

For performance, appearance, and health reasons, clean filter, fan and grease-laden surfaces. Use only a clean cloth and mild detergent solution on stainless and painted surfaces. Clean all-metal filters in the dishwasher using a non-phosphate detergent. Discoloration of the filter may occur if using phosphate detergents, or as a result of local water conditions - but this will not affect filter performance. This discoloration is not covered by the warranty. Clean the non-duct recirculating filter surfaces frequently with a damp cloth and a mild detergent. **DO NOT** immerse filters in water or put in dishwasher. Change the non-duct recirculating filters every 6 months. For replacement non-duct recirculating filters - purchase S99010365 or Model FILTERE56. The motor is permanently lubricated and never needs oiling. If the motor bearings make excessive or unusual noise, replace the blower assembly with an exact service replacement.

LIGHT BULBS



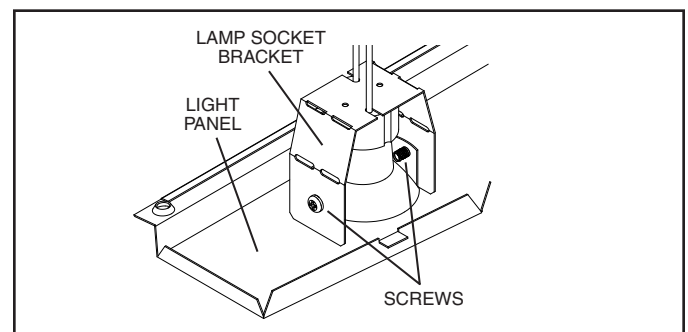
WARNING

Bulbs may be hot. Always allow bulbs to cool down before removing them.

Use (2) Halogen Bulbs (included with hood) - 120 V, 35 W, shielded halogen bulbs - MR16 with GU10 base.

NOTE

Suction Cup Tool (included with hood) can be used to install and remove light bulbs. Align pins on bulb with large diameter opening on socket, then push bulb in towards hood and rotate clockwise until firmly seated. The position of the bulb socket (depth) is adjustable and may require adjustment when: a) certain brands of bulbs are difficult to install. b) the bulb protrudes too far below the light panel.



To change the depth of bulb sockets:

- Remove 2 screws on light panel – set screws aside
- Remove Light Panel.
- Loosen 2 Screws holding Lamp Socket Bracket to Light Panel.
- Adjust socket/bracket to desired depth.
- Re-tighten screws securely.
- Re-attach light panel with 2 screws that were previously set aside.

SERVICE PARTS

KEY	PART NO.	DESCRIPTION	QTY.
1	S99527476	Decorative Upper and Lower Flues (2 of each)	1
2	S99527477	Upper Flue Trim (2 pcs.)	2
3	S99527479	Hood Frame Assembly	1
4	S99527478	Lower Flue Trim (2 pcs.)	2
5	S99527443	Motor / Blower Assembly	1
6	S99527444	Light Socket (includes mounting hardware)	4
7	S99527445	Light Socket Bracket (includes mounting hardware)	4
8	S99527446	User Interface Assembly	1
9	S99527447	User Interface Cable	1
10	S99527449	Control Board	1
11	S99527450	Control Enclosure	1
12	S99527454	Light Panel (pair)	2
13	S99010366	Aluminum Grease Filter	1
14	S99010365	Non-Duct Recirculation Filters (pair)	1
15	S99527459	Non-Duct Filter Tray	1
16	S99527460	Curved Glass Plate	1
17	S99527461	Damper Assembly	1
18	S99527462	6" Dia. Expandable Flexible Aluminum Duct	1
19	S99527465	Non-Duct Plenum Assembly	1
20	S99526798	35W MR16 GU10 Halogen Lamp	4
21	S99527468	Capacitor	1
*	S99527470	Heat Sensor	1
*	S99527471	Fuse	1
*	S99527474	Parts Bag	1
*	S99527481	User Interface Button (4-pack)	4

* Not shown.

Order service parts by Part No. - not by Key No.

