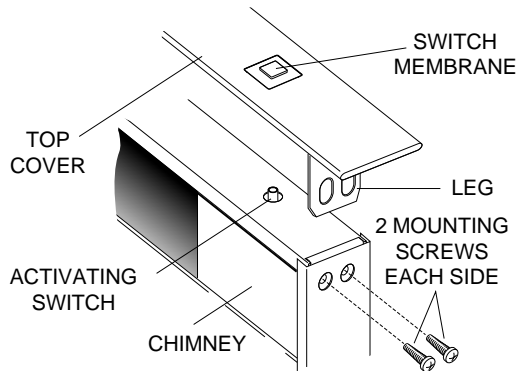


## INSTALLATION



1. Press activating switch to raise chimney. NOTE: If electrical power supply is not connected, lift chimney manually and cock it slightly to keep it in position. Remove four (4) screws and remove existing top cover.
2. Slide legs on top cover into ends of chimney as shown. Make sure switch membrane is above activating switch. Fasten with four (4) screws provided.

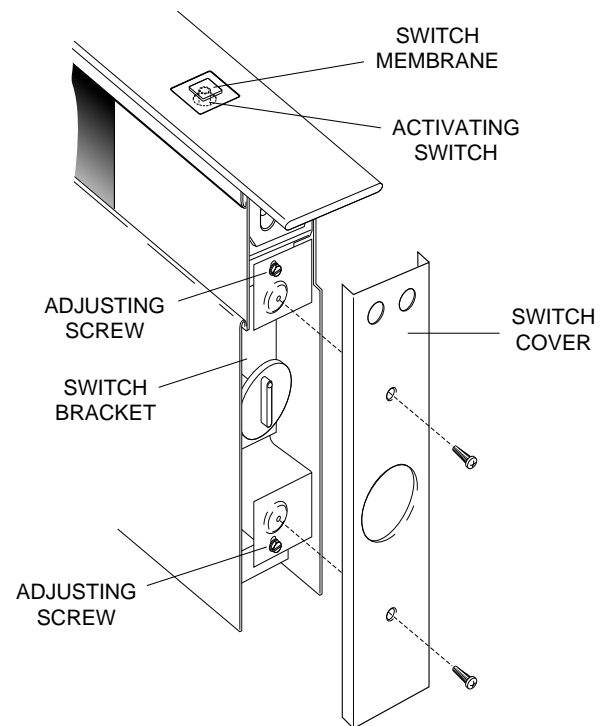
## ADJUSTMENT

The downdraft is factory-adjusted for proper operation. However, shipping and handling may affect the position of the activating switch.

To adjust position of activating switch:

**WARNING: To avoid possible electrical shock, personal injury or death - Disconnect electrical power.**

1. If downdraft is plugged into electrical outlet, unplug it.
2. Lift air vent straight up and cock it slightly so it remains in the UP position.



3. Remove switch cover from right end of air vent.
4. Loosen the 2 screws holding the switch bracket in place. Position switch bracket so that activating switch just comes in contact with underside of switch membrane. Tighten screws.
5. Replace switch cover, gently lower air vent into chimney, and plug in power cord. Re-connect electrical power and check operation.