



NuTone
KNOCK™

NuTone KNOCK™ Smart Video Doorbell Camera DCAM100

Visibility and Security – whether you're home or away

No more wondering "Who's there?" No more guessing if the children get home safely from school, or whether the mailman delivered your package. NuTone Knock lets you know when someone is at your door. The motion-sensing camera works day or night, so you never miss another visitor. You can even speak to anyone who rings the doorbell from anywhere in the world – with the convenience of your smart phone or tablet. The Do Not Disturb feature lets you set quiet hours for family time, movie time or naptime.

Ideal for challenging weather conditions, NuTone Knock can handle the sweltering heat of the desert or the extreme cold of the upper Midwest. With an IP65 rating to protect against dust and water, it is more dependable than other leading brands. NuTone Knock works with a home's existing doorbell wiring and installs in minutes.





Reliable Security

- Weatherproof to protect against dust and water.
- Rated for temperatures as low as -22°F and as high as 122°F.
- More dependable in extreme weather than the other leading brands.



See and Speak to Visitors

- See your entire entry area with the 180° view 720p HD camera.
- Night vision camera for low light conditions.
- Speak to visitors with two-way audio.



Motion Detection

- Receive alerts when someone approaches the door.
- Block out high traffic areas to reduce false motion alerts.
- Heat sensor prevents nuisance motion triggering from leaves and debris.



Do Not Disturb

- Set quiet hours to turn off the chime.
- Make sure visitors do not disturb the baby's nap, family time or movie night.



Keep a Record of Visitors

- Record video or take snapshots on demand.
- Automatically saves a snapshot whenever the doorbell button is pressed.
- Automatically saves video to the cloud whenever motion is detected or the button is pressed.*



Installs in Minutes

- Feedback from the doorbell guides you through the installation process, no need to find or replace the transformer.
- NuTone Knock will tell you if the transformer voltage is too low.
- Connects to existing doorbell wiring.



Fits Your Lifestyle

- Viewable on up to four (4) smart phones or tablets.
- Android and Apple compatible.



DCAM100

Size: 5.5"H x 1.9"W x 1"D

Also Available:



Wi-Fi Chime – LA227WH

- Plug into any outlet to hear your NuTone Knock chime throughout your home.
- Includes 16 pre-loaded chime melodies.
- Makes installation even easier.



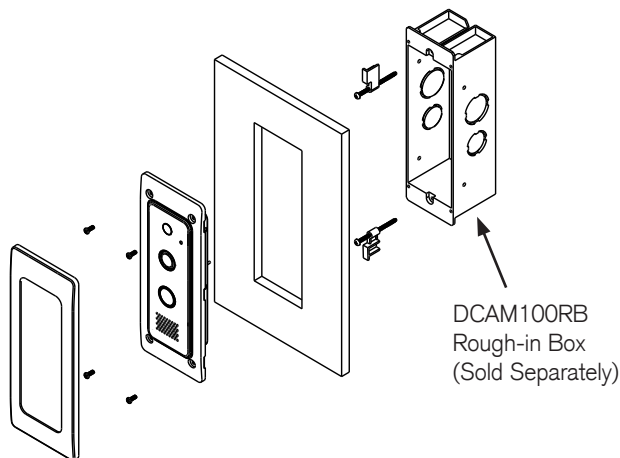
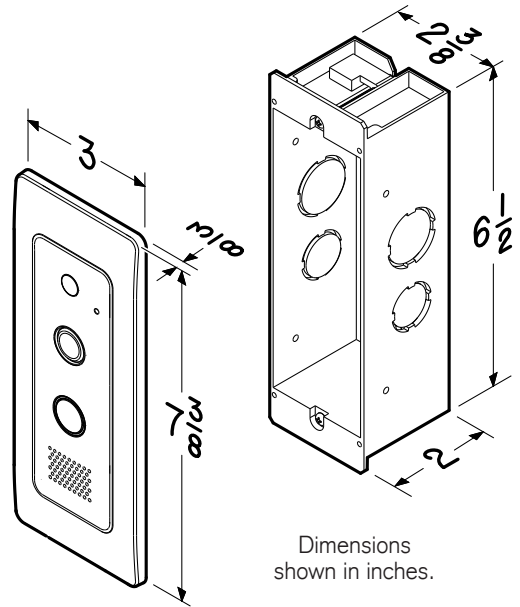
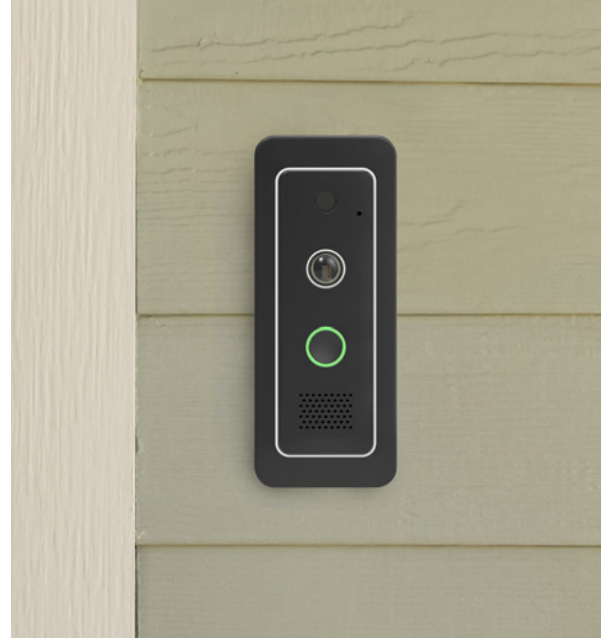
Optional Flush Mount - DCAM100FM

- An even sleeker profile allows for seamless integration into your home design.
- All of the same great features as the DCAM100.

Model DCAM100FM / DCAM100RB

Smart Video Doorbell pushbutton that allows you to see and speak to visitors from anywhere.

FEATURES	
IP65 Waterproof	Yes
Over-the-air Firmware Upgrades	Yes
Housing	Black plastic with Satin Nickel decorative ring
UV Protection	Yes
Operating Environment	-22°F to 122°F / -30°C to 50°C
Lighted Pushbutton	Yes - Green and Red
Wi-Fi 802.11	Yes
Compatibility	Mechanical Chimes and LA227WH only
Mounting and Electrical Hardware included	Yes
Flush Mount Installation	Yes - Protrudes approximately 3/8-in. from wall surface
Compatible with DCAM100RB Rough-in Box only	Yes - DCAM100RB Rough-in Box Sold Separately
REQUIREMENTS	
Use with transformer	Class 2 UL
Voltage	8-20 VAC
Hz	60 Hz
Watts	10W minimum
INSTALLATION	
Complete installation instructions included with each unit.	



NUTONE KNOCK™ - SMART VIDEO DOORBELL - FLUSH MOUNT