

# DAMPER KITS

## For 120 volt & 240 volt Cabinet Ventilators

Snap inside bushing into hole on inside of damper frame.

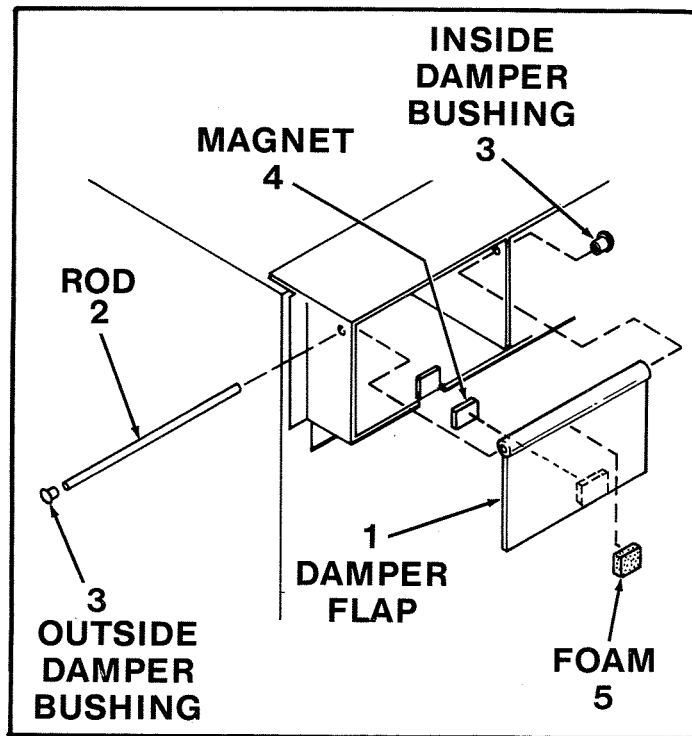
Run rod through outside hole in damper frame, flap, and into inside bushing in damper frame.

Snap outside bushing over damper rod.

Repeat steps for other side.

Check to make sure that damper opens freely.

SERVICE PARTS			
Key No.	120 Volt Cab. Vent	240 Volt Cab. Vent	Description
1	98006479	98006480	Damper Flap (2 req.)
2	98006481	98006482	Rod (2 req.)
3	97007520	97007520	Bushing (bag of 4)
4	99760002	99760002	Magnet (2 req.)
5	99100416	99100416	Foam (2 req.)



99040733A