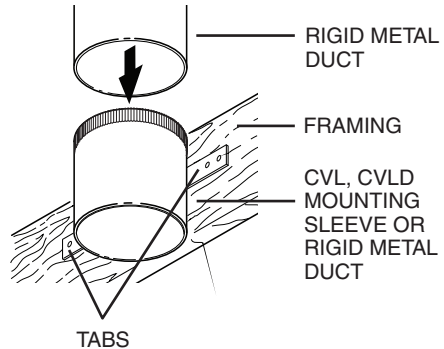


INLET GRILLES & MOUNTING SLEEVES - INSTALLATION INSTRUCTIONS -

1. Determine mounting location.

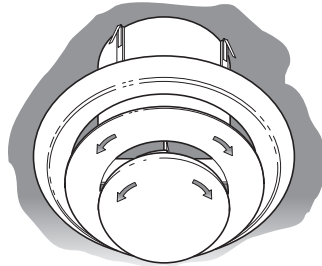
Choose location for inlet grille on ceiling. Secure rigid metal duct or mounting sleeve to framing - flush with finished surface of ceiling.

Note: Use of CVL Mounting Sleeve or CVLD Mounting Sleeve with Damper - highly recommended. Straighten tabs on mounting sleeve and nail or screw sleeve to framing.



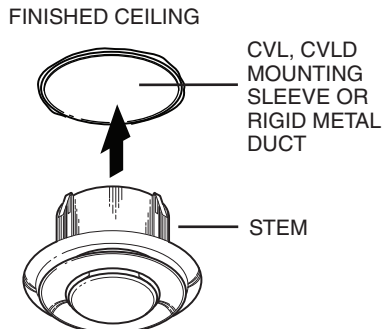
2. Set inlet grille opening.

Rotate inlet grille sections to desired opening. The larger the opening, the greater the air flow.



3. Insert inlet grille into ductwork.

After ceiling is finished, insert stem of inlet grille into mounting sleeve or rigid metal duct section. Push inlet grille up until it contacts the finished ceiling.



9904500B