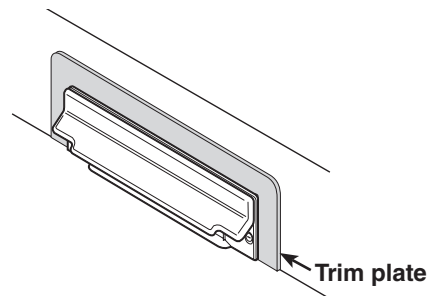
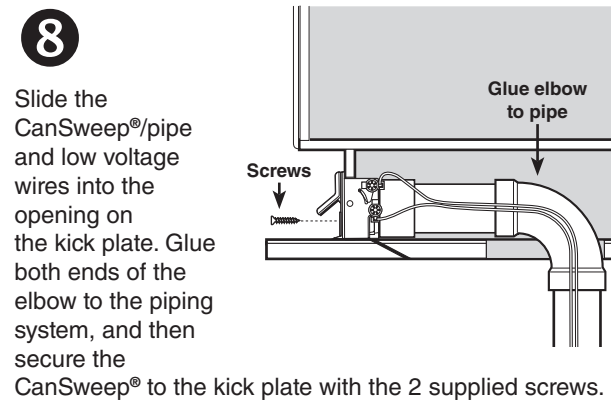
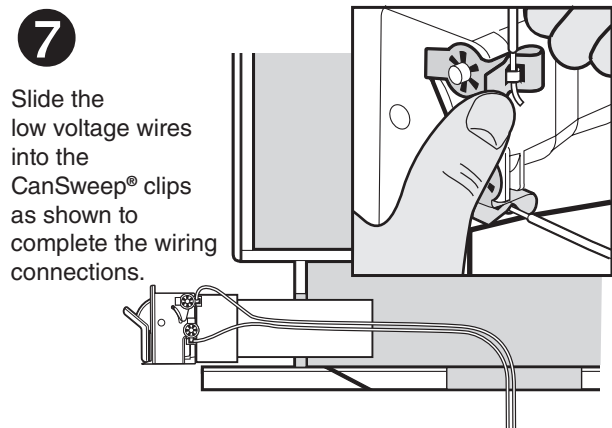
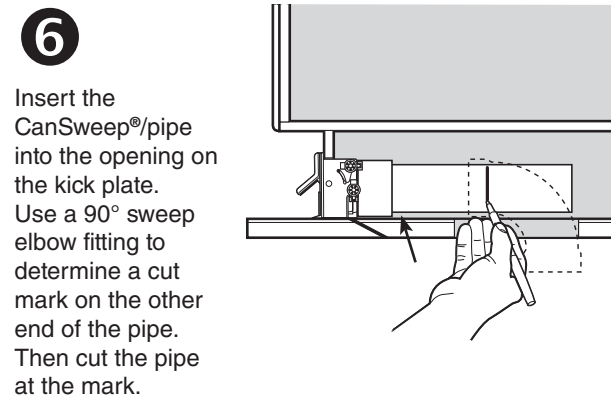
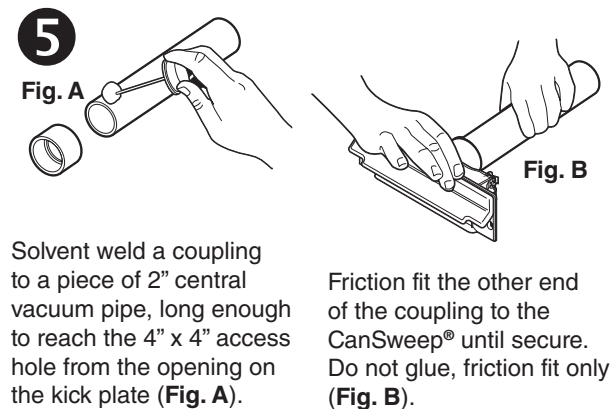
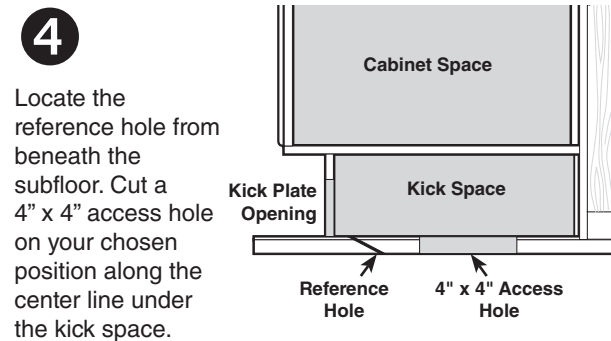
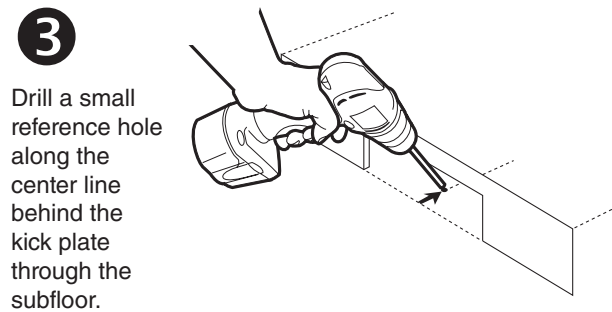
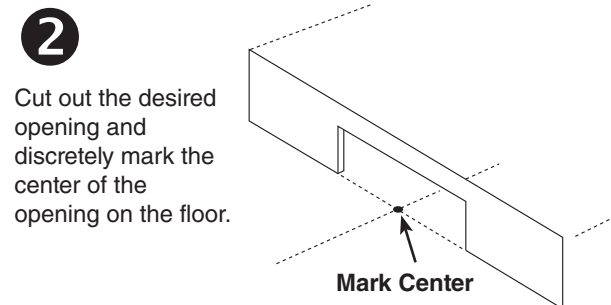
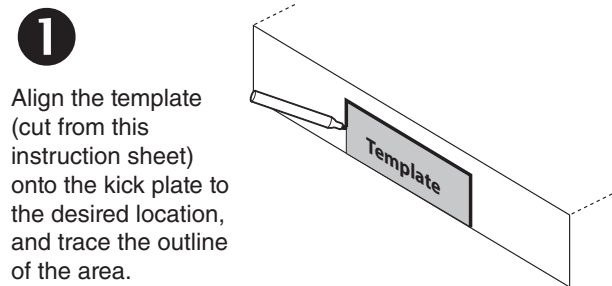


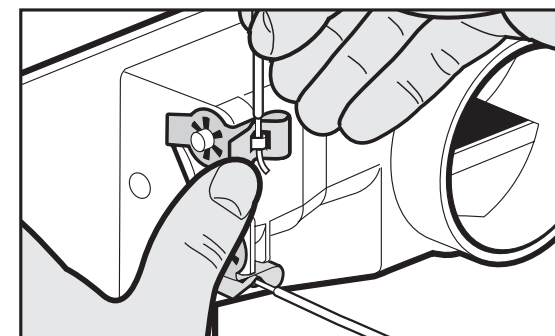
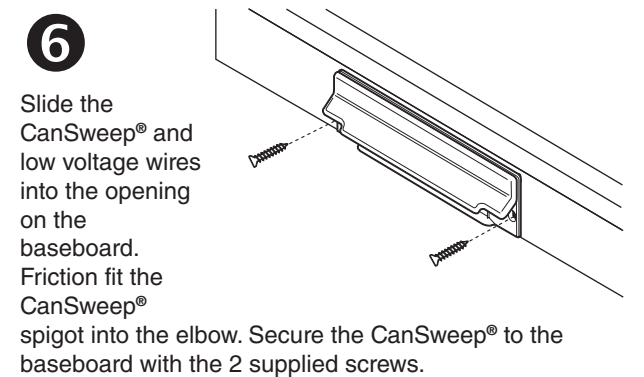
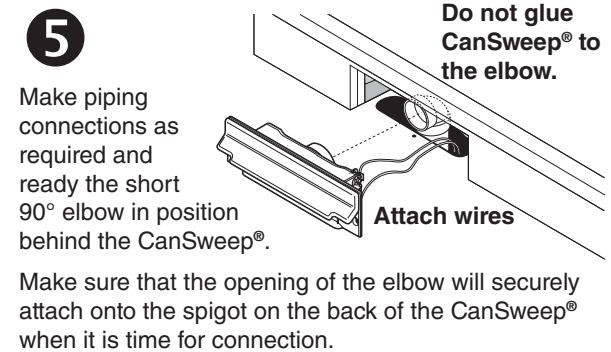
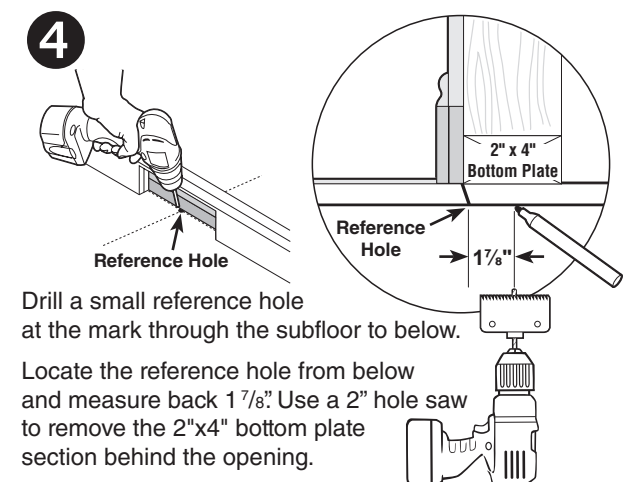
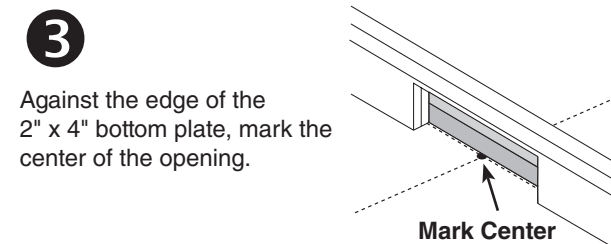
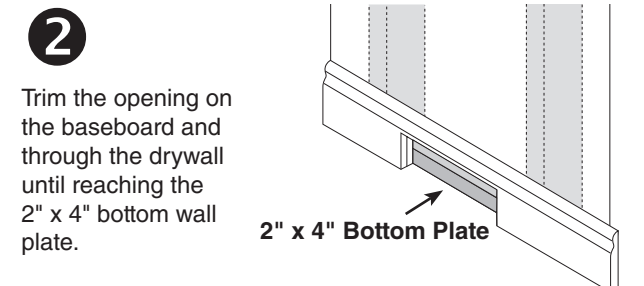
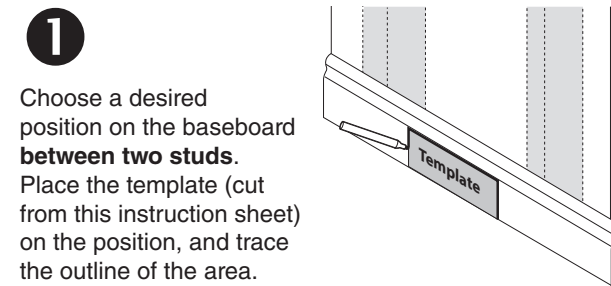
If by any chance the opening was cut too big, a trim plate (part number CI376W) is available to provide a perfect cover.



CI377W CanSweep® Under Cabinet Installation



CI377W CanSweep® Baseboard Wall Installation



Slide the low volt wires into the CanSweep® clips as shown to complete the wiring connections.

NuTone®