

BROAN NuTone MODEL CD60W 60-MINUTE COUNTDOWN TIMER

INCLUDED

Wall Control
Instruction Sheet
Note: Wall plate not included – Use Broan Part No. S97012925 (or equivalent)

CONTROL SPECIFICATIONS

- cULus Listed
- 120 VAC 60 Hz Line Power
- 9A Max. Total Load (Fan + Lamp)
- When used in combination with fan/light fixtures that are switched together, the device is rated for the following lamps: 600W Incandescent, 150W LED, 150W CFL, or 400VA Inductive Ballasted Fluorescent Lamps
- Typical Wire Sizes: 12AWG (MAX) or 14AWG solid or stranded copper wire
- Operating temperature: 32-122°F (0-50°C)

SAFETY

TO REDUCE THE RISK OF FIRE, ELECTRIC SHOCK, OR INJURY TO PERSONS, OBSERVE THE FOLLOWING:

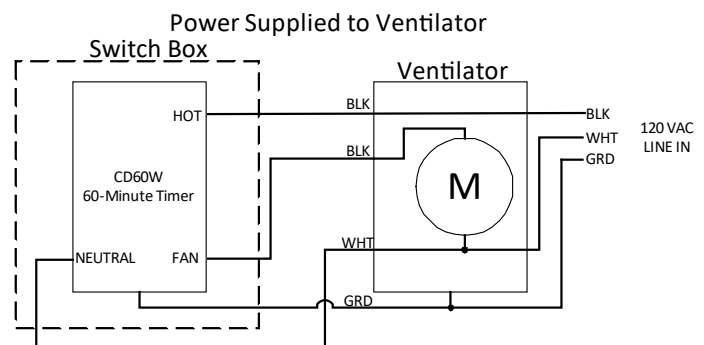
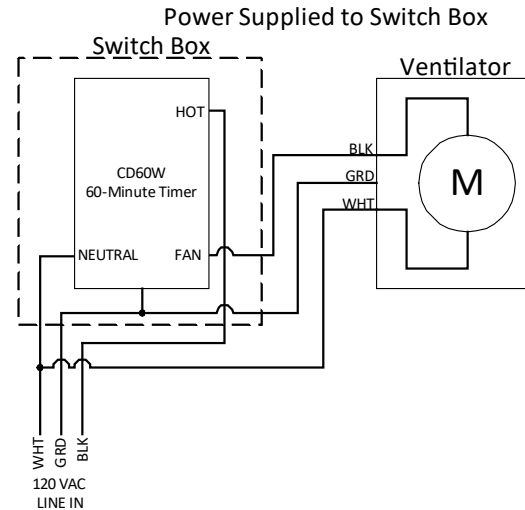
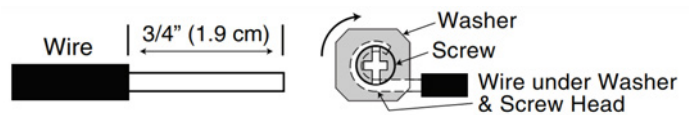
1. Before installing the wall control, switch power off at the service panel and lock the service disconnecting means to prevent power from being switched on accidentally. When the service disconnecting means cannot be locked, securely fasten a prominent warning device, such as a tag, to the service panel. CAUTION: Risk of Electric Shock - More than one disconnect switch may be required to de-energize the equipment before servicing.
2. All electrical work must be done in accordance with local codes, ordinances, or National Electrical Code, as applicable, including fire-rated construction codes and standards. FOR SAFETY, THIS PRODUCT MUST BE GROUNDED. If you are unfamiliar with methods of installing electrical wiring, secure the services of a qualified electrician.
3. Use copper wire only.
4. WARNING: This device shall not be used in combination with a wall switch controlling a receptacle.
5. Install only in a UL Listed junction box sized 2.0 x 3.0 x 3.0 in. (50.8 x 76.2 x 76.2 mm) or larger, with a minimum volume of 18.0 in³ (295 CM³).
6. This control requires a neutral wire for operation.
7. When cutting or drilling into wall or ceiling, do not damage electrical wiring or other hidden utilities.
8. To prevent serious injury from electrical shock or damage to electrical components - DO NOT WIRE HOT!
9. Note: When power is applied, the Model CD60W may require approximately 30 seconds to boot up and be ready to function.

Warranty is void if miswired.

INSTALLATION

NOTE: This control requires a 120 VAC source (hot and neutral) in the switch box to operate the wall control.

1. Turn off the power and lockout the service panel before wiring the control.
2. Install the wall control in at least a 3" deep switch box for #14 AWG wire or at least a 3 1/2" deep switch box for #12 AWG wire. The control can be installed in either a metal outlet box or a plastic outlet box.
3. Attach the incoming power line and ventilator power line to switch box. It may be necessary to use two side knockouts for some applications. Use proper connectors. Provide 6" leads inside box and ventilation product.
4. Make electrical connections following the diagrams provided. Make sure both the control and the ventilator are properly grounded. Wire terminals accept up to #12 AWG MAX solid and stranded wire.
 - a. Loosen combination screw/washer from the terminals.
 - b. Wrap the stripped end of the wire around the screw thread, under the washer.
 - c. Tighten the screw/washer, making sure wire remains under the washer. Torque the terminal screws to 15.9 - 19.5 in-lbs (1.8 - 2.2 N-m).
 - d. Note: The screw/washer is not designed for straight insertion of stripped wire. Use only wire formed into a "J" loop and wrapped around screw thread for proper mechanical and electrical connection.
5. Tuck wires in and fasten control to switch box using attached screws. Verify wall control orientation before installation. Note "TOP" direction shown on the wall control label.
6. Attach switch plate (not included) using color-matched oval head screws.



OPERATING INSTRUCTIONS

The time control will operate the fan at intervals of 20, 40, and 60 minutes. Use the button to set the time to the desired setting. The timer will automatically put the ventilator in STANDBY at the end of the set period. Hold the control button for continuous run mode. While in continuous run mode, the LEDs will flash rapidly. Press the button again to turn off continuous run mode. CAUTION: This setting is not a power disconnection and should never be used as a disconnecting means for service, maintenance, or cleaning.