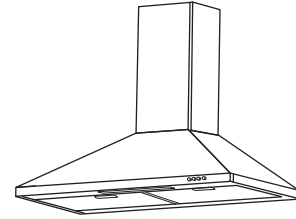


CHIMNEY RANGE HOOD



READ AND SAVE THESE INSTRUCTIONS

! INTENDED FOR DOMESTIC COOKING ONLY. !

WARNING

TO REDUCE THE RISK OF FIRE, ELECTRIC SHOCK, OR INJURY TO PERSON(S) OBSERVE THE FOLLOWING:

1. Use this unit only in the manner intended by the manufacturer. If you have questions, contact the manufacturer at the address or telephone number listed in the warranty.
2. Before servicing or cleaning unit, switch power off at service panel and lock service disconnecting means to prevent power from being switched on accidentally. When the service disconnecting means cannot be locked, securely fasten a prominent warning device, such as a tag, to the service panel.
3. Installation work and electrical wiring must be done by qualified personnel in accordance with all applicable codes and standards, including fire-rated construction codes and standards.
4. Sufficient air is needed for proper combustion and exhausting of gases through the flue (chimney) of fuel burning equipment to prevent backdrafting. Follow the heating equipment manufacturer's guidelines and safety standards such as those published by the National Fire Protection Association (NFPA), the American Society for Heating, Refrigeration and Air Conditioning Engineers (ASHRAE) and the local code authorities.
5. This product may have sharp edges. Be careful to avoid cuts and abrasions during installation or cleaning.
6. When cutting or drilling into wall or ceiling, do not damage electrical wiring and other hidden utilities.
7. Ducted fans must always be vented to the outdoors.
8. Do not use this unit with any other solid-state speed control device.
9. Use only metal ductwork.
10. This unit must be grounded.

TO REDUCE THE RISK OF A RANGE TOP GREASE FIRE:

- a) Never leave surface units unattended at high settings. Boilovers cause smoking and greasy spillovers that may ignite. Heat oils slowly on low or medium settings.
- b) Always turn hood ON when cooking at high heat or when cooking flaming foods (i.e. Crêpes Suzette, Cherries Jubilee, Peppercorn Beef Flambé).
- c) Clean ventilating fans frequently. Grease should not be allowed to accumulate on fan or filters.
- d) Use proper pan size. Always use cookware appropriate for the size of the surface element.

WARNING

TO REDUCE THE RISK OF INJURY TO PERSON(S) IN THE EVENT OF A RANGE TOP GREASE FIRE, OBSERVE THE FOLLOWING*:

1. SMOTHER FLAMES with a close-fitting lid, cookie sheet, or metal tray, then turn off the burner. BE CAREFUL TO PREVENT BURNS. IF THE FLAMES DO NOT GO OUT IMMEDIATELY, EVACUATE AND CALL THE FIRE DEPARTMENT.
2. NEVER PICK UP A FLAMING PAN – You may be burned.
3. DO NOT USE WATER, including wet dishcloths or towels – This could cause a violent steam explosion.
4. Use an extinguisher ONLY if:
 - A. You know you have a Class ABC extinguisher and you know how to operate it.
 - B. The fire is small and contained in the area where it started.
 - C. The fire department has been called.
 - D. You can fight the fire with your back to an exit.

* Based on "Kitchen Fire Safety Tips" published by NFPA.

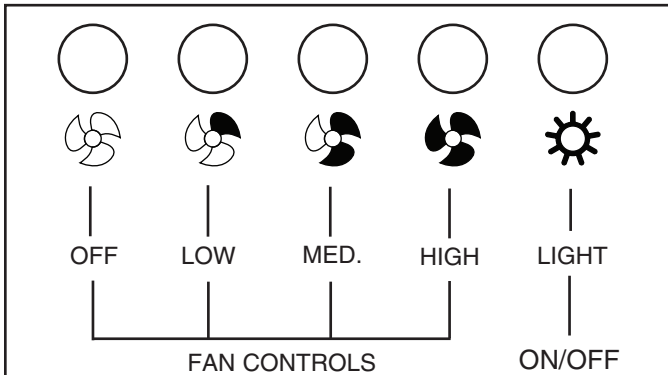
CAUTION

1. For indoor use only.
2. For general ventilating use only. Do not use to exhaust hazardous or explosive materials and vapors.
3. To avoid motor bearing damage and noisy and/or unbalanced impeller, keep drywall spray, construction dust, etc. off power unit.
4. Do not use over cooking equipment greater than 60,000 BTU/hr. as the blower motor will shut down intermittently.
5. Your hood motor has a thermal overload which will automatically shut off the motor if it becomes overheated. The motor will restart when it cools down. If the motor continues to shut off and restart, have the hood serviced.
6. The bottom of the hood MUST NOT BE LESS than 30" and at a maximum of 36" above cooktop for best capture of cooking impurities.
7. Two installers are recommended because of the size of this hood.
8. To reduce risk of fire and to properly exhaust air, be sure to duct air outside. Do not exhaust air into spaces within walls or ceilings or into attics, crawl spaces, or garages.
9. Be careful when installing the decorative flue and hood, they may have sharp edges.
10. Please read specification label on product for further information and requirements.

INSTALLER: LEAVE THIS GUIDE WITH THE HOMEOWNER.

HOMEOWNER: OPERATION AND MAINTENANCE INFORMATION ON PAGE 2.

OPERATION



The hood is operated using the push buttons on the front panel.
Push the light button to turn the lights on and off.
Push the fan controls to select low, medium, or high blower speed.
Push the OFF button to turn the blower off.

CLEANING & MAINTENANCE

Proper maintenance of the Range Hood will assure proper performance of the unit.

MOTOR

The motor is permanently lubricated and never needs oiling. If the motor bearings make excessive or unusual noise, replace the blower with the exact service blower.

GREASE FILTERS

The grease filters should be cleaned frequently. Use a warm dishwashing detergent solution. Grease filters are dishwasher safe.

Clean all-metal filters in the dishwasher using a non-phosphate detergent. Discoloration of the filters may occur if using phosphate detergents, or as a result of local water conditions - but this will not affect filter performance. This discoloration is not covered by the warranty.

Remove grease filters by pulling down on the metal latch tab. This will disengage the filter from the hood. Tilt the filter downward and remove.

NON-DUCTED RECIRCULATION FILTERS

The non-ducted recirculation filters should be changed every 6 months. Replace more often if your cooking style generates extra grease, such as frying and wok cooking. Turn the filter mounting tabs to remove filter and replace.

STAINLESS STEEL CLEANING

DO:

- Regularly wash with clean cloth or rag soaked with warm water and mild soap or liquid dish detergent.
- Always clean in the direction of original polish lines.
- Always rinse well with clear water (2 or 3 times) after cleaning. Wipe dry completely.
- You may also use a specialized household stainless steel cleaner.

DON'T:

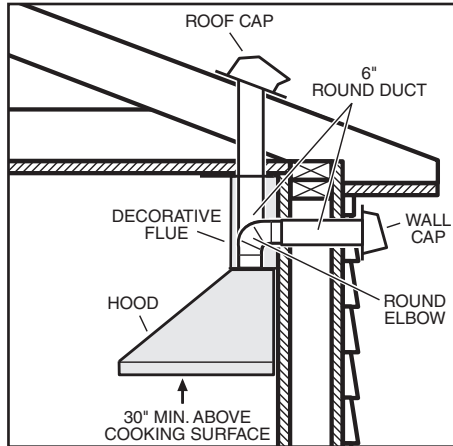
- Use any steel or stainless steel wool or any other scrapers to remove stubborn dirt.
- Use any harsh or abrasive cleansers.
- Allow dirt to accumulate.
- Let plaster dust or any other construction residues reach the hood. During construction/renovation, cover the range hood to make sure no dust sticks to the stainless steel surface.

Avoid: When choosing a detergent

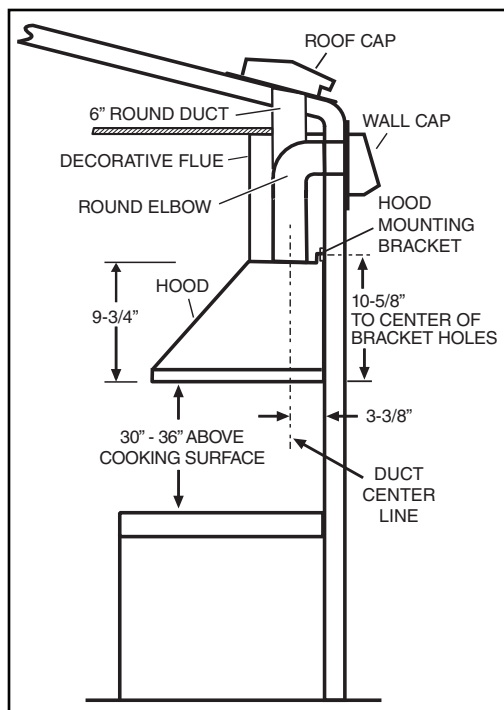
- Any cleaners that contain bleach will attack stainless steel
- Any products containing: chloride, fluoride, iodide, bromide will deteriorate surfaces rapidly.
- Any combustible products used for cleaning such as acetone, alcohol, ether, benzol, etc., are highly explosive and should never be used close to a range.

INSTALL THE DUCTWORK (Ducted Hoods Only)

1. Decide where the ductwork will run between the hood and the outside.
2. A straight, short duct run will allow the hood to perform most efficiently.
3. Long duct runs, elbows and transitions will reduce the performance of the hood. Use as few of them as possible. Larger ducting may be required for best performance with longer duct runs.
4. Install wall cap or roof cap. Connect round metal ductwork to cap and work back towards the hood location. Use duct tape to seal the joints between ductwork sections.



MEASURE THE INSTALLATION



The minimum hood distance above cooktop **MUST NOT BE LESS** than 30".

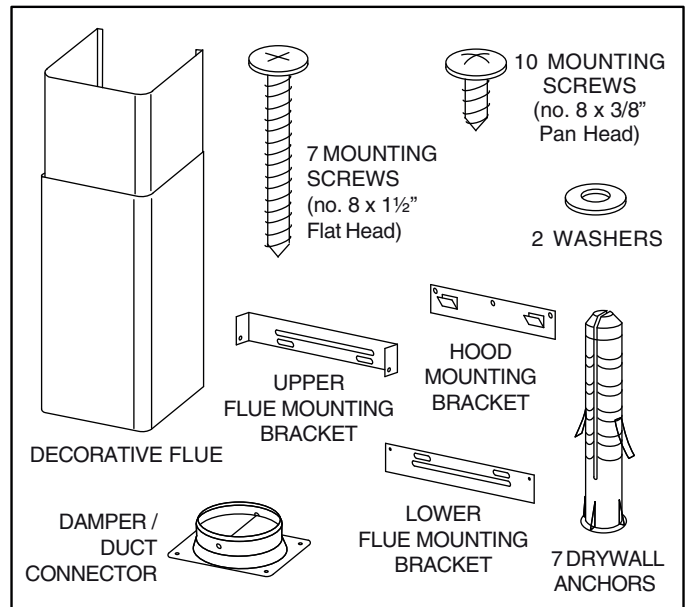
A maximum of 36" above cooktop is highly recommended for best capture of cooking impurities.

Distances over 36" are at the installer and users discretion; providing that the ceiling height permits.

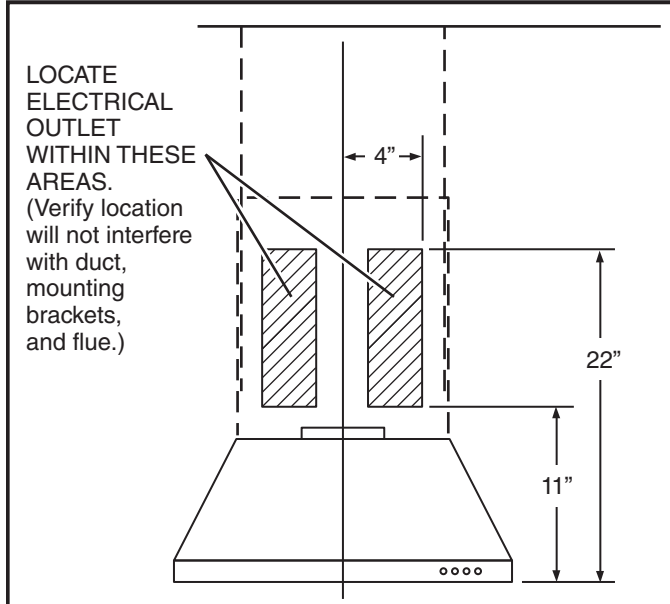
PREPARE THE HOOD

Unpack hood and check contents. You should receive:

- 1 - Hood
- 1 - Decorative Flue Assembly
- 1 - Damper / Duct Connector
- 1 - Lower Flue Mounting Bracket
- 1 - Upper Flue Mounting Bracket
- 1 - Hood Mounting Bracket
- 2 - Aluminum Grease Filters (installed in hood)
- 1 - Installation Manual
- 1 - Parts Bag containing:
 - 10 - Mounting Screws (#8 x 3/8" Pan Head)
 - 7 - Mounting Screws (#8 x 1-1/2" Flat Head)
 - 7 - Drywall Anchors
 - 2 - Washers



INSTALL THE WIRING



1. GROUNDING INSTRUCTIONS

This appliance must be grounded. In the event of an electrical short circuit, grounding reduces the risk of electric shock by providing an escape wire for the electric current. This appliance is equipped with a cord having a grounding wire with a grounding plug. The plug must be plugged into an outlet that is properly installed and grounded.

NOTE:

A recessed “clock” outlet is recommended.

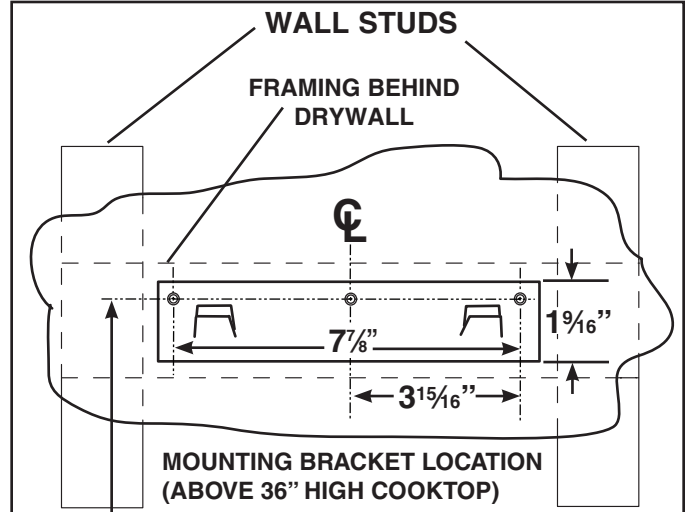
2. Position the electrical outlet within the space covered by the decorative flue and where it will not interfere with the round duct. Make sure the outlet does not interfere with the mounting bracket fastening area, ductwork, or where the decorative flue touches the wall.

CEILING HEIGHT	DUCT METHOD	HOOD DISTANCE ABOVE 36" COOK TOP (SEE NOTE 1)						
		30"	31"	32"	33"	34"	35"	36"
		MOUNTING BRACKET LOCATION ABOVE 36" HIGH COOK TOP						
8 FEET	DUCTED	40-5/8"	41-5/8"	42-5/8"	43-5/8"	44-5/8"	---	---
	NON-DUCTED	40-5/8"	41-5/8"	---	---	---	---	---
9 FEET	DUCTED	---	---	42-5/8"	43-5/8"	44-5/8"	45-5/8"	46-5/8"
	NON-DUCTED	---	---	42-5/8"	43-5/8"	44-5/8"	45-5/8"	46-5/8"
10 FEET	DUCTED	---	---	42-5/8"	43-5/8"	44-5/8"	45-5/8"	46-5/8"
	NON-DUCTED	---	---	42-5/8"	43-5/8"	44-5/8"	45-5/8"	46-5/8"

NOTE:

Minimum hood distance above cooktop must not be less than 30". Distances over 36" above the cooktop are at the installer's and user's discretion - providing that ceiling height and flue length permit.

INSTALL THE HOOD MOUNTING BRACKET



40% = bottom of hood 30" above cooktop

1. Construct wood wall framing that is flush with interior surface of wall studs. Make sure:
 - a) the framing is centered over installation location.
 - b) the height of the framing will allow the mounting bracket to be secured to the framing within the dimensions shown.
2. After wall surface is finished, carefully center and level the hood mounting bracket and secure it to wall framing with (3) no. 8 x 1½" mounting screws. Tighten the screws completely. NOTE: Do not use drywall anchors.

NOTE:

On 8-ft. ceilings

Hood distance above cooktop is:

Minimum 30", Maximum 34¾" (for ducted discharge)

Minimum 30", Maximum 31" (for non-ducted discharge)

On 9-ft. ceilings

Hood distance above cooktop is:

Minimum 32", Maximum 36" (for both ducted and non-ducted discharge)

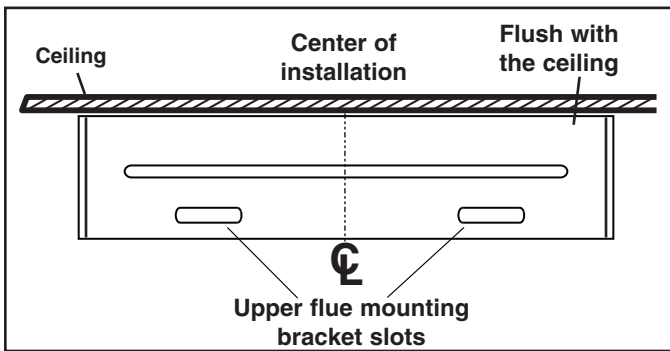
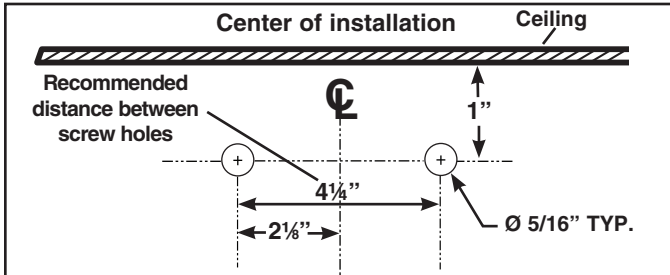
On 10-ft. ceilings

Hood distance above cooktop is:

Minimum 32", Maximum 36" (for both ducted and non-ducted discharge).

NOTE: 10-ft. ceilings require 10-ft. Flue Extension, Model FXN58SS for ducted or non-ducted installations (purchase separately).

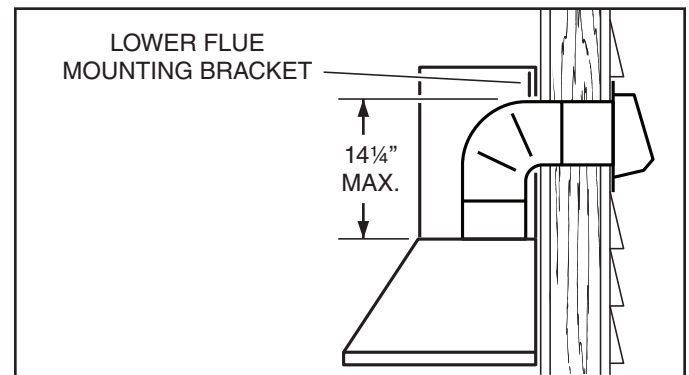
INSTALL UPPER FLUE MOUNTING BRACKET



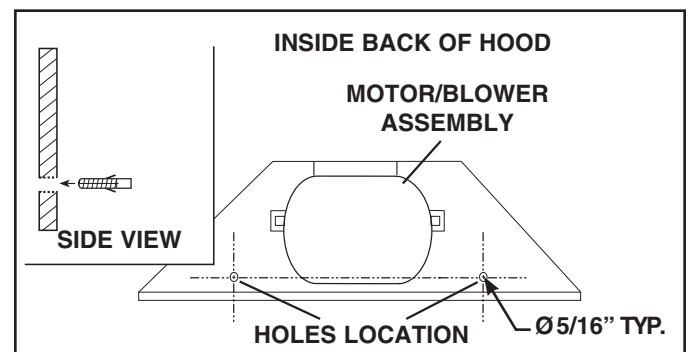
1. If a framing member is not present, drill two 5/16" diameter holes where shown. Insert drywall anchors into the holes.
2. Center the bracket over the hood location and flush with the ceiling. Make sure that the slots of the upper flue bracket are at the bottom. Secure the upper flue bracket to the wall using (2) no. 8 x 1 1/2" mounting screws.
3. Tighten the screws completely. Make sure that the bracket is tight against the wall.

INSTALL THE HOOD (Horizontally Ducted Hoods Only)

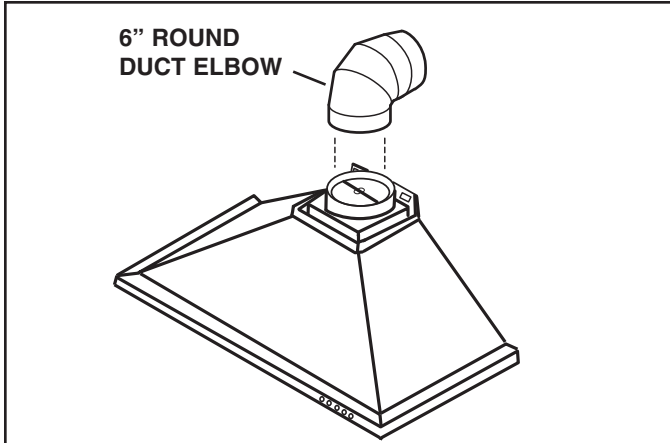
1. DO NOT REMOVE the protective plastic film covering the decorative flue and the hood at this time.
2. Lay the back side of the hood flat on a table. Use a piece of cardboard to avoid damaging the table or the hood.
3. Attach damper / duct connector to top of hood using (4) no. 8 x 3/8" Pan Head mounting screws.
4. Remove the grease filters by pulling down the metal latch tab and tilting filters downward to remove.
5. Carefully rotate hood upright.



6. To make sure there will be adequate clearance between top of hood and lower flue mounting bracket for ductwork: Elbow must be located below lower flue mounting bracket.
7. Align the hood and center it above the hood mounting bracket. Gently lower the hood until it securely engages the bracket.

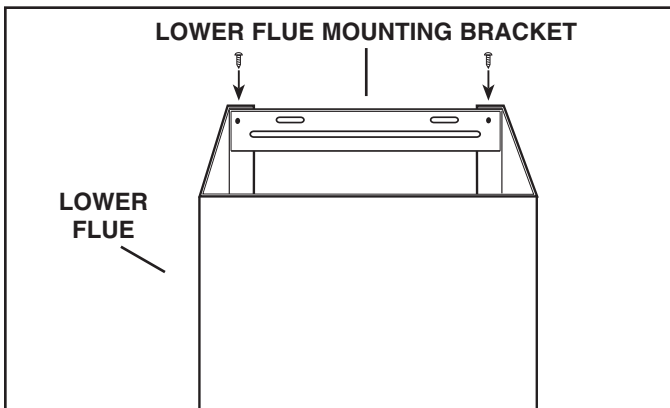


8. With the hood hanging in place, drill through both holes located in the inside lower back of hood using a 5/16" drill bit. Insert the included drywall anchors into the drilled holes (one for each hole). Install (2) washers and (2) no. 8 x 1 1/2" mounting screws through the hood back and into the drywall anchors. Verify that the hood is centered and leveled. Tighten all screws completely.
9. Reinstall grease filters by aligning rear filter tabs with slots in the hood. Pull down the metal latch tab, push filter into position and release. Make sure filters are securely engaged after installation.



10. Measure and install 6" round steel ductwork to roof cap or wall cap and 90° elbow over duct collar on hood. Use duct tape to make all joints secure and air tight.

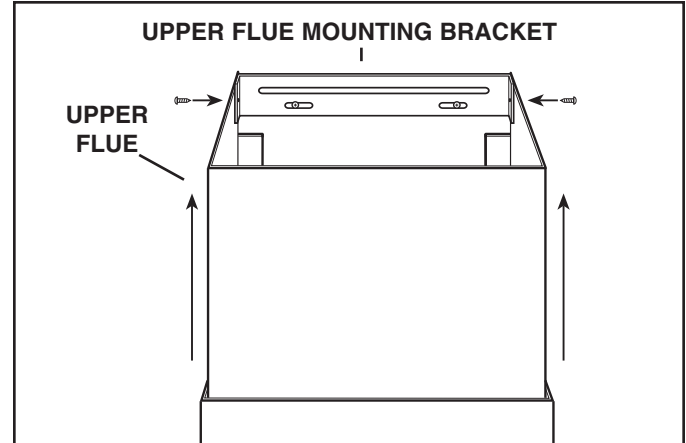
11. Plug hood power cord into the outlet.



NOTE: 10-ft. ceilings require 10-ft. Flue Extension Model FXN58SS (purchase separately). Discard the upper flue supplied with your hood and replace it with the Model FXN58SS flue extension.

12. Remove the upper flue from inside the lower flue. Install the lower flue bracket to the lower flue using (2) flue bracket screws (no. 8 x 3/8"). Make sure that the bracket is positioned inside of the lower flue flanges - with the slots on top. Carefully replace the upper flue inside the lower flue. Remove protective plastic film covering the lower flue only.

13. Carefully place both flues into the recessed area of hood top. Slightly push aside the upper flue to avoid any damage while installing the lower flue to the hood top using (2) no. 8 x 3/8" screws through the lower flue side slots.

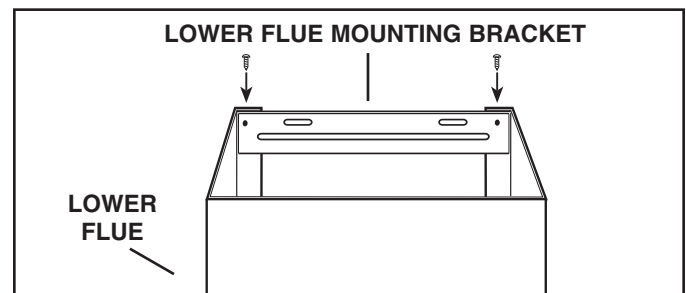


14. Slide the upper flue upward until it is aligned with its upper flue mounting bracket. The bracket should be inside the flue. Secure the upper flue to the upper flue mounting bracket using (2) no. 8 x 3/8" mounting screws.

15. Remove protective plastic film covering the upper flue and the hood.

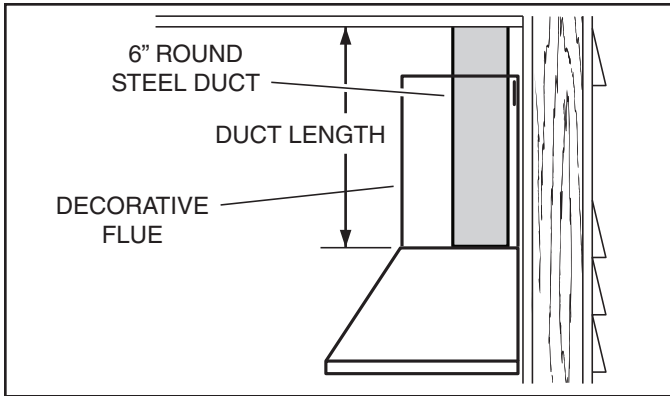
INSTALL THE HOOD (Vertically Ducted Hoods Only)

1. DO NOT REMOVE the protective plastic film covering the decorative flue and the hood at this time.
2. Lay the back side of the hood flat on a table. Use a piece of cardboard to avoid damaging the table or the hood.
3. Attach damper / duct connector to top of hood using (4) no. 8 x 3/8" Pan Head mounting screws.
4. Remove the grease filters by pulling down the metal latch tab and tilting filters downward to remove.
5. Carefully rotate hood upright.

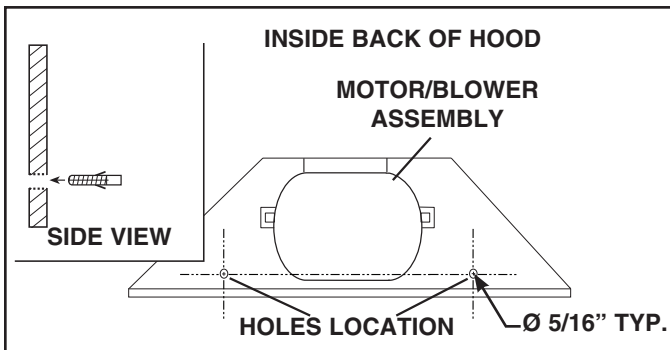


NOTE: 10-ft. ceilings require 10-ft. Flue Extension Model FXN58SS (purchase separately). Discard the upper flue supplied with your hood and replace it with the Model FXN58SS flue extension.

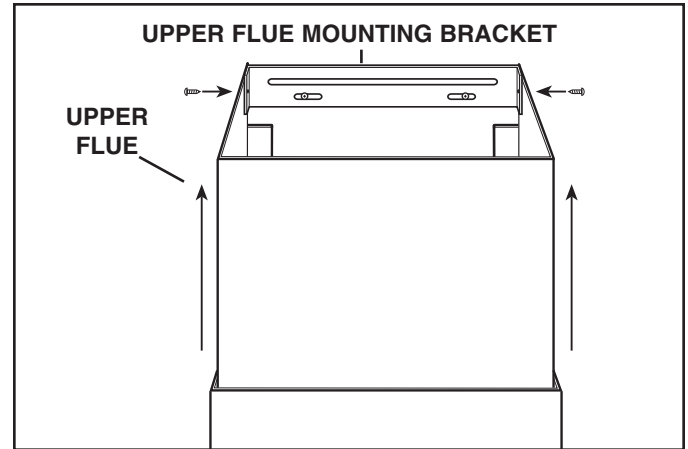
6. Remove the upper flue from inside the lower flue. Install the lower flue bracket to the lower flue using (2) flue bracket screws (no. 8 x 3/8"). Make sure that the bracket is positioned inside of the lower flue flanges - with the slots on top. Carefully replace the upper flue inside the lower flue. Remove protective plastic film covering the lower flue only.
7. Carefully place both flues into the recessed area of hood top.



8. Measure and install 6" round steel ductwork to hood duct connector. Use duct tape to make all joints secure and air tight.
9. Hold hood up close to wall mounting location and plug power cord into wall outlet.
10. Align the hood and center it above the hood mounting bracket. Make sure ductwork on hood lines up and attaches to ductwork in ceiling. Gently lower the hood until it securely engages the bracket.
11. Use duct tape to make all joints secure and air tight.



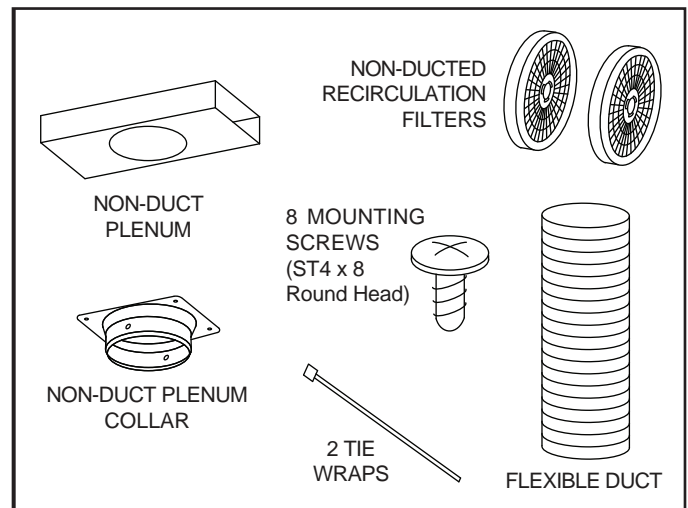
12. With the hood hanging in place, drill through both holes located in the inside lower back of hood using a 5/16" drill bit. Insert the included drywall anchors into the drilled holes (one for each hole). Install (2) washers and (2) no. 8 x 1½" mounting screws through the hood back and into the drywall anchors. Verify that the hood is centered and leveled. Tighten all screws completely.
13. Reinstall grease filters by aligning rear filter tabs with slots in the hood. Pull down the metal latch tab, push filter into position and release. Make sure filters are securely engaged after installation.
14. Slightly push aside the upper flue to avoid any damage while installing the lower flue to the hood top using (2) no. 8 x 3/8" screws through the lower flue side slots.



15. Slide the upper flue upward until it is aligned with its upper flue mounting bracket. The bracket should be inside the flue. Secure the upper flue to the upper flue mounting bracket using (2) no. 8 x 3/8" mounting screws.
16. Remove protective plastic film covering the upper flue and the hood.

INSTALL THE HOOD (Non-Ducted Hoods Only)

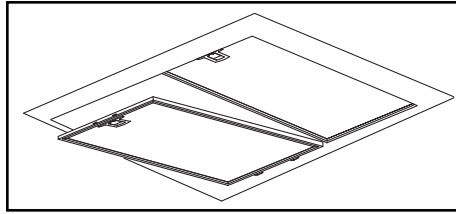
NON-DUCT KIT MODEL RK58 CONTENTS



NOTE: Non-ducted installations require Non-Duct Kit, Model RK58 (purchase separately).

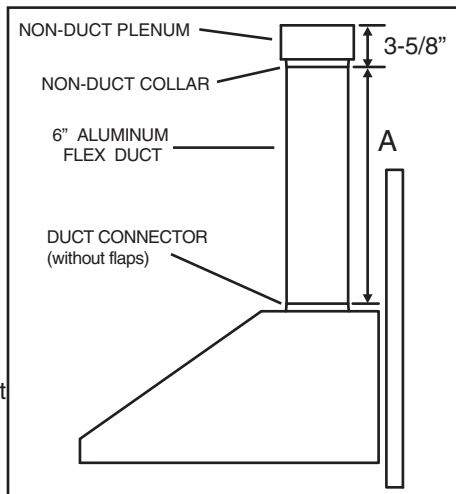
1. CAUTION: Use only flexible duct provided.
2. Do not remove the protective plastic film covering the decorative flue and the hood at this time.
3. Lay the back side of the hood flat on a table. Use a piece of cardboard to avoid damaging the table or the hood.
4. Attach damper / duct connector to top of hood using (4) no. 8 x 3/8" Pan Head mounting screws.
5. Remove damper flaps from damper / duct connector and discard flaps.

- Remove the grease filters by pulling down the metal latch tab and tilting filters downward to remove.



- Attach non-duct collar to non-duct plenum using (4) no. 8 x 3/8" pan head screws.

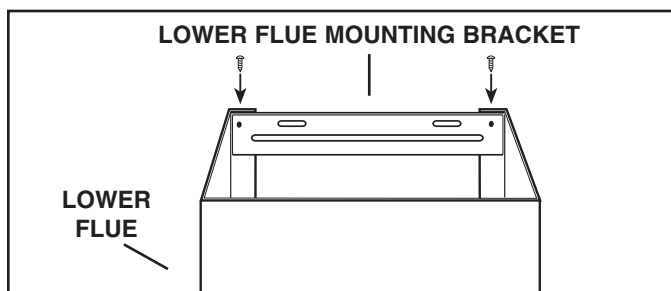
- Measure distance "A". This will be the length of the extended flex duct.



- Attach aluminum flexible duct to the damper / duct connector with a tie wrap.

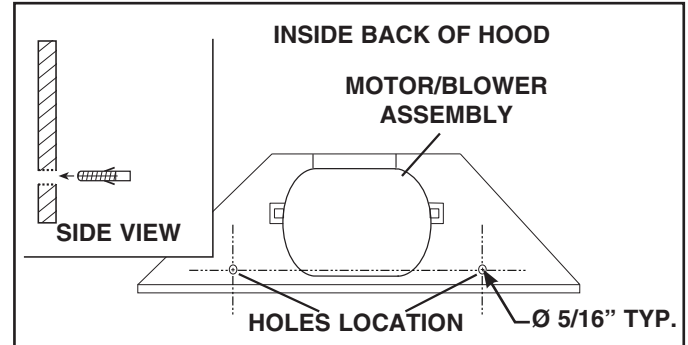
- Attach flexible duct to non-duct plenum collar and secure with tie wrap. Tape all joints with duct tape.

NOTE: 10-ft. ceilings require 10-ft. Flue Extension Model FXN58SS (purchase separately). Discard the upper flue supplied with your hood and replace it with the Model FXN58SS flue extension.



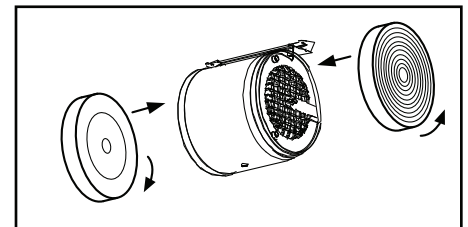
- Remove the upper flue from inside the lower flue. Install the lower flue bracket to the lower flue using (2) flue bracket screws (no. 8 x 3/8"). Make sure that the bracket is positioned inside of the lower flue flanges - with the slots on top. Carefully replace the upper flue inside the lower flue. Remove protective plastic film covering the lower flue only.
- Carefully place both flues into the recessed area of hood top. Slightly push aside the upper flue to avoid any damage while installing the lower flue to the hood top by using (2) no. 8 x 3/8" screws through the lower flue side slots.
- Attach non-duct plenum with collar to upper flue using (4) no. 8 x 3/8" pan head screws.

- Hold hood up close to wall mounting location and plug power cord into wall outlet.
- Align the hood and center it above the hood mounting bracket. Gently lower the hood until it securely engages the bracket.



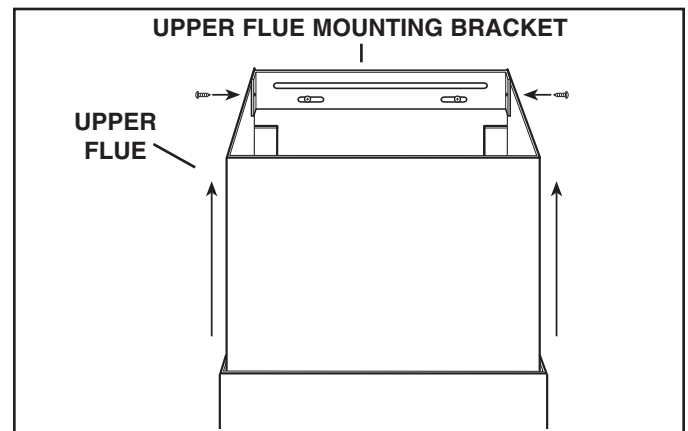
- With the hood hanging in place, drill through both holes located in the inside lower back of hood using a 5/16" drill bit. Insert the included drywall anchors into the drilled holes (one for each hole). Install (2) washers and (2) no. 8 x 1 1/2" mounting screws through the back of the hood and into the drywall anchors. Verify that the hood is centered and leveled. Tighten all screws completely.

- Attach (2) two non-duct recirculation filters to sides of blower by aligning key lock slot and rotating until filters lock into place.



For replacement non-duct recirculation filters - purchase S97018030 or ROUNDFILTER.

- Reinstall grease filters by aligning rear filter tabs with slots in the hood. Pull down the metal latch tab, push filter into position and release. Make sure filters are securely engaged after installation.



- Slide up the upper flue upward until it is aligned with its upper flue mounting bracket. The bracket should be inside the flue. Secure the upper flue to the upper flue mounting bracket using (2) no. 8 x 3/8" mounting screws.
- Remove protective plastic film covering the flue and the hood.

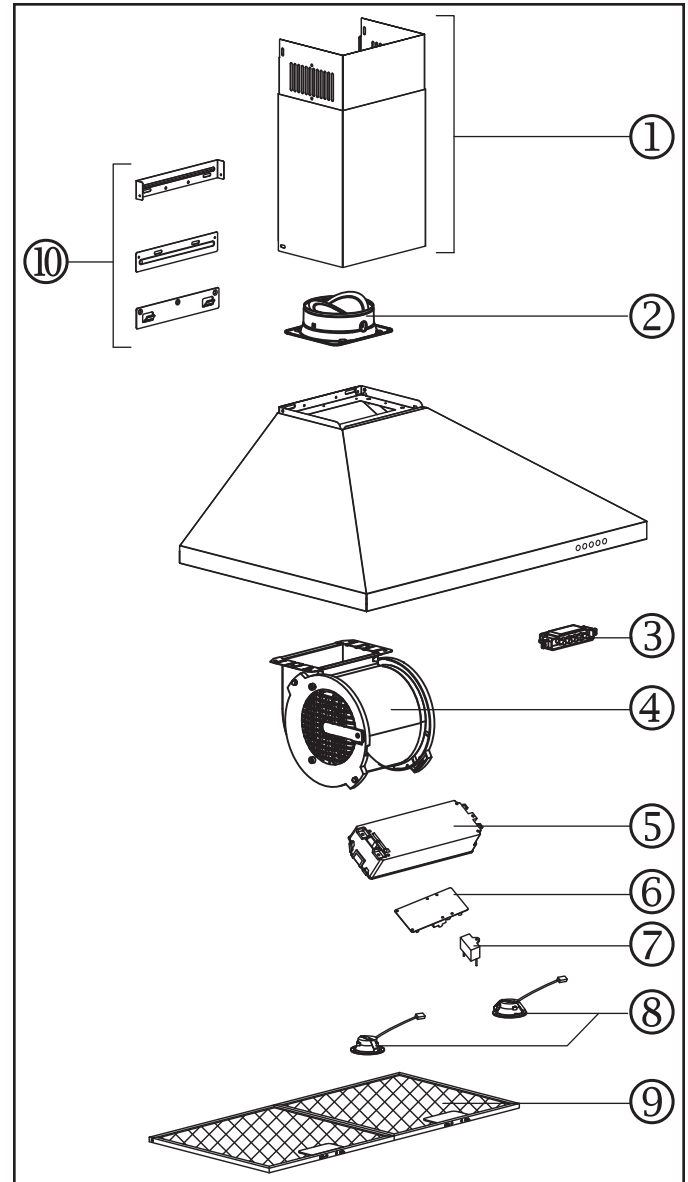
SERVICE PARTS

KEY	PART NO.	DESCRIPTION	QTY.
1	S99526972	Decorative Upper and Lower Flues	1
2	S99526983	Damper / Duct Connector	1
3	S99529086	Control Assembly	1
4	S1103298	Motor / Blower Assembly**	1
5	S99529088	Plastic Box of PCB	1
6	S99529089	Main PCB	1
7	S1103300	Capacitor	1
8	S99529091	LED Module 5.5 W	2
9	S97018027	Aluminum Grease Filters (2 per hood) BW5030SSL	1
	S97018028	Aluminum Grease Filters (3 per hood) BW5036SSL	1
10	S99528929	Mounting Bracket (set of 3)	1
	S99526993	Parts Bag (not shown)	1
	S97018030	Non-Duct Recirculation Filters (pair)(not shown) *	1
	S99526992	Non-Duct Plenum Assembly (not shown) *	1
	S99526984	6" Dia. Expand. Flex. Aluminum Duct (not shown) *	1

* Included with optional Non-Duct Kit - Model RK58.

Order service parts by Part No. - not by Key No.

** Capacitor (item 7) must also be replaced when replacing the Motor/Blower assembly (item 4).



REPLACEMENT PARTS AND REPAIRS

In order to ensure your unit remains in good working condition, you must use Broan-NuTone LLC or Venmar Ventilation ULC genuine replacement parts only. Broan-NuTone LLC or Venmar Ventilation ULC genuine replacement parts are specially designed for each unit and are manufactured to comply with all the applicable certification standards and maintain a high standard of safety. Any third party replacement part used may cause serious damage and drastically reduce the performance level of your unit, which will result in premature failing. Broan-NuTone LLC and Venmar Ventilation ULC recommend to contact a certified service depot for all replacement parts and repairs.