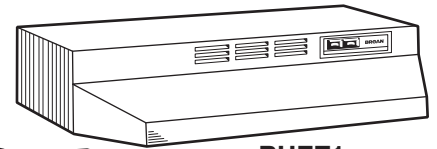
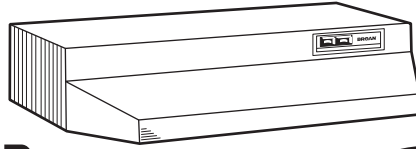
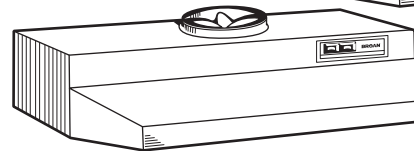




BUEZ0 HOOD



BUEZ1 HOOD



BUEZ2 HOOD

# ECONOMY RANGE HOOD INSTALLATION INSTRUCTIONS

## READ AND SAVE THESE INSTRUCTIONS

**! INTENDED FOR DOMESTIC COOKING ONLY !**

### WARNING

**TO REDUCE THE RISK OF FIRE, ELECTRIC SHOCK, OR INJURY TO PERSONS, OBSERVE THE FOLLOWING:**

1. Use this unit only in the manner intended by the manufacturer. If you have questions, contact the manufacturer at the address or telephone number listed in the warranty.
2. Before servicing or cleaning unit, switch power off at service panel and lock service panel to prevent power from being switched on accidentally. When the service disconnecting means cannot be locked, securely fasten a prominent warning device, such as a tag, to the service panel.
3. Installation work and electrical wiring must be done by a qualified person(s) in accordance with all applicable codes and standards.
4. Sufficient air is needed for proper combustion and exhausting of gases through the flue (chimney) of fuel burning equipment to prevent backdrafting. Follow the heating equipment manufacturer's guideline and safety standards such as those published by the National Fire Protection Association (NFPA), and the American Society for Heating, Refrigeration and Air Conditioning Engineers (ASHRAE), and the local code authorities.
5. When cutting or drilling into wall or ceiling, do not damage electrical wiring and other hidden utilities.
6. Ducted fans must always be vented to the outdoors.
7. Do not use this unit with any solid-state speed control device.
8. To reduce the risk of fire, use only metal ductwork.
9. Use with approved cord-connection kit only.
10. This unit must be grounded.

**TO REDUCE THE RISK OF A RANGE TOP GREASE FIRE:**

1. Never leave surface units unattended at high settings. Boilovers cause smoking and greasy spillovers that may ignite. Heat oils slowly on low or medium settings.
2. Always turn hood ON when cooking at high heat or when cooking flaming foods.
3. Clean ventilating fans frequently. Grease should not be allowed to accumulate on fan or filter.
4. Use proper pan size. Always use cookware appropriate for the size of the surface element.

**TO REDUCE THE RISK OF INJURY TO PERSONS IN THE EVENT OF A RANGE TOP GREASE FIRE, OBSERVE THE FOLLOWING:\***

1. SMOTHER FLAMES with a close-fitting lid, cookie sheet, or metal tray, then turn off the burner. BE CAREFUL TO PREVENT BURNS. If the flames do not go out immediately, EVACUATE AND CALL THE FIRE DEPARTMENT.
2. NEVER PICK UP A FLAMING PAN - You may be burned.
3. DO NOT USE WATER, including wet dishcloths or towels - a violent steam explosion will result.
4. Use an extinguisher ONLY if:
  - A. You know you have a Class ABC extinguisher and you already know how to operate it.
  - B. The fire is small and contained in the area where it started.
  - C. The fire department is being called.
  - D. You can fight the fire with your back to an exit.

\*Based on "Kitchen Firesafety Tips" published by NFPA.

### CAUTION

1. For indoor use only.
2. For general ventilating use only. Do not use to exhaust hazardous or explosive materials and vapors.
3. To avoid motor bearing damage and noisy and/or unbalanced impellers, keep drywall spray, construction dust, etc. off power unit.
4. For best capture of cooking impurities, your range hood should be mounted 20-25" above the cooking surface.
5. Please read specification label on product for further information and requirements.

**IMPORTANT: OBSERVE ALL GOVERNING CODES AND ORDINANCES**

Your range hood has been designed to filter out smoke, odors, and grease which rise from the cooking surface. Before you begin the installation be sure that all parts and accessories are removed from carton. For best results and ease in the installation of this range hood, read the instructions sheet to become familiar with the step-by-step installation.

### TOOLS AND MATERIALS REQUIRED

- Drill, electric or ratchet drive
- 1/8" drill bit for drilling pilot holes
- 7/64" drill bit to drill holes for EZ1 brackets mounting screws
- 1-1/4" wood bit for drilling electrical wiring access hole
- One common head screwdriver for securing hood mounting screws to the cabinet and hood sheet metal parts
- Pliers for opening knockouts
- Pencil, rule and level for marking cabinet locations
- Saber saw or keyhole saw for cutting the wall or cabinet openings
- Metal snips, duct tape, duct (with elbows and transition, if necessary), roof cement or caulk, and roof or wall cap, as required
- Electrical wiring and supplies of type to comply with local codes

The following materials are required only for installation on recessed bottom kitchen cabinets:

- Two 1" x 2" x 12" (approximate length) wood strips (purchase locally)
- Four 1-1/4" long flat head wood screws (purchase locally)

### INSTALLER:

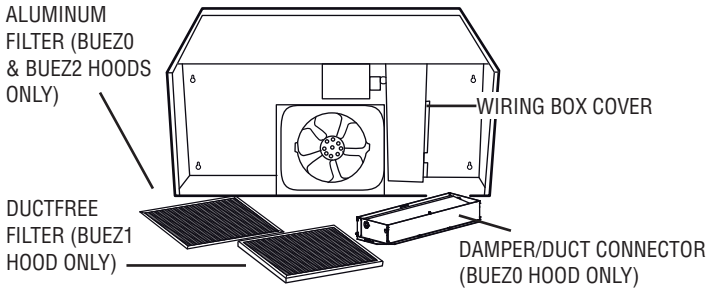
LEAVE THIS MANUAL WITH THE HOMEOWNER.

### HOMEOWNER:

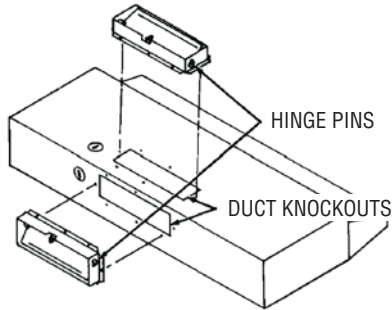
USE AND CARE INSTRUCTIONS ON PAGE 4.

# PREPARING THE HOOD

- Unpack hood and check contents. You should receive:
  - 1 – Aluminum filter (BUEZ0 and BUEZ2 hoods only)
  - 1 – 3-1/4" x 10" damper/duct connector, mounted inside of hood for shipping only (BUEZ0 hood only)
  - 1 – Ductfree filter (BUEZ1 hood only)
  - 1 – Installation parts bag (under wiring box cover)
  - 1 – Set of EZ1 brackets (under wiring box cover)



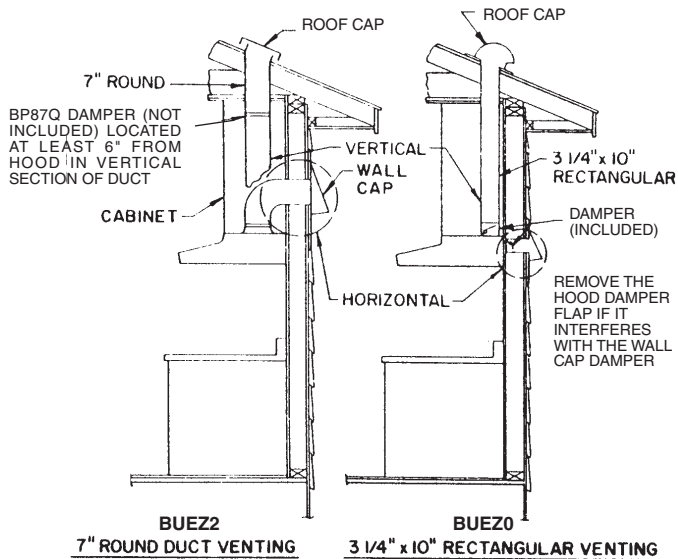
- Remove wiring box cover. Remove EZ1 brackets and parts bag from behind wiring box.
- Remove top or rear electrical knockout. Install an appropriate strain relief.
- BUEZ0 hood only: Remove rear or top duct knockout. Install damper/duct connector over opening made. Use 2 no. 8B sheet metal screws provided.



# PLANNING DUCTWORK INSTALLATION

This section is for BUEZ0 and BUEZ2 hoods only. For BUEZ1 hoods, skip this section and go to "Preparing the Installation Location".

Begin planning ductwork by deciding where duct will run between hood and outside. For best performance, use shortest possible duct run and a minimum number of elbows. There are several choices.



Ducting directly through the wall (for range hoods mounted on an exterior wall). Shown are two ways to duct through an outside wall. If a wall cap is used directly off the back of the hood, special care must be taken to make sure that the damper in the damper/duct connector on the hood and damper in the wall cap do not interfere with each other when the hood is operating. This could result in either inadequate air delivery or back drafts. If this condition does exist, remove the hood damper flap. Sometimes when using a wall cap, it is easier to duct vertically and then use an elbow.

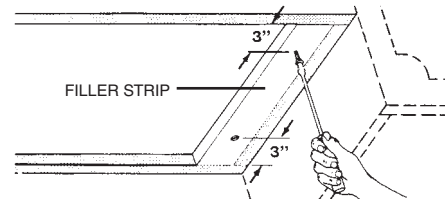
Start at the exterior and run ductwork back to the range hood. For best performance, use the shortest possible duct run and a minimum number of elbow. Tape all duct connections using metal foil duct tape.

# PREPARING THE INSTALLATION LOCATION

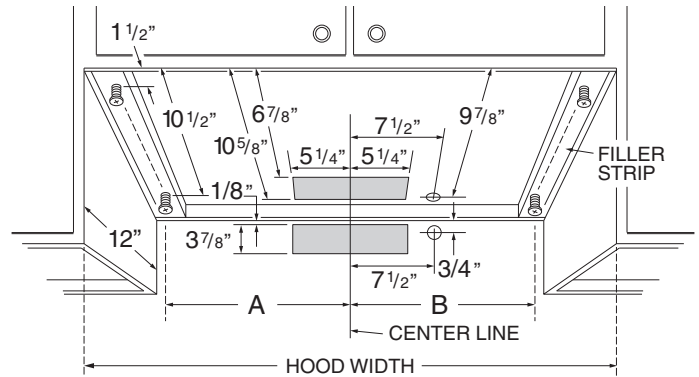
**NOTE: MOUNT HOOD SO THAT BOTTOM OF HOOD IS 18" TO 24" ABOVE COOKING SURFACE. TOP FRONT OF HOOD SHOULD BE FLUSH WITH FRONT OF CABINET FRAME.**

**IF DISTANCE BETWEEN WALL AND FRONT OF CABINET FRAME IS MORE THAN 12", THERE WILL BE A SPACE BETWEEN BACK OF HOOD AND WALL. THIS IS NORMAL.**

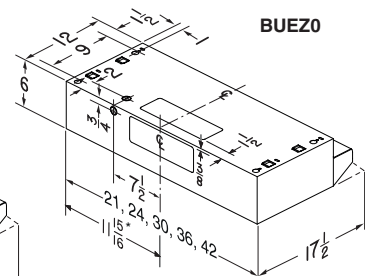
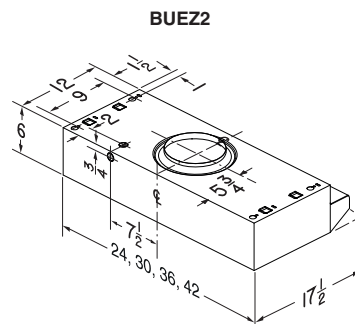
**OMIT STEP 1 IF HOOD WILL BE INSTALLED UNDER CABINETS WITH FLUSH BOTTOM OR INSTALLED USING THE EZ1 BRACKETS.**



- For cabinets with recessed bottoms only, if not using EZ1 brackets: Install wood filler strips on each side of recessed area under cabinet. Use two 1" x 2" strips cut to length (use thicker strips if necessary). Fasten strips with wood screws about 3" in from each end.
- Measure and mark the following:
  - Electrical wiring opening in wall or cabinet.
  - Duct opening in wall or cabinet (BUEZ0 and BUEZ2 hoods only).



A = 7-15/16" FOR 21" RANGE HOODS	A & B = 13-15/16" FOR 30" RANGE HOOD
B = 10-15/16" FOR 21" RANGE HOODS	A & B = 16-15/16" FOR 36" RANGE HOOD
A & B = 10-15/16" FOR 24" RANGE HOODS	A & B = 19-15/16" FOR 42" RANGE HOOD



\* Duct cutouts not centered on 21" hood width.

**WARNING: WHEN CUTTING OR DRILLING INTO WALL OR CABINET, BE CAREFUL NOT TO CUT EXISTING ELECTRICAL WIRING.**

3. Drill 1-1/4" electrical wiring opening in wall or cabinet bottom.
4. Drill four pilot holes in corners of marked duct opening and cut opening with saber or keyhole saw (BUEZ0 and BUEZ2 hoods **only**).

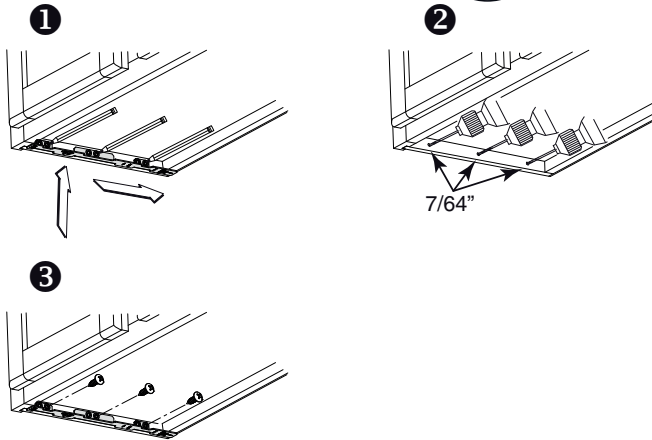
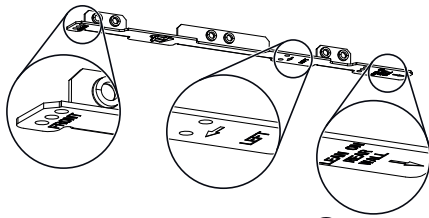
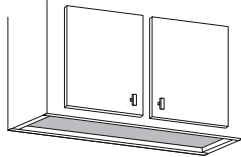
## INSTALLING THE RANGE HOOD

This manual covers 2 kinds of installation: the standard (without EZ1 brackets) and the EZ1 one-person installation system. **If the cabinet is wider than the range hood width, please use the standard installation method.** For the standard installation, go to page 4.

### EZ1 ONE-PERSON INSTALLATION SYSTEM

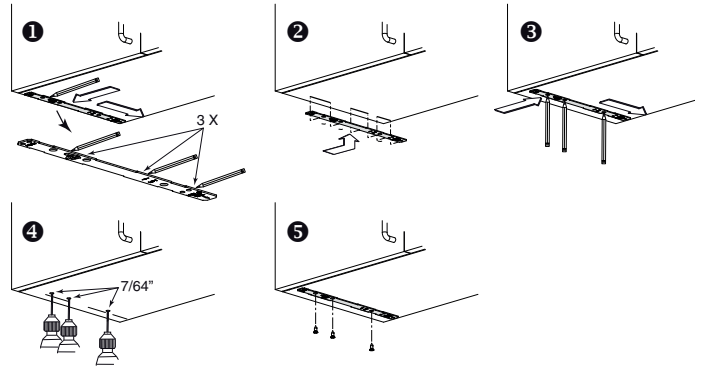
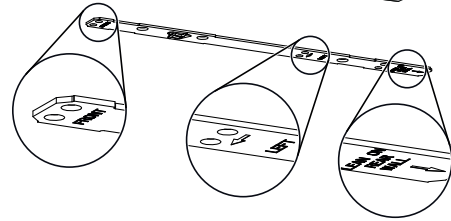
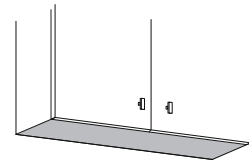
Use the appropriate brackets according to the kitchen cabinet type. Refer to the marking on the brackets to determine the correct installation side and orientation.

#### FRAMED CABINET



1. Mate the corresponding bracket to the cabinet side frame, while placing rear end of bracket against the wall. Use a pencil to mark 3 holes (there are 6 holes but only 3 are necessary).
2. Remove the bracket. Using a 7/64" drill bit, drill 3 holes where marked.
3. Assemble the bracket to the side frame using a Phillips screwdriver and 3 provided round head no. 8 x 5/8" wood screws. Repeat for the other side frame.

#### FRAMELESS CABINET

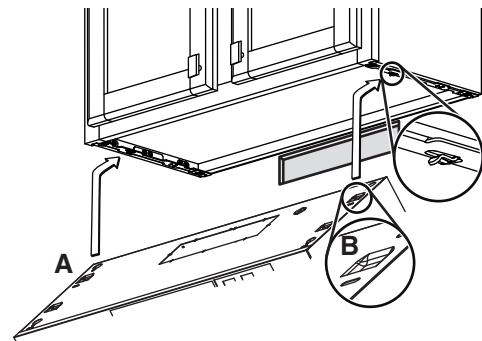


1. Align the corresponding bracket to the cabinet side, while placing rear end of bracket against the wall. Draw a line on the outer edge of the bracket (as shown).
2. Slide the bracket towards the center of cabinet and align the outside edge of the bracket with the marked line, keeping the rear end edge leaning on the wall.
3. Use a pencil to mark 3 holes.
4. Remove the bracket. Using a 7/64" drill bit, drill 3 holes where marked.
5. Assemble the bracket to the cabinet bottom using a Phillips screwdriver and 3 provided countersunk wood screws. Repeat for the other cabinet side.

The following procedure applies to both framed or frameless cabinet installations.

#### HORIZONTAL EXHAUST INSTALLATION ONLY

1. Pull house power cable out.
2. Temporarily hang the hood on the brackets using its 2 recessed REAR HOLES (A and B). **While holding the hood**, run the house power cable into the hood through the strain relief previously installed.
3. Unhook the rear holes from the brackets and hang the hood using its 2 recessed FRONT HOLES. **While holding the hood**, attach the power cable to the hood using the strain relief.

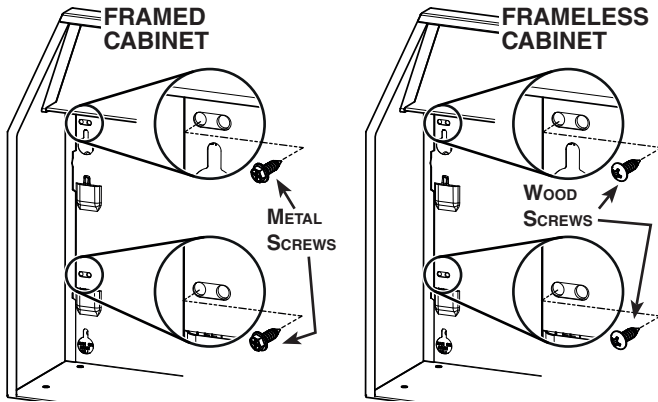


#### VERTICAL EXHAUST INSTALLATION ONLY

1. Pull house power cable out.
2. Hang the hood on the brackets using the 2 recessed FRONT HOLES. **While holding the hood**, run the house power cable into the hood through the strain relief previously installed. Attach power cable to the hood.

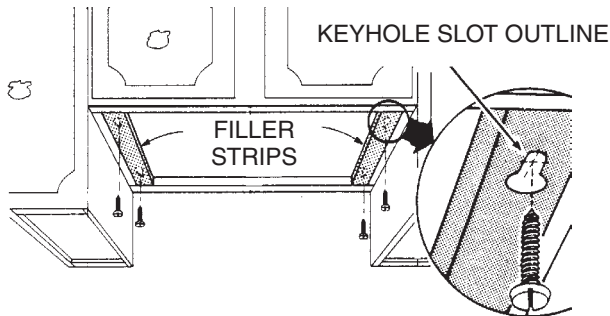
**For framed cabinet,** secure the hood to the EZ1 brackets using 4 no. 8-18 x 1/2" metal screws (included). Insert 2 screws per side, in the slots.

**For frameless cabinet,** secure the hood to the cabinet using 4 no. 8 x 5/8" round head wood screws (included). Insert 2 screws per side, in the slots.



## STANDARD INSTALLATION

1. Hold hood up against cabinet bottom and trace keyhole slots onto cabinet bottom or filler strips.

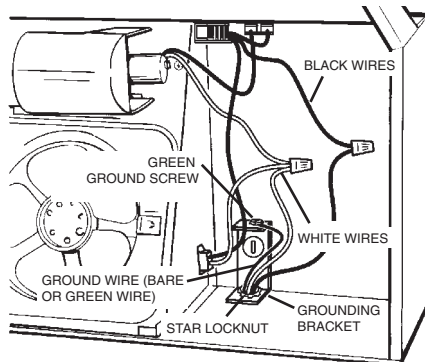


2. Screw the four supplied screws for mounting the hood into the exact center of the narrow end of the keyhole slots marked underneath the cabinet. Allow 3/8" of the screws to project, so the hood can be fitted into place.
3. Run electric wiring through hole drilled in wall or cabinet. Split wiring for 6" and run the house power cable into the hood through the strain relief previously installed. Attach power cable to the hood.
4. Position hood so that:
  - a.) Large part of keyhole slots fit over hood mounting screws.
  - b.) Damper/duct connector slides into ductwork (BUEZ0 hoods **only**)
5. Adjust hood so that hood front is flush with cabinet frame.
6. Tighten hood mounting screws firmly.

## CONNECT THE WIRING

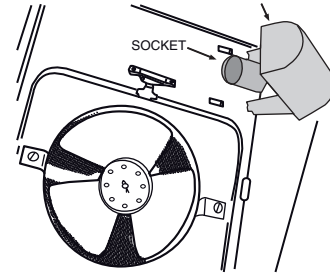
**WARNING: TURN OFF THE PROPER CIRCUIT AT THE SERVICE ENTRANCE BEFORE WIRING THIS RANGE HOOD. ALL ELECTRICAL CONNECTIONS MUST BE MADE IN ACCORDANCE WITH LOCAL CODES, ORDINANCES, OR NATIONAL ELECTRICAL CODE. IF YOU ARE UNFAMILIAR WITH METHODS OF INSTALLING ELECTRICAL WIRING, SECURE THE SERVICES OF A QUALIFIED ELECTRICIAN.**

1. Make electrical connection using wire nuts to connect WHITE wire to WHITE, BLACK wire to BLACK, and GREEN or bare wire to GREEN ground screw provided.
2. Replace wiring box cover and screw, taking care not to pinch wires.



## FINALIZE THE INSTALLATION

1. Install light bulb (75 watts maximum). For easier installation, squeeze plastic lens and remove it from hood. Remember to reinstall lens.



2. Turn on power and check operation of fan and light. Make sure that damper operates freely (BUEZ0 hoods **only**).

## USE AND CARE

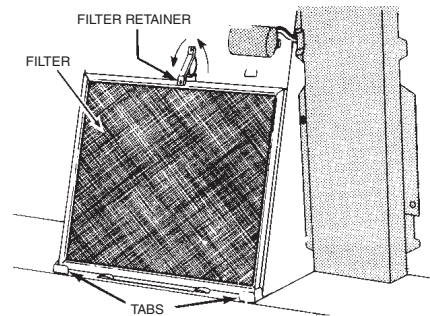
### SWITCHES

The fan and light are each controlled by a rocker switch. The light switch has two positions, "ON" and "OFF." The fan switch has three positions - "HIGH," "LOW" and "OFF." ("OFF" is the middle position.)

### FILTERS

#### BUEZ0, BUEZ2 Hoods Only:

Remove aluminum filter by turning filter retainer to one side. Filter should be washed once a month in a hot detergent solution. Aluminum filters are dishwasher safe. When installing filter, make sure that filter slides under retaining tabs on back of fan housing. Turn filter retainer so that arrows on retainer point toward front and back of hood.



#### BUEZ1 Hoods Only:

The BUEZ1 hood is equipped with a ductfree filter. Remove filter by turning filter retainer to one side. (see illustration above) The ductfree filter is not washable, and will last up to twelve months with normal use. Replace the filter when colored side becomes noticeably dirty or discolored.

When installing filter, make sure that filter slides under retaining tabs on back of fan housing. **MAKE SURE THAT COLORED SIDE OF FILTER IS NEXT TO FAN WHEN FILTER IS INSTALLED.** Turn filter retainer so that arrows on retainer point toward front and back of hood.

### WARNING

**ALWAYS DISCONNECT ELECTRIC POWER BEFORE SERVICING RANGE HOOD.**

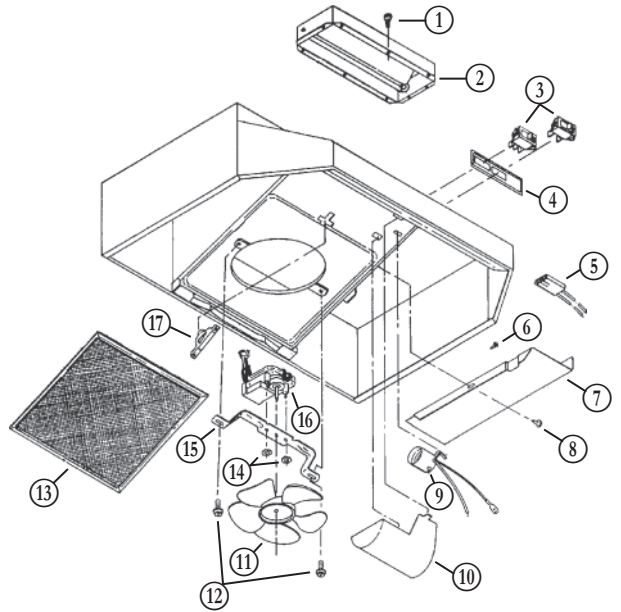
### CLEANING

Clean your hood with a mild detergent suitable for painted surfaces. **DO NOT USE ABRASIVE CLOTH, STEEL WOOL PADS OR SCOURING POWDERS.** Fan assembly is permanently lubricated, and never needs oiling. Clean motor with a damp cloth and grease-cutting detergent when a heavy coating of grease has accumulated.

# SERVICE PARTS

## BUEZO SERIES 3¼" x 10" DUCTED HOOD

Key No.	Part No.	Description
1	99150415	No. 8B x 1/4 Hex Head Sheet Metal Screws* (2 Required)
2	97005544	Damper Assembly
3	97016971 97016970	Fan & Light switches – White Fan & Light switches – Black
4	97010709 99090881	Nameplate - Black Nameplate - White
5	97005678	Motor Receptacle with Wires
6	99150471	No. 10-32 x 1/2 Green Ground Screw*
7	98006621	Outlet Box Cover
8	99170245	No. 8 x 3/8 Sheet Metal Screw*
9	99270987	Bulb Holder with Wires
10	99110437	Light Lens
11	99020272	Fan Blade
12	97011217	Screw/Nut Kit (Includes 2 - no. 10-16 x .500 screws and 2 - no. 10-16 sheet metal nuts)
13	97006931	Aluminum Filter
14	99260428	No. 6-32 Locking Nuts* (2 Required)
15	98005568	Motor Mounting Bracket
16	97012248	Motor Assembly (Includes Key Nos. 11, 14 & 15)
17	99420472	Filter Retainer
**	S97021374	EZ-1 Brackets
**	-----	Light Bulb, 75 watts (not included)



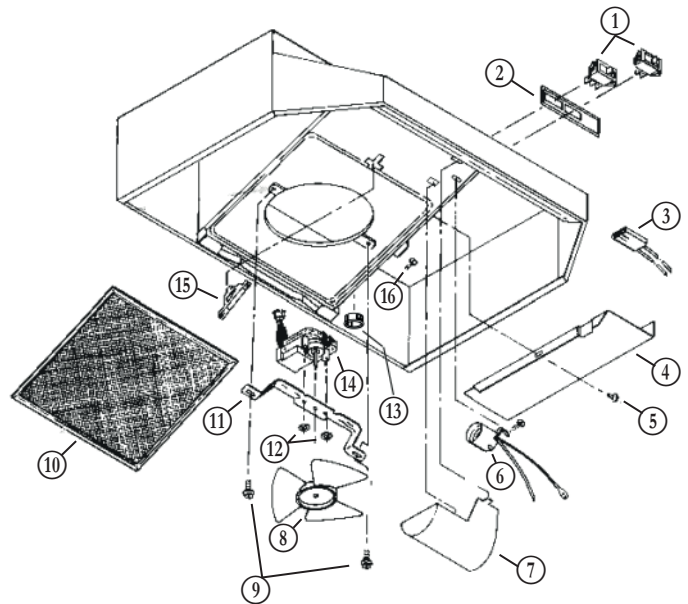
Order service parts by "PART NO." - NOT by "KEY NO."

\* Standard Hardware. May be purchased locally.

\*\* Not Illustrated.

## BUEZ1 SERIES

Key No.	Part No.	Description
1	97016971 97016970	Fan & Light switches – White Fan & Light switches – Black
2	97010709 99090882	Nameplate - Black Nameplate - White
3	97005678	Motor Receptacle with Wires
4	98006621	Outlet Box Cover
5	99170245	No. 8 x 3/8 Sheet Metal Screw*
6	99270987	Bulb Holder with Wires
7	99110437	Light Lens
8	99020287	Fan Blade
9	97011217	Screw/Nut Kit (Includes 2 - no. 10-16 x .500 screws and 2 - no. 10-16 sheet metal nuts)
10	97007696	Ductfree Filter
11	98005568	Motor Mounting Bracket
12	99260428	No. 6-32 Locking Nuts* (2 Required)
13	93400038	Grommet
14	97011220	Motor Assembly (Includes Key Nos. 8, 11 & 12)
15	99420472	Filter Retainer
16	99150471	No. 10-32 x 1/2 Green Ground Screw*
**	S97021374	EZ-1 Brackets
**	-----	Light Bulb, 75 watts (not included)



Order service parts by "PART NO." - NOT by "KEY NO."

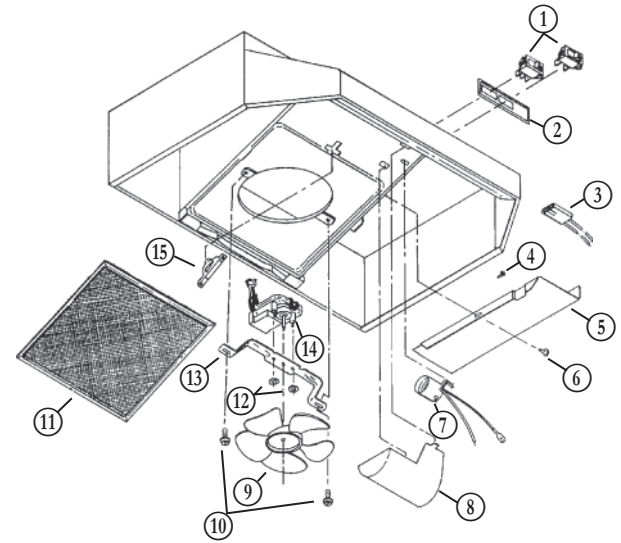
\* Standard Hardware. May be purchased locally.

\*\* Not Illustrated.

# SERVICE PARTS

## BUEZ2 SERIES 7" ROUND DUCTED HOOD

Key No.	Part No.	Description
1	97016971 97016970	Fan & Light switches – White Fan & Light switches – Black
2	97010709 99090881	Nameplate - Black Nameplate - White
3	97005678	Motor Receptacle with Wires
4	99150471	No. 10-32 x 1/2 Green Ground Screw*
5	98006621	Outlet Box Cover
6	99170245	No. 8 x 3/8 Sheet Metal Screw*
7	99270987	Bulb Holder with Wires
8	99110437	Light Lens
9	99020272	Fan Blade
10	97011217	Screw/Nut Kit (Includes 2 - no. 10-16 x .500 screws and 2 - no. 10-16 sheet metal nuts)
11	97006931	Aluminum Filter
12	99260428	No. 6-32 Locking Nuts* (2 Required)
13	98005568	Motor Mounting Bracket
14	97012248	Motor Assembly (Includes Key Nos. 9, 12 & 13)
15	99420472	Filter Retainer
**	S97021374	EZ-1 Brackets
**	-----	Light Bulb, 75 watts (not included)



Order service parts by "PART NO." - NOT by "KEY NO."

\* Standard Hardware. May be purchased locally.

\*\* Not Illustrated.