

BROAN® Model BP27 Fan Motor Assembly

READ AND SAVE THESE INSTRUCTIONS

WARNING

TO REDUCE THE RISK OF FIRE, ELECTRIC SHOCK, OR INJURY TO PERSONS, OBSERVE THE FOLLOWING:

1. Use this unit only in the manner intended by the manufacturer. If you have questions, contact the manufacturer.
2. Before servicing or cleaning unit, switch power off at service panel. Lock or tag service panel to prevent power from being switched on accidentally.
3. Installation work and electrical wiring (including switch location) must be done by a qualified person(s) in accordance with all applicable codes and standards.
4. Provide sufficient air for proper combustion and exhausting of gases through the flue (chimney) of fuel burning equipment to prevent backdrafting. Follow the combustion equipment standards such as those published by the National Fire Protection Association (NFPA), the American Society for Heating, Refrigeration and Air Conditioning Engineers (ASHRAE), and local codes.
5. This product may have sharp edges. Be careful to avoid cuts and abrasions during installation and cleaning.
6. When cutting or drilling into wall or ceiling, do not damage electrical wiring and other hidden utilities.
7. Ducted fans must always be vented to the outdoors.
8. Not for use in kitchens.
9. Acceptable for use over a bathtub or shower when installed in a GFCI protected branch circuit.
10. Do not use this fan with any solid-state speed control.
11. This unit must be grounded.

CAUTION

1. For general ventilating use only. Do not use to exhaust hazardous or explosive materials and vapors.
2. Install fan at least five feet (1.52 m) above floor.
3. To avoid motor bearing damage and noisy, unbalanced impellers, keep drywall spray, construction dust, etc. off motor and impeller.
4. Read specification label on product for information and requirements.

CLEANING & MAINTENANCE

- For quiet and efficient operation, long life, and attractive appearance – lower or remove grille and vacuum interior of fan with a dusting brush attachment.
- The motor is permanently lubricated and never needs oiling. If the motor bearings make excessive or unusual noise, replace the motor with the exact service motor. The impeller should also be replaced.
- To remove blower assembly - See step 3.

INSTALLATION

FOR USE ONLY WITH THESE BATH FAN MODELS	
BROAN	662, 668
	678-A, -B, -C, -D, -E, -F
	688-A, -B, -C, -D, -E
NAUTILUS	N678-A, -B, -C, -D, -E
	N688-A, -B, -C

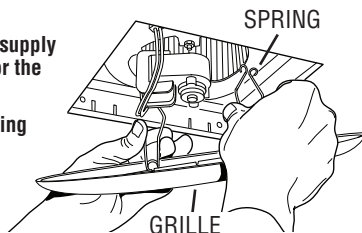
NO OTHER USAGE HAS BEEN TESTED OR AUTHORIZED BY BROAN-NUTONE LLC.

NOTE: YOUR FAN (INCLUDING GRILLE AND MOTOR PLATE) MAY LOOK DIFFERENT THAN WHAT IS SHOWN.

1. Disconnect the electrical power supply and lock out the service panel for the existing fan.

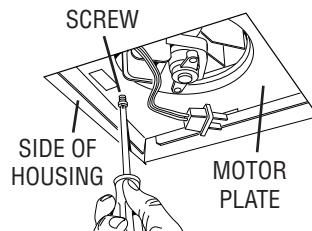
2. Remove the grille from the existing fan.

Pull grille down to expose two springs. Squeeze each spring together and pull down again to release springs from motor plate slots.



3. Remove fan motor / blower wheel assembly from existing fan.

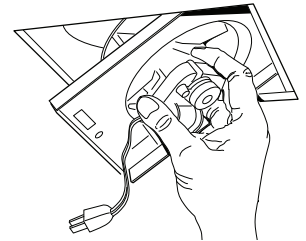
Unplug motor cord from receptacle and remove screw located next to receptacle. If necessary, insert a straight-blade screwdriver between motor plate and side of housing near the screw location and gently pry housing away from motor plate.



Pivot assembly down and out.

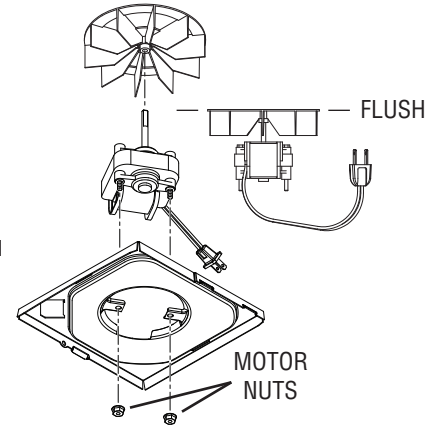
4. Check existing housing.

Vacuum the interior of the existing fan housing with a dusting brush attachment. Examine the housing to make sure it is securely fastened to the building structure and free of any holes caused by corrosion. The receptacle must be intact. If any damage is found, do not continue installation of this product. Contact a qualified person(s) for repair.



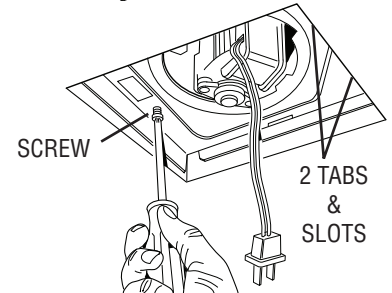
5. Replace old motor and blower wheel.

Remove two nuts holding old motor / blower wheel to motor plate. Discard old motor and blower wheel. Push new blower wheel onto new motor shaft so that it is flush with end of shaft. Attach new motor / blower wheel assembly to motor plate with two nuts.



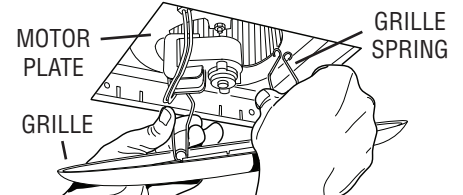
6. Install new assembly into existing fan housing.

Insert two motor plate tabs into slots in housing and pivot assembly up until it is touching the wiring box. Secure in place with existing screw. Plug in motor.



7. Install grille.

Squeeze one grille spring together and insert it into the matching slot in motor plate. Repeat with the other grille spring.



Push grille until it is tight against ceiling or wall.

