

# RANGE HOOD CORD KIT

## Installation Instructions

### WARNING

FOR USE WITH RANGE HOODS ONLY.

### GROUNDING INSTRUCTIONS

Range Hoods must be grounded. In the event of an electrical short circuit, grounding reduces the risk of electric shock by providing an escape wire for the electric current. After attaching this cord kit to the range hood, it is equipped with a cord having a grounding wire with a grounding plug. The plug must be plugged into an outlet that is properly installed and grounded.

**WARNING** - Improper grounding can result in a risk of electric shock.

Consult a qualified electrician if the grounding instructions are not completely understood, or if doubt exists as to whether the range hood is properly grounded.

Do not use an extension cord. If the power supply cord is too short, have a qualified electrician install an outlet near the appliance.

#### **This kit includes the following:**

- (1) 36" Cord & Plug with Cord Connector
- (1) Anti-Rotation Plate with Lock Bushing
- (2) Wire Nuts

### CAUTION

TO REDUCE THE RISK OF FIRE AND ELECTRICAL SHOCK, THIS RANGE HOOD CORD-CONNECTION KIT IS U.L. CLASSIFIED ONLY FOR USE WITH THE RANGE HOOD MODEL SERIES LISTED BELOW:

#### BROAN SERIES

40000, 41000, 42000,  
43000, 46000, BCDF1,  
BCDJ1, BCSD1,  
BCSEK1, BKDB1,  
BKDEG1, BKSA1,  
BKSH1, TEN1, TEN2,  
BPDP1, ALT1, ALT2,  
ALT3, CLDA1, CLDH1,  
CLSC1, CRDE1,  
CRSF1, SPE1 and  
ALT4

#### NUTONE SERIES

RL, ACS, AR1,  
AHDA1, AHSA1,  
AVDF1, AVSF1  
and NPDP1

#### KENMORE SERIES

5094, 5104, 5134, 5164, 5184, 5324, 5334,  
5128, 5139, 5141, 5129, 5126, 5135 and 5140

Other cord kits are not U.L. Classified - unless the specific model numbers are listed.

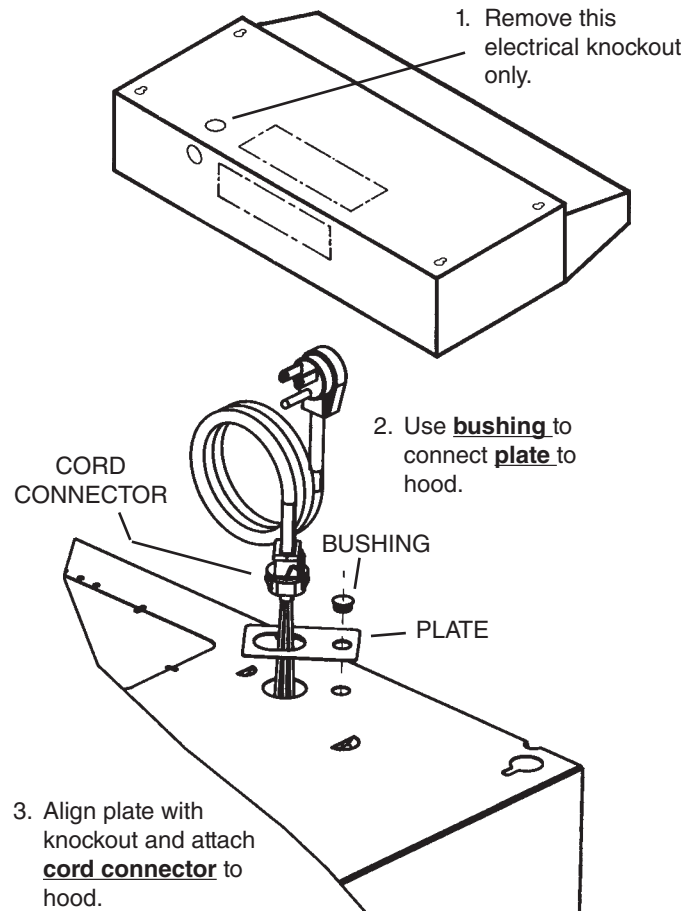
### ELECTRICAL RECEPTACLE LOCATION

A grounded, electrical receptacle for this cord kit must be in a location that will not allow the cord to come in contact with any heat source. Inside the cabinet above the range is the most common location.

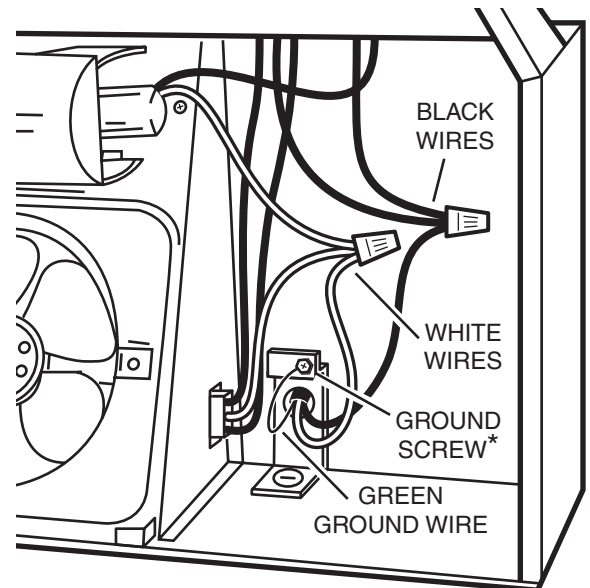
**Do not plug into receptacles that would permit cord to come into contact with heat sources.**



### CORD KIT INSTALLATION



### WIRING CONNECTIONS



4. Connect **black wires** together. Connect **white wires** together. Connect **green ground wire** beneath **ground screw**.

\* If the range hood has an internal ground connection beneath a ground screw, A SECOND GROUND SCREW MUST BE USED for the cord kit ground.



## **Additional Information for Range Hoods meeting ADA Compliance**

Broan and NuTone branded residential range hoods can be installed to comply with Sections 308 and 309 of ADA Guidelines, when used with appropriately mounted controls installed at 15" to 48" above the floor and control access should not require reaching over a cooking appliance.

The following range hoods can work in an ADA Compliant situation when the range hood is wired to operate from a dedicated, standard electrical wall switch. To facilitate this application, share the information on the following pages with your electrician when preparing for the installation.

### **THIS PROCEDURE APPLIES TO THE FOLLOWING RANGE HOOD SERIES**

**Broan Series:** BCS3, BCSD, BCSEK, BKSA, BKSF, BNSC, BQSEN, BQSJ, CLSC, CRSA and CRSF

**NuTone Series:** AHSA, AVSF, NCS3, NCSEK, NKSA and NQSEN

# ADA HIGH VOLTAGE WIRING INSTRUCTIONS FOR SINGLE BLOWER RANGE HOODS WITH ROCKER SWITCH CONTROL

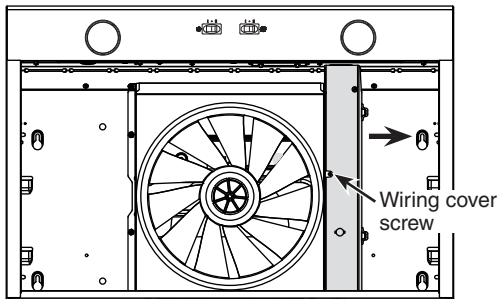
## ⚠ WARNING

**For residential (domestic) installation only. Before proceeding, switch power off at service panel and lock service disconnecting means to prevent power from being switched on accidentally. Installation work and electrical wiring must be done by qualified person(s) in accordance with all applicable codes and standards, including fire-rated construction codes and standards. Also, it is recommended to wear safety glasses and gloves.**

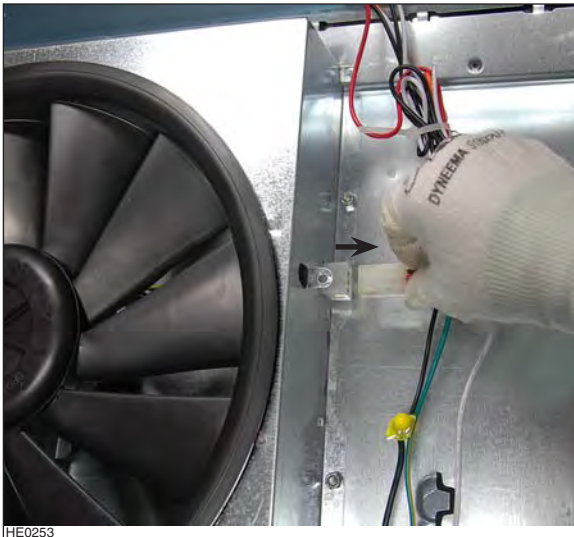
### ACCESS TO RANGE HOOD CONTROL PANEL CONNECTIONS

NOTE: The illustrations in this procedure are generic; some hood details may slightly differ from the hood you have on hand but the procedure itself applies to all single blower range hoods listed in this document (see page 3).

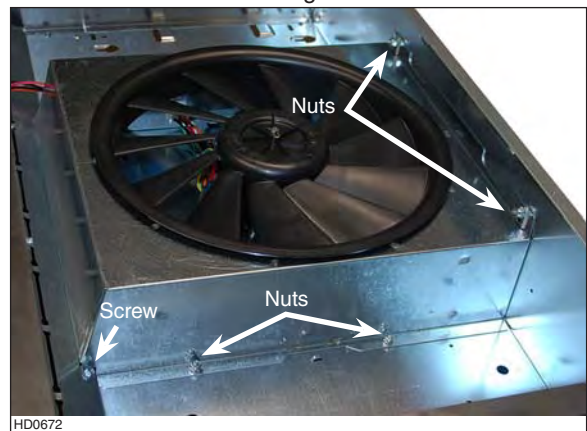
- 1 Remove filters from the hood and set them aside.  
NOTE: Some models have only one filter.
- 2 Remove the wiring cover (shaded part on illustration below) retaining screw. Slide out the wiring cover from the hood and set it aside with its screw.



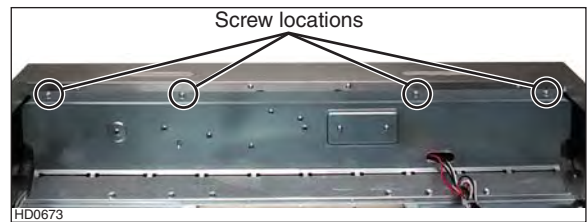
- 3 Unplug the blower connector from the main harness.



- 4 Using a 11/32" socket, remove the 6 nuts retaining the blower chamber to the hood assembly (2 nuts on inner back and 2 other nuts per sides), then use a Phillips no. 2 screwdriver to remove both front corner screws. See picture below for nuts and screws locations. Pull out the blower chamber from the hood assembly and set it aside with its retaining screws and nuts.



- 5 Remove and set aside the 4 front screws retaining the bent plate to the hood.



- 6 Fold back the bent plate to access to control panel connections.



## CAUTION

**Use standard switches that are rated 120 VCA, 15 A. Only use wires suitable for at least 90°C (194°F). Ensure the wires are reliably routed away from the halogen lights (if present).**

According to your needs, there are 2 ways to wire a 2-rocker switch control to these range hoods: 120 VAC power cable entering the range hood or 120 VAC power cable entering the switch box.

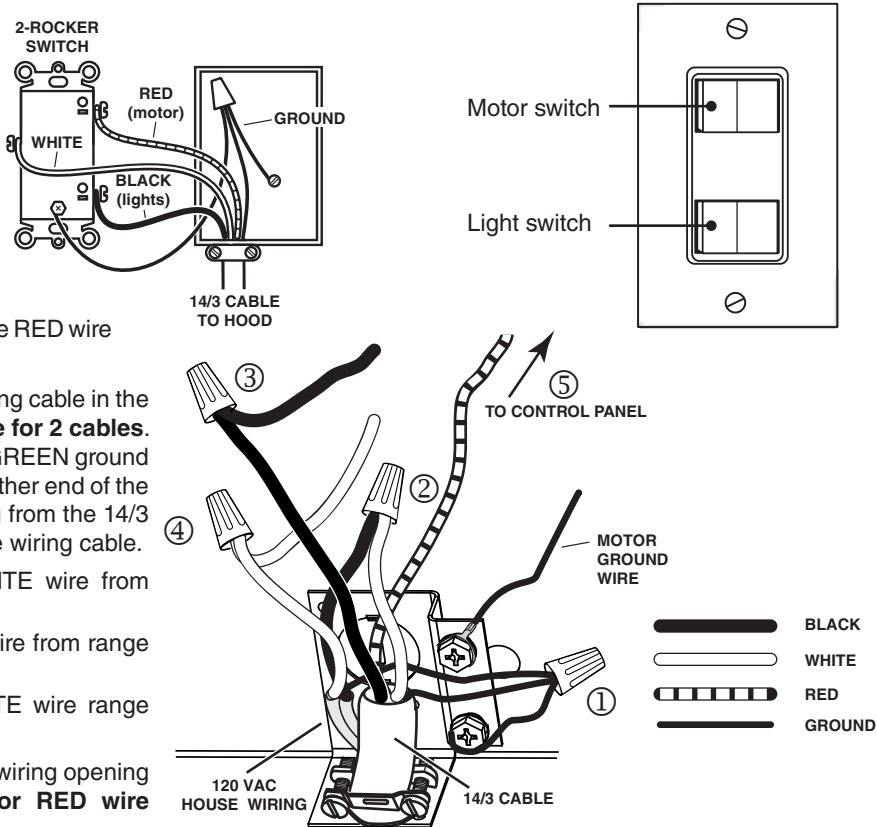
### 120 VAC POWER CABLE ENTERING THE HOOD

Install a 2-rocker switch at a convenient place for the user. Use a 14/3 cable to wire it to the range hood (see diagram at right).

NOTE: Code requires both ends of WHITE wire insulation to be colored; use a permanent marker.

NOTE: Allow enough length of 14/3 cable to perform the RED wire connection in the hood nose.

- ① Insert the 14/3 cable along with the 14/2 house wiring cable in the hood through an UL approved wire clamp, **suitable for 2 cables**. Add a GROUND wire and connect one end to the GREEN ground screw. Use an appropriate wire nut to connect the other end of the added GROUND wire with the ground wire coming from the 14/3 cable and the ground wire coming from 14/2 house wiring cable.
- ② Connect BLACK wire from house wiring to WHITE wire from 14/3 cable using an appropriate wire nut.
- ③ Connect BLACK wire from 14/3 cable to BLACK wire from range hood wiring using an appropriate wire nut.
- ④ Connect WHITE wire from house wiring to WHITE wire range hood wiring using an appropriate wire nut.
- ⑤ Run RED wire from 14/3 cable through bend plate wiring opening for hood control connection. **See next page for RED wire connection.**

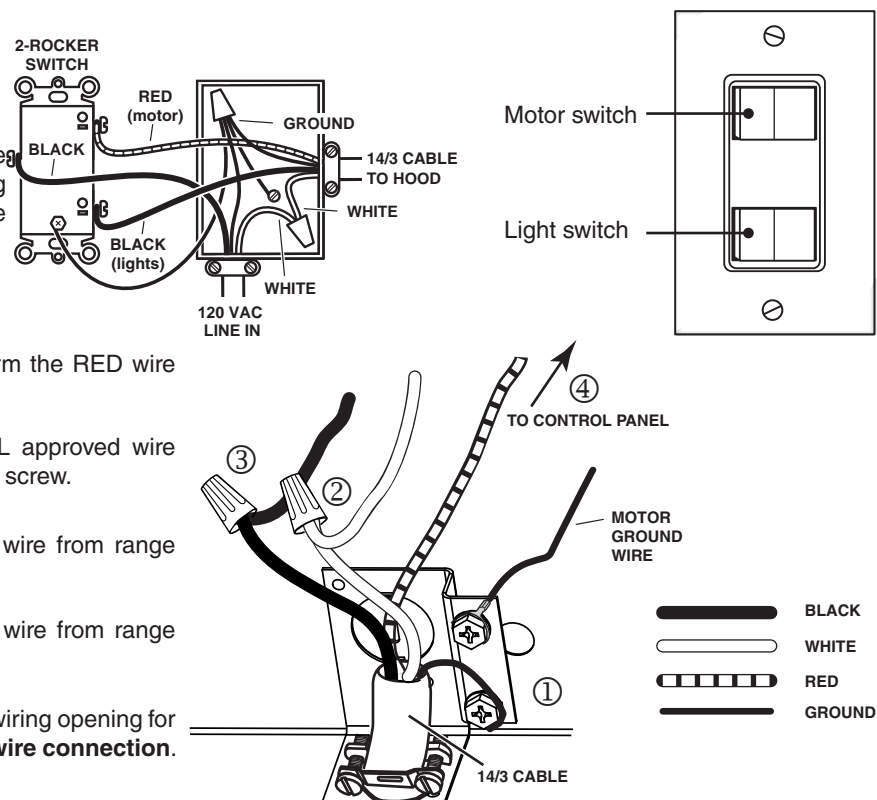


### 120 VAC POWER CABLE ENTERING THE SWITCH

Install a 2-rocker switch at a convenient place for the user. Feed the switch box with 120 VAC house wiring and use a 14/3 cable to wire it to the range hood (see diagram at right).

NOTE: Allow enough length of 14/3 cable to perform the RED wire connection in the hood nose.

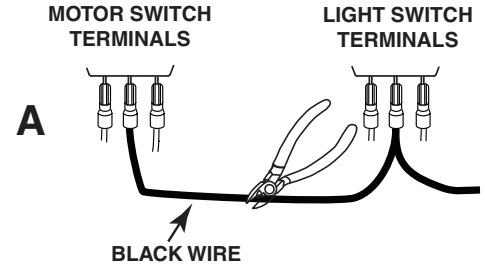
- ① Insert the 14/3 cable in the hood through an UL approved wire clamp. Connect ground wire to the GREEN ground screw.
- ② Connect WHITE wire from 14/3 cable to WHITE wire from range hood wiring using an appropriate wire nut.
- ③ Connect BLACK wire from 14/3 cable to BLACK wire from range hood wiring using an appropriate wire nut.
- ④ Run RED wire from 14/3 cable through bend plate wiring opening for hood control connection. **See next page for RED wire connection.**



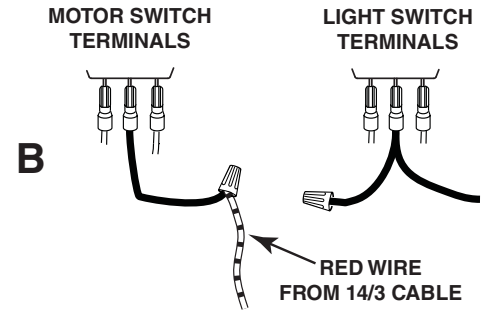
## RED WIRE CONNECTION

NOTE: The light switch in rocker switch controls differs from models to others; some light switch have 2 terminals while others have 3 terminals. The illustrations below applies to both light switch models.

**A** Cut the BLACK wire that is connected to motor switch and light switch.

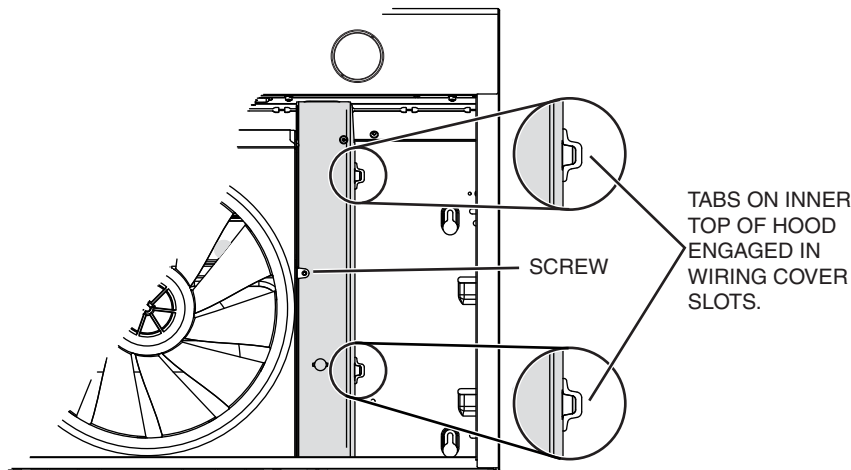


**B** Cap off the BLACK wire connected to the light switch terminal. Connect the RED wire from 14/3 cable to the BLACK wire from the motor switch, using an appropriate wire nut.



Once all the connections are done, finalize the installation by reversing steps ⑥ to ① on first page.

NOTE: Be careful while reinstalling wiring cover to the hood.



### CAUTION

Ensure both tabs on inner top of hood are engaged in their corresponding slots in wiring cover. Also, take care not to pinch wires while reinstalling wiring cover.

#### LIST OF SINGLE BLOWER RANGE HOODS COMPATIBLE WITH THIS PROCEDURE

Broan Series: BCS3, BCSD, BCSEK, BKSA, BKSF, BNSC, BQSEN, BQSJ, CLSC, CRSA and CRSF

NuTone Series: AHSA, AVSF, NCS3, NCSEK, NKSA and NQSEN

Venmar Chef Series: VCQSEN

Venmar Bistro Series: VBNSA